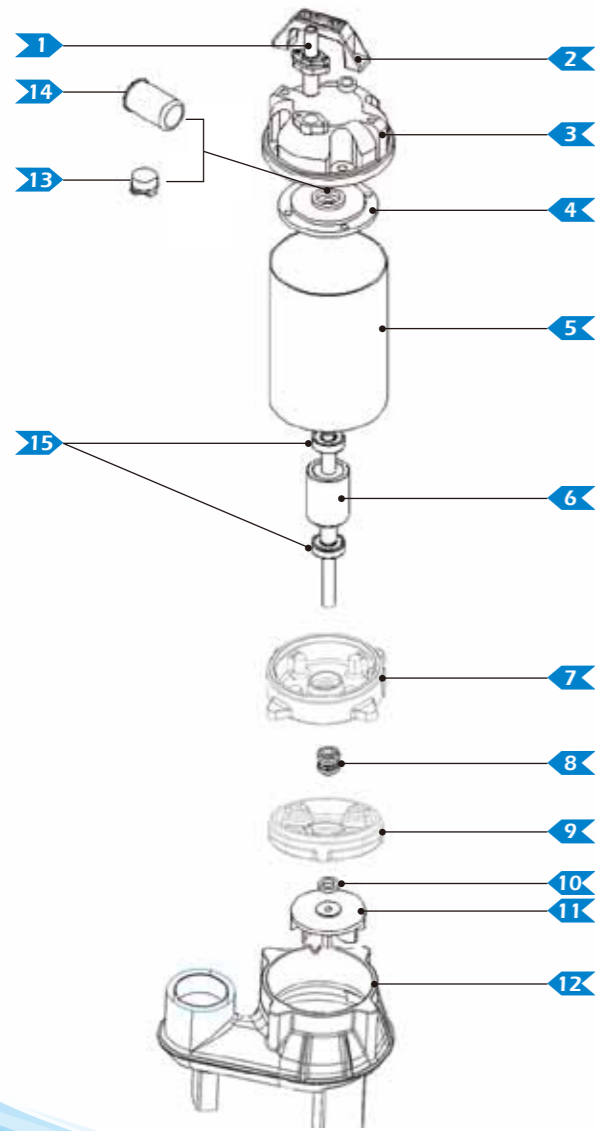


# Hippo-Series

## 2" Full-Passage Submersible Pump



Parts and Material List		
No	Part	Material
1	Cable	H07RNF
2	Handle	Nylon 6
3	Motor Cover	0.5~1HP : Nylon 66 1.5~2HP : FC-200
4	Bracket	FC-200
5	Motor Housing	SUS-304
6	Rotor & Shaft	SUS-410
7	Oil Chamber	FC-200
8	Double Mech. Seal	CA/CE+SIC/SIC
9	Seal Housing	FC-200
10	Oil Seal	NBR
11	Impeller	FC-200
12	Pump Volute	FC-200
13	Protector	Klixon
14	Capacitor(Single Phase Only)	
15	Bearing	NTN





**Characteristics**

- > Recess vortex impeller
- > GAS 2" discharge
- > 2" (50mm) solid free-passage
- > 2 poles - 1/2HP~2HP perfect performance
- > EKK-Burgmann silicon double mech. seal
- > Stainless steel motor housing

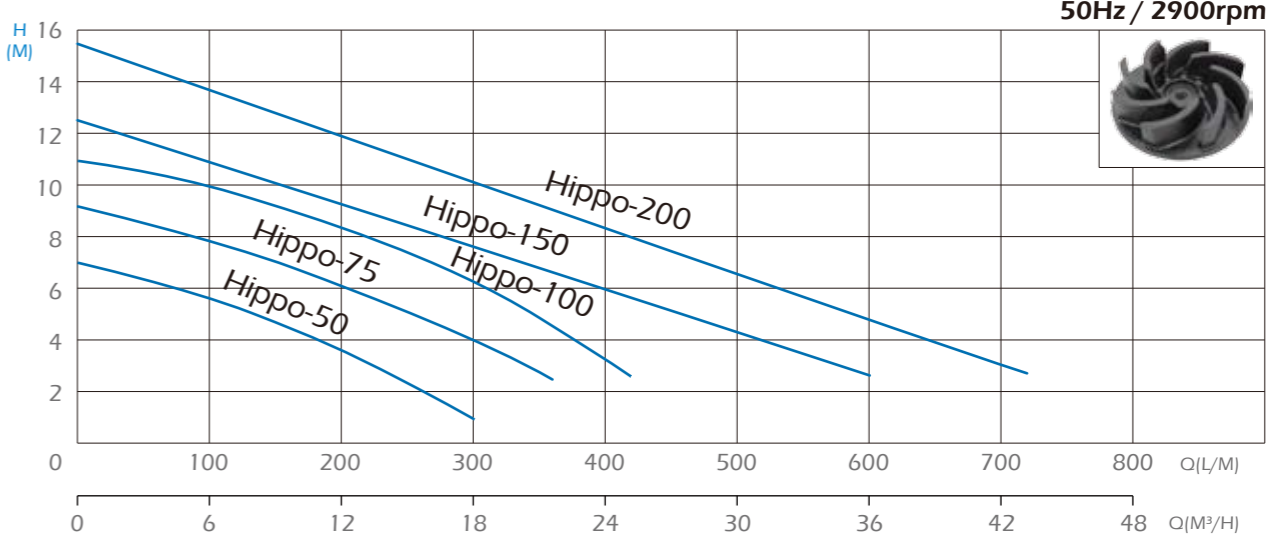
**Application**

- > For heavy-duty applications with soiled biological wastewaters, sewage, rainwater
- > For both domestic and professional use

**Operating Limits**

- > Maximum operating temperature : 40°C
- > Viscosity of treated fluid : 1mm<sup>2</sup>/s
- > Maximum immersion depth : 10m
- > Density of treated fluid : 1kg/dm<sup>3</sup>
- > Max starts per hour : 20

**Performance Curve**

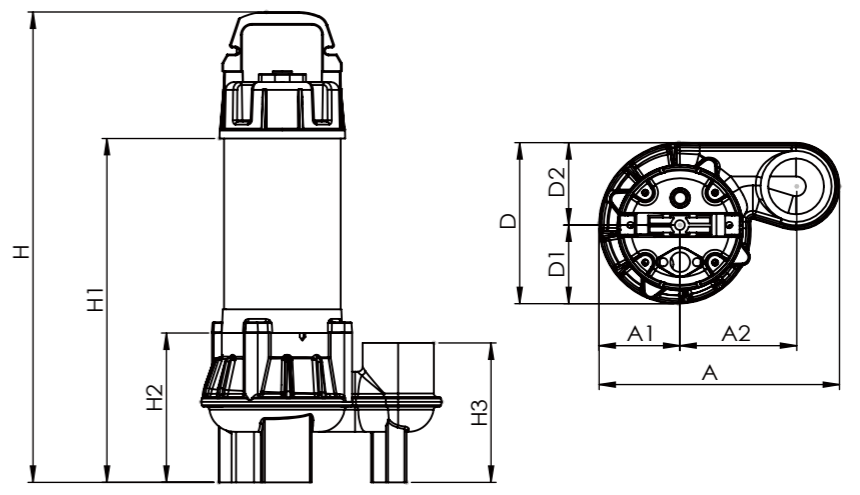


Performances														
Type	Q L/S	0	1	2	3	4	5	6	7	8	9	10	11	12
	Q L/M	0	60	120	180	240	300	360	420	480	540	600	660	720
	Q M³/H	0	3.6	7.2	10.8	14.4	18	21.6	25.2	28.8	32.4	36	39.6	43.2
Hippo-50	H[m]	7.1	6.2	5.3	4.2	2.8	1.0							
Hippo-75		9.2	8.4	7.6	6.6	5.4	4.0	2.5						
Hippo-100		11.0	10.4	9.6	8.8	7.6	6.2	4.4	2.5					
Hippo-150		12.5	11.6	10.7	9.9	8.9	7.8	6.7	5.6	4.6	3.6	2.6		
Hippo-200		15.5	14.5	13.5	12.4	11.3	10.2	9.1	7.9	6.9	5.8	4.8	3.7	2.7

Specifications										
Type	Output		Discharge	Voltage		Pole	Amp			Weight
	HP	kw		1 Phase	3 Phase		1 Phase 230V	3 Phase 380V	3 Phase 400V	
Hippo-50	0.5	0.37	2"	230	380/400	2	3.4	1.2	1.1	14
Hippo-75	0.75	0.55	2"	230	380/400	2	5.8	1.7	1.6	16
Hippo-100	1	0.75	2"	230	380/400	2	6.5	2.3	2.2	17
Hippo-150	1.5	1.1	2"	230	380/400	2	9	3.0	2.9	25
Hippo-200	2	1.5	2"	230	380/400	2	12	3.5	3.4	26

\* Equipped 10M H07RNF cable  
\* Single phase can be equipped with float switch

**Dimensions**



Dimensions (mm)										
Type	A	A1	A2	D	D1	D2	H	H1	H2	H3
Hippo-50	244	82	118	164	80	84	460	330	151	141
Hippo-75	244	82	118	164	80	84	482	352	151	141
Hippo-100	244	82	118	164	80	84	497	367	151	141
Hippo-150	271	93	135	186	88	98	506	376	151	143
Hippo-200	271	93	135	186	88	98	520	396	151	143

**KLIXON**



Thermal protector for 1 phase

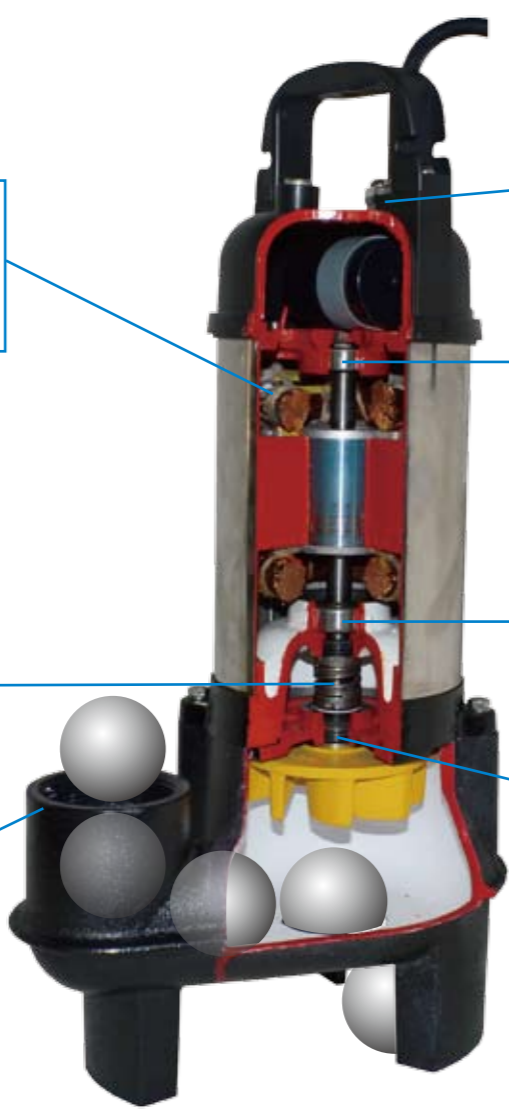


Overload protector for 3 phase



EKK-Burgmann silicon Double mech. seal

Pump volute 2" solid free-passage



Cable gland sys Water tight cable gland with Epoxy Potting



Long Life - Bearing (Japan NTN)



Oil Seal Extra protection for the leakage