



VERDERDOS & VERDERFLEX

Electromagnetic solenoid & peristaltic tube pumps
with control systems

**Accurate and
reliable dosing
pumps and systems**



We put our heart into pumps

A well-functioning pump helps you succeed. That applies certainly to the most important pump in life, the human heart, but the same goes for pumps in business. At Verder, all energy and attention is focused on improving the quality and performance of our pumps and our service. We do so with energy, dedication and - most importantly - with our heart.

VERDER – PASSION FOR PUMPS

Verderdos & Verderflex

Solenoid dosing pumps & peristaltic dosing pumps and dosing systems

Verder has been established in the manufacture and sales of pumps for 55 years. In this time, Verder has become an excellent provider to key markets such as clean and waste water treatment, food processing and the environmental industries. Verder specializes in positive displacement pumps.



Recently the Verder pump program extended with two exciting new ranges: Verderdos VE & Verderflex VP.

In this brochure we present a selection that we consider our standard program. However, we create any pump that needs to meet your dosing specifications.

The ranges consist of electromagnetic solenoid pumps and peristaltic tube pumps with built-in controls. A range of professional instruments and an extended program of accessories complete this dosing program.

These pumps are ideal pumps for precise dosing in many applications where accuracy is crucial. All products are CE certified. Recommended applications include water treatment, chemical dosing, cleaning/hygiene, vending machines, bottle filling and other OEM applications.

Verder engineers are always seeking to further improve the user-friendliness and the accuracy of our dosing systems and panels through research and development in cooperation with our customers. In water treatment, Verderdos VE and Verderflex VP dosing pumps and systems are used for the dosing of chemicals to neutralize all kinds of polluted water.

**CUSTOM BUILT
DOSING PUMPS**



Chemical dosing is most often used for the treatment of sewage, as part of the anaerobic digestion process for making energy from organic waste and for cleaning industrial effluent to be returned to the natural water course. Typical applications include pH buffering, removing phosphates and the dosing of lime.

Verderdos VE and Verderflex VP industry sectors:

- Waste water
- Chemical feeding
- Municipalities
- Cleaning & hygiene
- Food & beverage
- Waste water treatment
- Disinfection
- Dairy
- Agriculture
- Cooling water

Benefits:

- Virtually wear-free drive (only 1 moving part)
- No lubrication on bearings or shafts
- Easy to maintain and to install
- Extremely low maintenance and repair costs
- Excellent flow characteristics




Content

Overview dosing pumps	<i>Verderdos</i>	6
Solenoid metering pumps pump key	<i>Verderdos</i>	7
VE1-C solenoid dosing pump	<i>Verderdos</i>	8
VE1-I solenoid dosing pump	<i>Verderdos</i>	10
VE1-MA solenoid dosing pump	<i>Verderdos</i>	12
VE1-pH solenoid dosing pump	<i>Verderdos</i>	14
VE1-Rx solenoid dosing pump	<i>Verderdos</i>	16
VE3-MF multifunction solenoid metering pump	<i>Verderdos</i>	18
VE3 pH or Redox dosing pump	<i>Verderdos</i>	20
VE3-CL Solenoid Chlorine dosing pump	<i>Verderdos</i>	22
Overview dosing pumps	<i>Verderflex</i>	24
Peristaltic tube pump key	<i>Verderflex</i>	25
VP1-Timer peristaltic dosing pump	<i>Verderflex</i>	26
VP2-B basic flow tube pump	<i>Verderflex</i>	28
VP2-R tube pump with flow rate control	<i>Verderflex</i>	30
VP2-PH peristaltic tube pump	<i>Verderflex</i>	32
VP2-RX peristaltic tube pump	<i>Verderflex</i>	34
VP Pro PH-RX tube dosing pump	<i>Verderflex</i>	36
VP-PRO mA peristaltic dosing pump	<i>Verderflex</i>	38
VP PRO CL peristaltic chlorine dosing pump	<i>Verderflex</i>	40
Control equipment	<i>Verderdos Verderflex</i>	42
Additional kits	<i>Verderdos Verderflex</i>	43

Overview

Verderdos dosing pumps

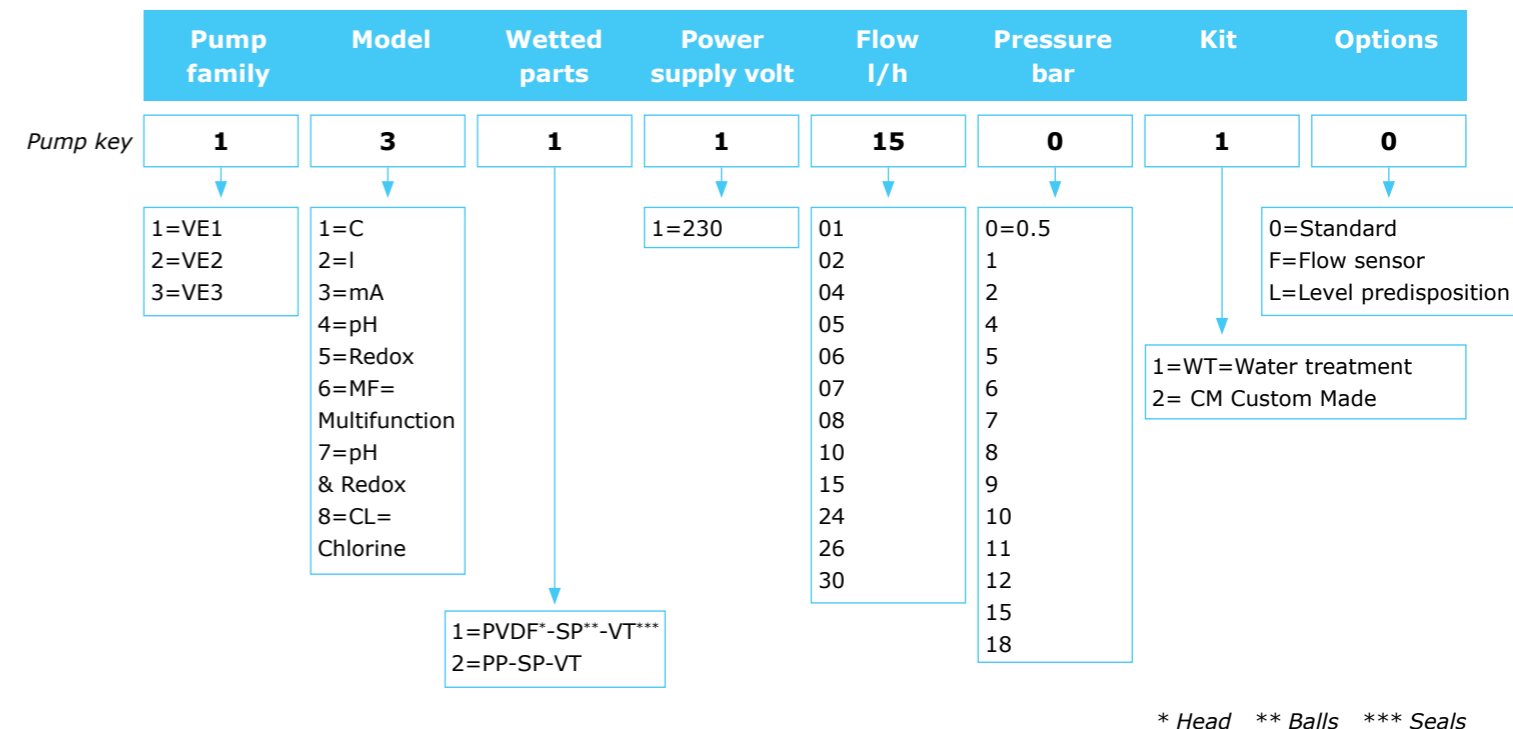
MODEL	VE
 <p>1 Basic</p>	<p>VE1-C</p> <ul style="list-style-type: none"> Manually adjustable, digital max 15 l/h potential free (non voltage) 0-180 pulses IP 65
 <p>2 Adjustable</p>	<p>VE1-I</p> <ul style="list-style-type: none"> Proportional dosing, non voltage with water meter max 15 l/h dosing function 1/n or 1xn multiple dosing function with memory IP 65
 <p>3 External regulation</p>	<p>VE1-mA</p> <ul style="list-style-type: none"> Proportional dosing, to an external mA signal max 15 l/h 0/4 - 20 mA external signal IP 65
 <p>3 External regulation</p>	<p>VE1-pH VE1-Redox</p> <ul style="list-style-type: none"> proportional dosing pump max flow 15 l/h digital adjustment built in controller suitable for pH/redox
 <p>4 Water treatment pro's</p>	<p>VE3-Multi Function</p> <ul style="list-style-type: none"> multi function advanced dosing pump/water meter max flow 24 l/h PPM 1/n, 1xn, 1xn +memory, 0/4 - 20 mA functions included over and under alarm Instant flow rate % visuallisation suitable for multiple functions such as 0/4 - 20 mA IP 65 <p>VE3-PH/RX</p> <ul style="list-style-type: none"> built in pH/Orp controller constant, ON/OFF, proportional over and under dose alarm Instant flow rate % visuallisation optional flow switch IP 65 <p>VE3-CL</p> <ul style="list-style-type: none"> built in chlorine controller with PPM on screen visualization constant, ON/OFF, proportional overdose alarm over and under measure alarm Instant flow rate % visuallisation optional flow switch IP 65

CUSTOM BUILT DOSING PUMPS

In this brochure we present a selection that we consider our standard program. However, we create any pump that meets your dosing specifications.

Verderdos VE

Solenoid metering pumps pump key



Example **VE1** **mA** **PVDF-SP-VT** **230** **15** **0.5** **WT** **0**

Name	measurement	Range	Body Material	Connection	Electrode lenght	Max. pressure bar	Max. temperature °C	Standard cable lenght
PRO-PH	pH	0-14 pH	Epoxy	BNC	125 mm	2	50	5 m
PRO-PH-C	pH	0-14 pH	Epoxy	BNC	80 mm	7	60	5 m
PRO-RX	Redox	+ -1500 mV	Epoxy	BNC	125 mm	2	50	5 m
PRO-RX-C	Redox	+ -1500 mV	Epoxy	BNC	80 mm	7	60	5 m
PRO-G	Redox	+ -2000 mV	Glass	S7	125 mm	2	80	-
PRO-G	pH	0-14 pH	Glass	S7	125 mm	2	80	-
PRO-P	Redox	+ -2000 mV	Epoxy	S7	125 mm	2	50	-
PRO-P	pH	0-14 pH	Epoxy	S7	125 mm	2	50	-
PRO-H	Redox	+ -2000 mV	Glass	S7	125 mm	6	130	-
PRO-H	pH	0-14 pH	Glass	S7	125 mm	6	130	-

Name	measurement	Range	Body material	Connection	Electrode composition	Max. pressure bar	Max. flow rate l/h	Sensor type
PRO-CG-CL3	Chlorine	0-10 PPM	Plexyglass	4X6 / 8X12	Platinum/copper	3	40	AMPEROMETRIC

Name	measurement	Range	Body material	Connection	Max. temperature °C
PRO-PT100P	Temperature	0-100 °C	PVC	No connection/BNC	70
PRO-PT100S	Temperature	0-100 °C	Pyrex	No connection/BNC	80

Verderdos

VE1-C solenoid dosing pump



Description

Digital solenoid pump with manual adjustable flow rate. Potential free, adjustable from 0 to 180 pulses per minute via touch controls. Easy to install and minimal maintenance required. Available as wall mounted pump or on foot.

Your benefits

- Protection class IP 65
- PVDF pump head with PTFE or FKM seals
- ON / OFF switch
- Standard SCHUKO plug included

Materials

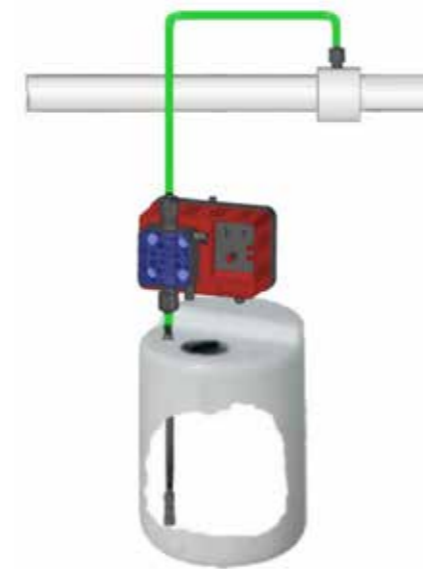
Materials	Standard	Optional
Pump head	PVDF	PP
Balls	Pyrex	Ceramics, PTFE, SS 316
Diaphragm	PTFE	-
Fittings	PVDF 1/2"	PP 1/2"
Seals	FPM	EPDM
Valve cartridges	PVDF 4 x 6	PP 4 x 6
Foot filter	PVDF 4 x 6 ball valve	PP 4 x 6 lip valve
Injection valve	PVDF 4 x 6 ball valve	PP 4 x 6 ball valve
Suction tube	PVC 4 x 6	PVDF
Delivery tube	PE 4 x 6	PVDF

	PTFE BALLS	SS 316 BALLS	PYREX BALLS	CERAMIC BALLS
Material	PTFE	SS 316	DURAN – PYREX	AL ² O ³
Hardness	60 (D)	1407160 HB	± 45 HRC	± 45 HRC
Specific weight	2.10 g/cm ³	8.02 g/cm ³	2.23 g/cm ³	3.90 g/cm ³
Description	Resistant to most of oxidizing chemicals, inorganic salt solutions, hydrocarbons. Non-conductive.	Spheres with resistance to corrosion caused by chemical solutions oxidants, organic chemicals, sterile solutions, mineral water and sea water, ammonia, salt air, etc.	Spheres with excellent chemical inertness to most acids. Excellent for use in metering pumps and valves in contact with strong oxidizing concentrations.	Resistant to most corrosive agents. Not recommended for use with hydrochloric acid and hydrofluoric acid solutions. Maximum abrasion resistance.

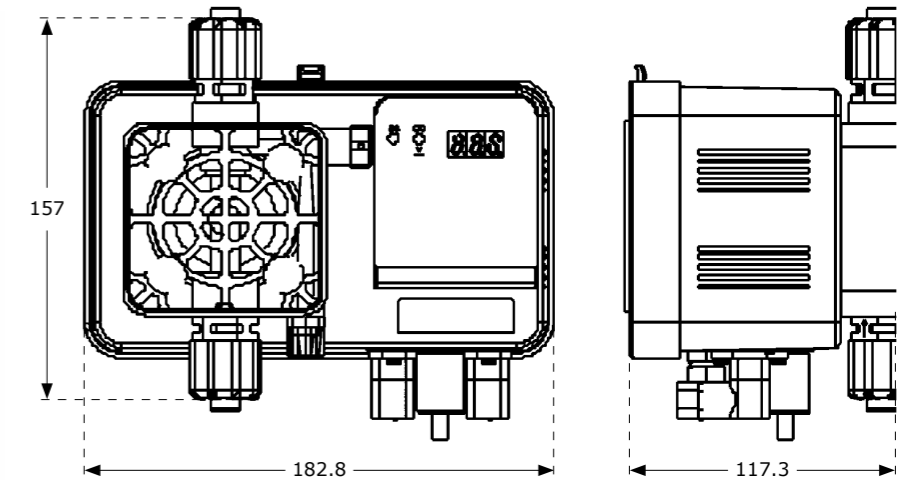
Technical data

	Max l/h	Pressure bar	Max cc	Max operating temp °C	Stroke mm	Solenoid ø	pump head material	Power c Watt	Pulses ppm	Weight kg
1.5 - 12	1.5	12	0.14	65	0.9	80	PVDF	50	180	3.5
02 - 11	2	11	0.18	65	0.9	80	PVDF	50	180	3.5
04 - 09	4	9	0.37	65	0.9	80	PVDF	50	180	3.5
05 - 08	5	8	0.46	65	1.1	80	PVDF	50	180	3.5
07 - 05	7	5	0.65	65	1.1	80	PVDF	50	180	3.5
08 - 04	8	4	0.74	65	1.3	80	PVDF	50	180	3.5
10 - 02	10	2	0.92	65	1.3	80	PVDF	50	180	3.5
15 - 0.5	15	0.5	1.39	65	1.3	80	PVDF	50	180	3.5

Dosing Group



Dimensions (in mm)



Standard installation kit

Injection valve	PVDF foot filter with ball valve	Delivery tube 2 m PE 4x6	Suction tube 2 m PVC 4x6	Bleed tube 1.5 m PVC 4x6

Accessories

- Probes (ph/Redox/Chlorine Cells)
- Probe holders
- Suction lances
- Mixers
- Tanks & bunds
- Water Meters

Verderdos

VE1-I solenoid dosing pump



Description

The Verderdos solenoid diaphragm dosing pump, model VE1-I is especially suitable for accurate and reliable dosing of chemicals in water treatment applications. The "I" version is an electromagnetic dosing pump, that is pumping proportional from pulses received from a water meter. Dosing function 1/n or 1xn, multiple dosing with memory function. Free programmable. Protection class IP 65. Available as wall mounted pump or on foot.

Your benefits

- Digital proportional flow rate dosing pump to an external pulse device
- Dual working mode, either constant or with 1 to 180 pulse per minute regulation
- 1/n or 1xn multiplier function
- Easy to install and maintain
- Digital display
- Standard PVDF wetted parts to assure best chemical resistance
- Standard supplied with SCHUKO plug
- On/off switch

Materials

Materials	Standard	Optional
Pump head	PVDF	PP
Balls	Pyrex	Ceramics, PTFE, SS 316
Diaphragm	PTFE	-
Fittings	PVDF 1/2"	PP 1/2"
Seals	FPM	EPDM
Valve cartridges	PVDF 4 x 6	PP 4 x 6
Foot filter	PVDF 4 x 6 ball valve	PP 4 x 6 lip valve
Injection valve	PVDF 4 x 6 ball valve	PP 4 x 6 ball valve
Suction tube	PVC 4 x 6	PVDF
Delivery tube	PE 4 x 6	PVDF

Optional

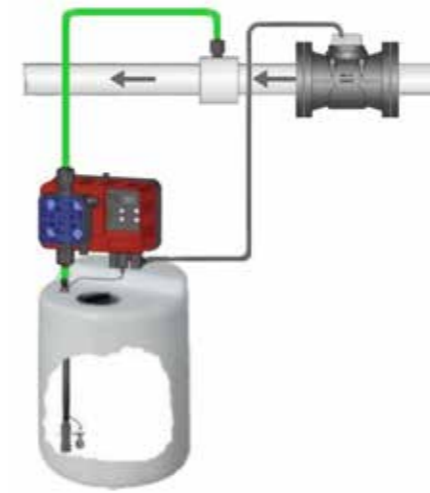
- Level Switch

	PTFE BALLS	SS 316 BALLS	PYREX BALLS	CERAMIC BALLS
Material	PTFE	SS 316	DURAN – PYREX	AL ² O ³
Hardness	60 (D)	1407160 HB	± 45 HRC	± 45 HRC
Specific weight	2.10 g/cm ³	8.02 g/cm ³	2.23 g/cm ³	3.90 g/cm ³
Description	Resistant to most of oxidizing chemicals, inorganic salt solutions, hydrocarbons. Non-conductive.	Spheres with resistance to corrosion caused by chemical solutions oxidants, organic chemicals, sterile solutions, mineral water and sea water, ammonia, salt air, etc.	Spheres with excellent chemical inertness to most acids. Excellent for use in metering pumps and valves in contact with strong oxidizing concentrations.	Resistant to most corrosive agents. Not recommended for use with hydrochloric acid and hydrofluoric acid solutions. Maximum abrasion resistance.

Technical data

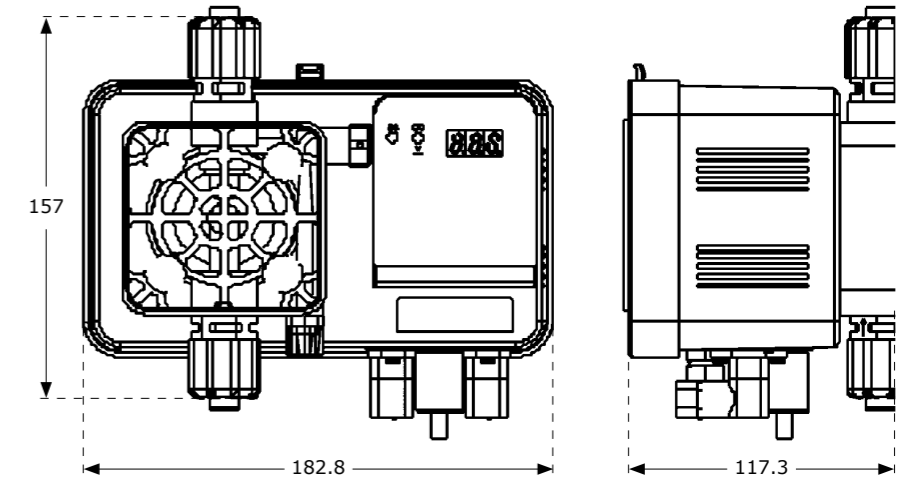
	Max l/h	Pressure bar	Max cc	Max operating temp °C	Stroke mm	Solenoid ø	pump head material	Power c Watt	Pulses ppm	Weight kg
1.5 - 12	1.5	12	0.14	65	0.9	80	PVDF	50	180	3.5
02 - 11	2	11	0.18	65	0.9	80	PVDF	50	180	3.5
04 - 09	4	9	0.37	65	0.9	80	PVDF	50	180	3.5
05 - 08	5	8	0.46	65	1.1	80	PVDF	50	180	3.5
07 - 05	7	5	0.65	65	1.1	80	PVDF	50	180	3.5
08 - 04	8	4	0.74	65	1.3	80	PVDF	50	180	3.5
10 - 02	10	2	0.92	65	1.3	80	PVDF	50	180	3.5
15 - 0.5	15	0.5	1.39	65	1.3	80	PVDF	50	180	3.5

Dosing Group



Dimensions

(in mm)



Standard installation kit

Injection valve	PVDF foot filter with ball valve	Delivery tube 2 m PE 4x6	Suction tube 2 m PVC 4x6	Bleed tube 1.5 m PVC 4x6

Accessories

- Probes (ph/Redox/Chlorine Cells)
- Probe holders
- Suction lances
- Mixers
- Tanks & bunds
- Water Meters

Verderdos

VE1-MA solenoid dosing pump

Description

The Verderdos solenoid diaphragm dosing pump, model VE1-mA is especially suitable for accurate and reliable dosing of chemicals in water treatment applications and for the process industry. A wide range of accessories is available to measure, dose and control water treatment processes. Available as wall mounted pump or on foot.

Your benefits

- Proportional dosing pump to an external 0/4-20mA signal
- Flow: constant or pulse (1 - 180 ppm)
- Easy to install and maintain
- Standard PVDF wetted parts to assure best chemical resistance
- Standard supplied with SCHUKO plug
- On/off switch
- Protection glass IP 65

Materials

Materials	Standard	Optional
Pump head	PVDF	PP
Balls	Pyrex	Ceramics, PTFE, SS 316
Diaphragm	PTFE	-
Fittings	PVDF 1/2"	PP 1/2"
Seals	FPM	EPDM
Valve cartridges	PVDF 4 x 6	PP 4 x 6
Foot filter	PVDF 4 x 6 ball valve	PP 4 x 6 lip valve
Injection valve	PVDF 4 x 6 ball valve	PP 4 x 6 ball valve
Suction tube	PVC 4 x 6	PVDF
Delivery tube	PE 4 x 6	PVDF

Optional

- Level Switch

	PTFE BALLS	SS 316 BALLS	PYREX BALLS	CERAMIC BALLS
Material	PTFE	SS 316	DURAN – PYREX	AL ² O ³
Hardness	60 (D)	1407160 HB	± 45 HRC	± 45 HRC
Specific weight	2.10 g/cm ³	8.02 g/cm ³	2.23 g/cm ³	3.90 g/cm ³

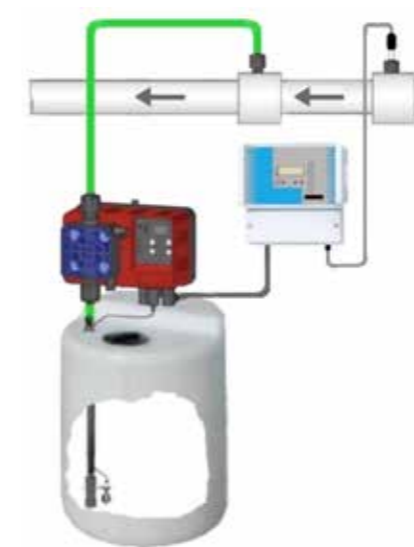
Description	PTFE BALLS	SS 316 BALLS	PYREX BALLS	CERAMIC BALLS
	Resistant to most of oxidizing chemicals, inorganic salt solutions, hydrocarbons. Non-conductive.	Spheres with resistance to corrosion caused by chemical solutions oxidants, organic chemicals, sterile solutions, mineral water and sea water, ammonia, salt air, etc.	Spheres with excellent chemical inertness to most acids. Excellent for use in metering pumps and valves in contact with strong oxidizing concentrations.	Resistant to most corrosive agents. Not recommended for use with hydrochloric acid and hydrofluoric acid solutions. Maximum abrasion resistance.

Technical data

	Max l/h	Pressure bar	Max cc	Max operating temp °C	Stroke mm	Solenoid ø	pump head material	Power c Watt	Pulses ppm	Weight kg
1.5 - 12	1.5	12	0.14	65	0.9	80	PVDF	50	180	3.5
02 - 11	2	11	0.18	65	0.9	80	PVDF	50	180	3.5
04 - 09	4	9	0.37	65	0.9	80	PVDF	50	180	3.5
05 - 08	5	8	0.46	65	1.1	80	PVDF	50	180	3.5
07 - 05	7	5	0.65	65	1.1	80	PVDF	50	180	3.5
08 - 04	8	4	0.74	65	1.3	80	PVDF	50	180	3.5
10 - 02	10	2	0.92	65	1.3	80	PVDF	50	180	3.5
15 - 0.5	15	0.5	1.39	65	1.3	80	PVDF	50	180	3.5

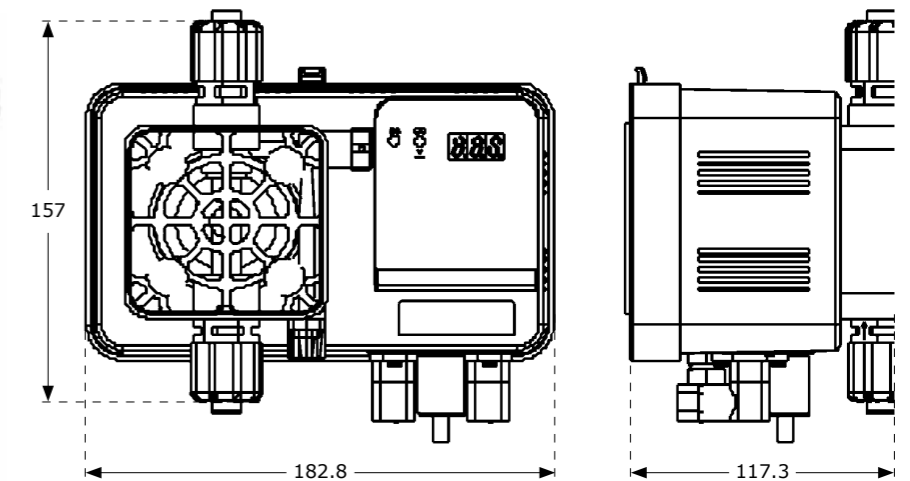


Dosing Group



Dimensions

(in mm)



Standard installation kit

Injection valve	PVDF foot filter with ball valve	Delivery tube 2 m PE 4x6	Suction tube 2 m PVC 4x6	Bleed tube 1.5 m PVC 4x6

Accessories

- Probes (ph/Redox/Chlorine Cells)
- Probe holders
- Suction lances
- Mixers
- Tanks & bunds
- Water Meters

Verderdos

VE1-pH solenoid dosing pump



Description

The VE1-pH is a proportional dosing pump, digital adjustable, with built in pH controller. The VE1-pH pump is excellent for the pH control in water treatment but also for swimming pools. Available as wall mounted pump or on foot.

Your benefits

- Automatic recognition of the efficiency of the pH probe.
- Alarm overdose built into the software to avoid the excess chemical in the tank
- Suitable for dispensing products pH+ and pH- (acidic and basic) from software
- Programmable in the entire range of pH 0 - 14
- Proportional range setting
- Definition of the number of pulses within the range of proportionality
- PVDF pump head, optional PP
- Manual bleed valve
- Protection glass IP 65
- SCHUKO plug
- On/off switch

Materials

Materials	Standard	Optional
Pump Head	PVDF	PP
Balls	Pyrex	Ceramics, PTFE, SS 316
Diaphragm	PTFE	-
Fittings	PVDF 1/2"	PP 1/2"
Seals	FPM	EPDM
Valve cartridges	PVDF 4 x 6	PP 4 x 6
Foot filter	PVDF 4 x 6 ball valve	PP 4 x 6 lip valve
Injection valve	PVDF 4 x 6 ball valve	PP 4 x 6 ball valve
Suction tube	PVC 4 x 6	PVDF
Delivery tube	PE 4 x 6	PVDF

Optional

- Consent to the dosage
- Level probe input enable to overdose alarm output

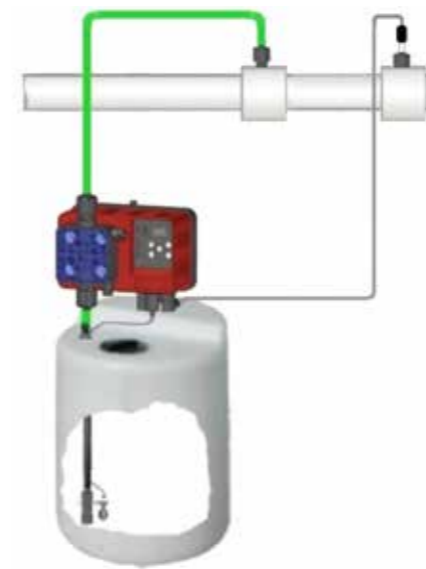
	PTFE BALLS	SS 316 BALLS	PYREX BALLS	CERAMIC BALLS
Material	PTFE	SS 316	DURAN – PYREX	AL ² O ³
Hardness	60 (D)	1407160 HB	± 45 HRC	± 45 HRC
Specific weight	2.10 g/cm ³	8.02 g/cm ³	2.23 g/cm ³	3.90 g/cm ³

Description	PTFE BALLS	SS 316 BALLS	PYREX BALLS	CERAMIC BALLS
	Resistant to most of oxidizing chemicals, inorganic salt solutions, hydrocarbons. Non-conductive.	Spheres with resistance to corrosion caused by chemical solutions oxidants, organic chemicals, sterile solutions, mineral water and sea water, ammonia, salt air, etc.	Spheres with excellent chemical inertness to most acids. Excellent for use in metering pumps and valves in contact with strong oxidizing concentrations.	Resistant to most corrosive agents. Not recommended for use with hydrochloric acid and hydrofluoric acid solutions. Maximum abrasion resistance.

Technical data

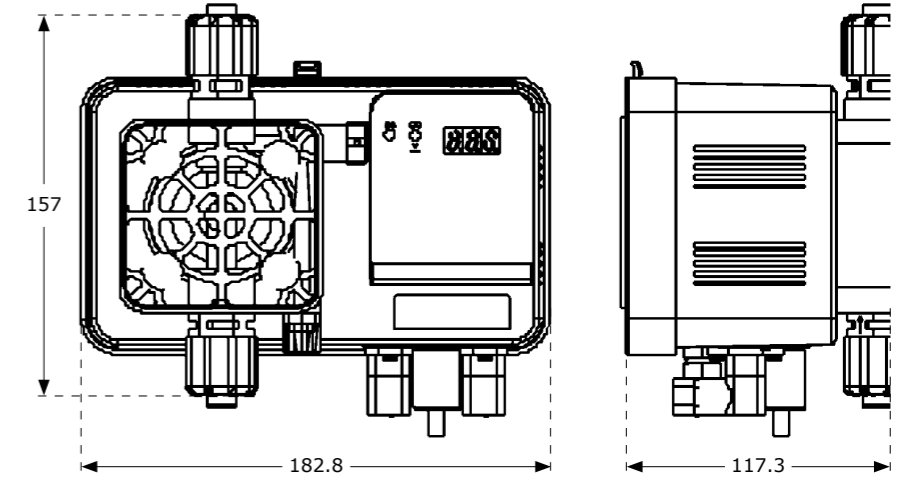
	Max l/h	Pressure bar	Max cc	Max operating temp °C	Stroke mm	Solenoid ø	pump head material	Power c Watt	Pulses ppm	Weight kg
1.5 - 12	1.5	12	0.14	65	0.9	80	PVDF	50	180	3.5
02 - 11	2	11	0.18	65	0.9	80	PVDF	50	180	3.5
04 - 09	4	9	0.37	65	0.9	80	PVDF	50	180	3.5
05 - 08	5	8	0.46	65	1.1	80	PVDF	50	180	3.5
07 - 05	7	5	0.65	65	1.1	80	PVDF	50	180	3.5
08 - 04	8	4	0.74	65	1.3	80	PVDF	50	180	3.5
10 - 02	10	2	0.92	65	1.3	80	PVDF	50	180	3.5
15 - 0.5	15	0.5	1.39	65	1.3	80	PVDF	50	180	3.5

Dosing Group



Dimensions

(in mm)



Standard installation kit

Injection valve	PVDF foot filter with ball valve	Delivery tube 2 m PE 4x6	Suction tube 2 m PVC 4x6	Bleed tube 1.5 m PVC 4x6

Accessories

- Probes (ph/Redox/Chlorine Cells)
- Probe holders
- Suction lances
- Mixers
- Tanks & bunds
- Water Meters

Verderdos

VE1-Rx solenoid dosing pump



Description

The VE1-Rx is a proportional dosing pump, digital adjustable, with built in Redox controller. The VE1-Rx pump is excellent for dispensing chlorine. Available as wall mounted pump or on foot.

Your benefits

- Automatic recognition of the efficiency of the pH probe
- Alarm overdose built into the software to avoid the excess chemical in the tank
- Suitable for dispensing chlorine oxidizing and deoxidizing products from software
- Programmable in the entire range of 0-999 mV Redox
- Proportional range setting
- Definition of the number of pulses within the range of proportionality
- PVDF pump head, optional PP
- Manual bleed valve
- Protection glass IP 65
- SCHUKO plug
- On/off switch

Materials

Materials	Standard	Optional
Pump Head	PVDF	PP
Balls	Pyrex	Ceramics, PTFE, SS 316
Diaphragm	PTFE	-
Fittings	PVDF 1/2"	PP 1/2"
Seals	FPM	EPDM
Valve cartridges	PVDF 4 x 6	PP 4 x 6
Foot filter	PVDF 4 x 6 ball valve	PP 4 x 6 lip valve
Injection valve	PVDF 4 x 6 ball valve	PP 4 x 6 ball valve
Suction tube	PVC 4 x 6	PVDF
Delivery tube	PE 4 x 6	PVDF

Optional

- Consent to the dosage
- Level probe input alternative to overdose alarm output

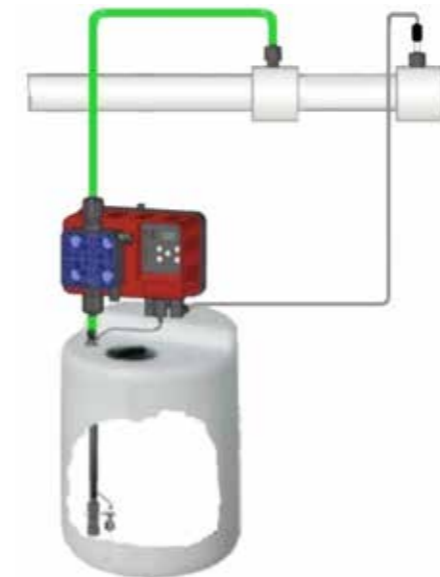
	PTFE BALLS	SS 316 BALLS	PYREX BALLS	CERAMIC BALLS
Material	PTFE	SS 316	DURAN – PYREX	AL ² O ³
Hardness	60 (D)	1407160 HB	± 45 HRC	± 45 HRC
Specific weight	2.10 g/cm ³	8.02 g/cm ³	2.23 g/cm ³	3.90 g/cm ³

Description	PTFE BALLS	SS 316 BALLS	PYREX BALLS	CERAMIC BALLS
	Resistant to most of oxidizing chemicals, inorganic salt solutions, hydrocarbons. Non-conductive.	Spheres with resistance to corrosion caused by chemical solutions oxidants, organic chemicals, sterile solutions, mineral water and sea water, ammonia, salt air, etc.	Spheres with excellent chemical inertness to most acids. Excellent for use in metering pumps and valves in contact with strong oxidizing concentrations.	Resistant to most corrosive agents. Not recommended for use with hydrochloric acid and hydrofluoric acid solutions. Maximum abrasion resistance.

Technical data

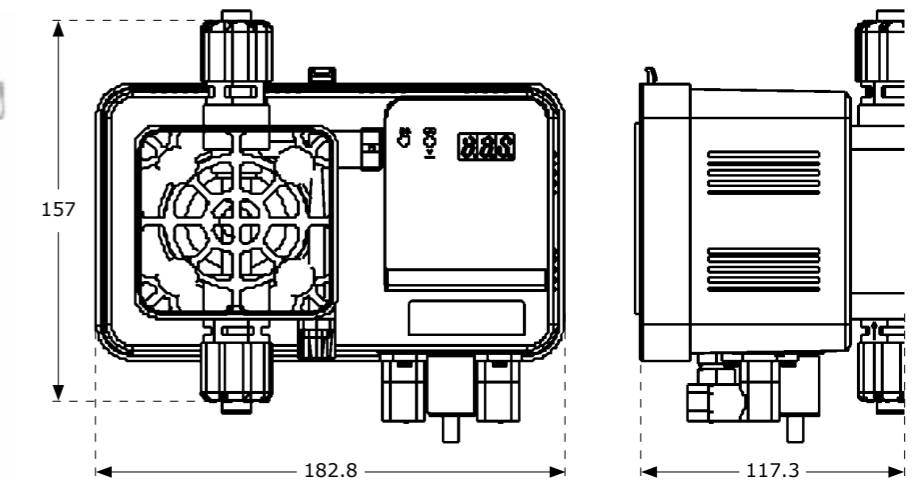
	Max l/h	Pressure bar	Max cc	Max operating temp °C	Stroke mm	Solenoid ø	pump head material	Power c Watt	Pulses ppm	Weight kg
1.5 - 12	1.5	12	0.14	65	0.9	80	PVDF	50	180	3.5
02 - 11	2	11	0.18	65	0.9	80	PVDF	50	180	3.5
04 - 09	4	9	0.37	65	0.9	80	PVDF	50	180	3.5
05 - 08	5	8	0.46	65	1.1	80	PVDF	50	180	3.5
07 - 05	7	5	0.65	65	1.1	80	PVDF	50	180	3.5
08 - 04	8	4	0.74	65	1.3	80	PVDF	50	180	3.5
10 - 02	10	2	0.92	65	1.3	80	PVDF	50	180	3.5
15 - 0.5	15	0.5	1.39	65	1.3	80	PVDF	50	180	3.5

Dosing Group



Dimensions

(in mm)



Standard installation kit

Injection valve	PVDF foot filter with ball valve	Delivery tube 2 m PE 4x6	Suction tube 2 m PVC 4x6	Bleed tube 1.5 m PVC 4x6

Accessories

- Probes (ph/Redox/Chlorine Cells)
- Probe holders
- Suction lances
- Mixers
- Tanks & bunds
- Water Meters

Verderdos

VE3-MF multifunction solenoid metering pump



Description

Electromagnetic digital dosing and metering pump through water meter and with several function modes. Available as wall mounted pump or on foot.

Features

- Constant mode %
- Division impulse 1/n, 1xn (+memory)
- proportional to a 0/4-20 mA signal (programmable for the complete mA scale)
- PPM
- Overdose alarm, set by software
- Starting time delay setting
- LED programming and display
- PP body reinforced with fiber glass for better chemical resistance
- IP 65 protection
- Instant flow rate % visualization
- On/off switch
- Supplied with SCHUKO plug

Materials

Material selection Pump head	Standard	Optional
Standard flow model	PVDF	PP
High flow model	PVC	-
High pressure model	PVDF	-
Material		
Balls	Pyrex	Ceramic, PTFE, SS 316
Diaphragm	PTFE	-
Fittings	PVDF 1/2"	PP 1/2"
Seals	FPM	EPDM
Valve cartridges	PVDF 4 x 6	PP 4 x 6
Foot filter	PVDF 4 x 6 ball valve	PP 4 x 6 lip valve
Injection valve	PVDF 4 x 6 ball valve	PP 4 x 6 ball valve
Suction tube	PVC 4 x 6	PVDF
Delivery tube	PE 4 x 6	PVDF

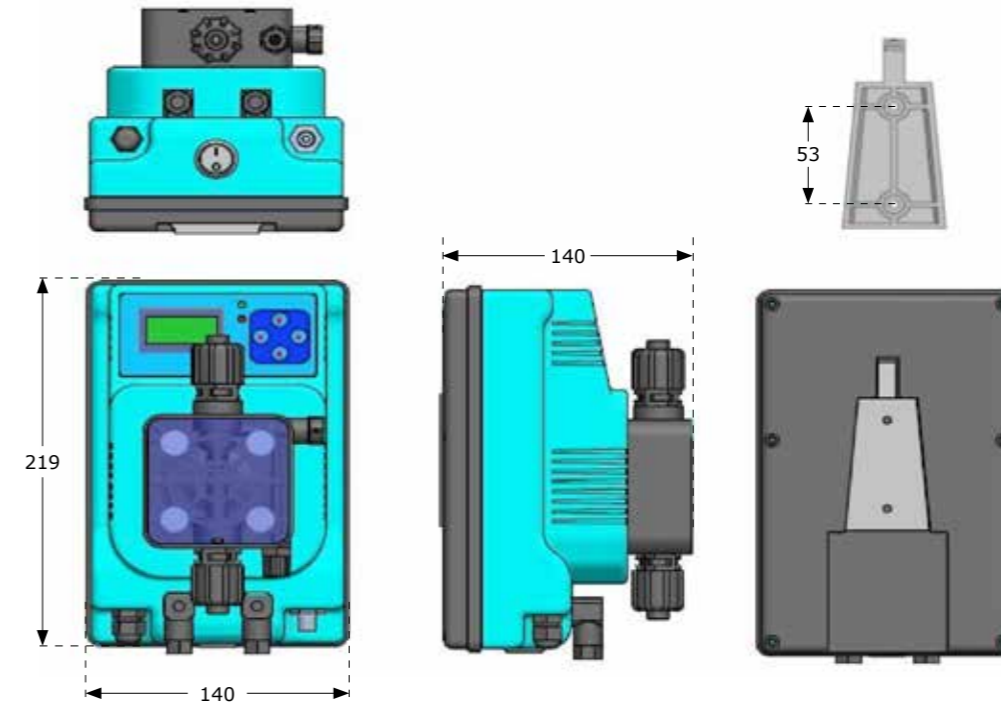
	PTFE BALLS	SS 316 BALLS	PYREX BALLS	CERAMIC BALLS
Material	PTFE	SS 316	DURAN – PYREX	AL ² O ³
Hardness	60 (D)	1407160 HB	± 45 HRC	± 45 HRC
Specific weight	2.10 g/cm ³	8.02 g/cm ³	2.23 g/cm ³	3.90 g/cm ³
Description	Resistant to most of oxidizing chemicals, inorganic salt solutions, hydrocarbons. Non-conductive.	Spheres with resistance to corrosion caused by chemical solutions oxidants, organic chemicals, sterile solutions, mineral water and sea water, ammonia, salt air, etc.	Spheres with excellent chemical inertness to most acids. Excellent for use in metering pumps and valves in contact with strong oxidizing concentrations.	Resistant to most corrosive agents. Not recommended for use with hydrochloric acid and hydrofluoric acid solutions. Maximum abrasion resistance.

Technical data

	Flow max l/h	Pressure bar	Max cc	Max operating temp °C	Stroke mm	Solenoid ø mm	Body pump material	Power c Watt	Pulses ppm	Weight kg
Standard flow model										
10-02	10	2	1.11	65	1.3	80	PVDF	60	150	3.5
05-10	5	10	0.55	65	1.1	80	PVDF	60	150	3.5
04-12	4	12	0.44	65	0.9	80	PVDF	60	150	3.5
High flow model										
24-01	24	1	3.34	65	2.2	90	PVC	60	150	4
22-02	22	2	2.89	65	2.2	90	PVC	60	150	4
High pressure model										
03-15	3	15	0.33	65	1.4	90	PVDF	60	150	4
02-18	2	18	0.22	65	1.4	90	PVDF	60	150	4

Dimensions

(in mm)



Optional

- Level probe input

Standard installation kit

Injection valve	PVDF foot filter with ball valve	Delivery tube 2 m PE 4x6	Suction tube 2 m PVC 4x6	Bleed tube 1.5 m PVC 4x6

Accessories

- Probes (ph/Redox/Chlorine Cells)
- Probe holders
- Suction lances
- Mixers
- Tanks & bunds
- Water Meters

Verderdos

VE3 pH or Redox dosing pump



Description

Electromagnetic, digital proportional dosing pump for the control of pH or Redox (pH or Redox needs to be defined). Available as wall mounted pump or on foot.

Features

- ↳ built in pH/Orp control
- ↳ Control range: pH or mV (Orp) directly from the pump's program
- ↳ Function mode: Constant, ON/OFF, Proportional
- ↳ TAL protection system from overdosing
- ↳ Programmable start delay
- ↳ Flow control
- ↳ LED programming and display
- ↳ IP 65 protection
- ↳ Over range and under range signal
- ↳ Flow indication in % instant by instant
- ↳ On/off switch
- ↳ Supplied with SCHUKO plug

Materials

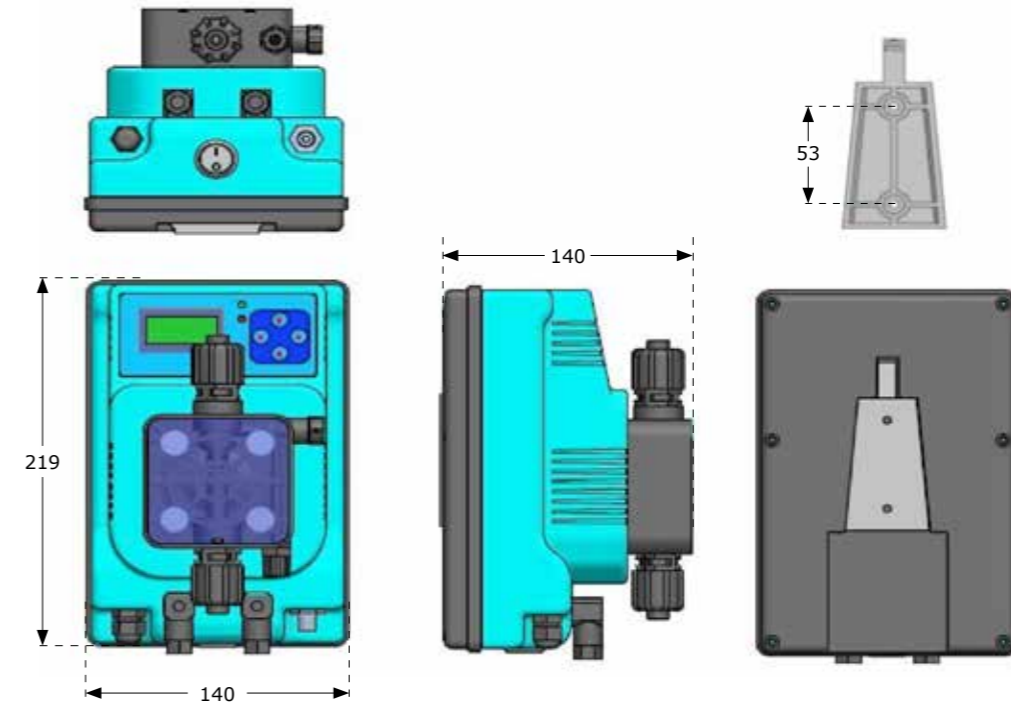
Material selection Pump head	Standard	Optional
Standard flow model	PVDF	PP
High flow model	PVC	-
High pressure model	PVDF	-
Material		
Balls	Pyrex	Ceramic, PTFE, SS 316
Diaphragm	PTFE	-
Fittings	PVDF 1/2"	PP 1/2"
Seals	FPM	EPDM
Valve cartridges	PVDF 4 x 6	PP 4 x 6
Foot filter	PVDF 4 x 6 ball valve	PP 4 x 6 lip valve
Injection valve	PVDF 4 x 6 ball valve	PP 4 x 6 ball valve
Suction tube	PVC 4 x 6	PVDF
Delivery tube	PE 4 x 6	PVDF

Optional

- ↳ Level probe predisposition
- ↳ Flow alarm

Dimensions

(in mm)



Standard installation kit

Injection valve	PVDF foot filter with ball valve	Delivery tube 2 m PE 4x6	Suction tube 2 m PVC 4x6	Bleed tube 1.5 m PVC 4x6

Technical data

	Flow max l/h	Pressure bar	Max cc	Max operating temp °C	Stroke mm	Solenoid ø mm	Body pump material	Power c Watt	Pulses ppm	Weight kg
Standard flow model										
10-02	10	2	1.11	65	1.3	80	PVDF	60	150	3.5
05-10	5	10	0.55	65	1.1	80	PVDF	60	150	3.5
04-12	4	12	0.44	65	0.9	80	PVDF	60	150	3.5
High flow model										
24-01	24	1	3.34	65	2.2	90	PVC	60	150	4
22-02	22	2	2.89	65	2.2	90	PVC	60	150	4
High pressure model										
03-15	3	15	0.33	65	1.4	90	PVDF	60	150	4
02-18	2	18	0.22	65	1.4	90	PVDF	60	150	4

Accessories

- ↳ Probes (ph/Redox/Chlorine Cells)
- ↳ Probe holders
- ↳ Suction lances
- ↳ Mixers
- ↳ Tanks & bunds
- ↳ Water Meters

Verderdos

VE3-CL Solenoid Chlorine dosing pump



Description

Electromagnetic, digital proportional dosing pump for chlorine dosing. Wall and foot mounted pumps available. Protection glass IP 65. Available as wall mounted pump or on foot.

Features

- ↳ Built in controller for chlorine
- ↳ Function mode: Constant, ON/OFF, proportional
- ↳ Overdose alarm, set by software
- ↳ Start time delay setting
- ↳ PPM reading
- ↳ Status and programming led
- ↳ Over and under measure signal
- ↳ Instant flow rate % visualization
- ↳ On/off switch
- ↳ Supplied with SCHUKO plug

Materials

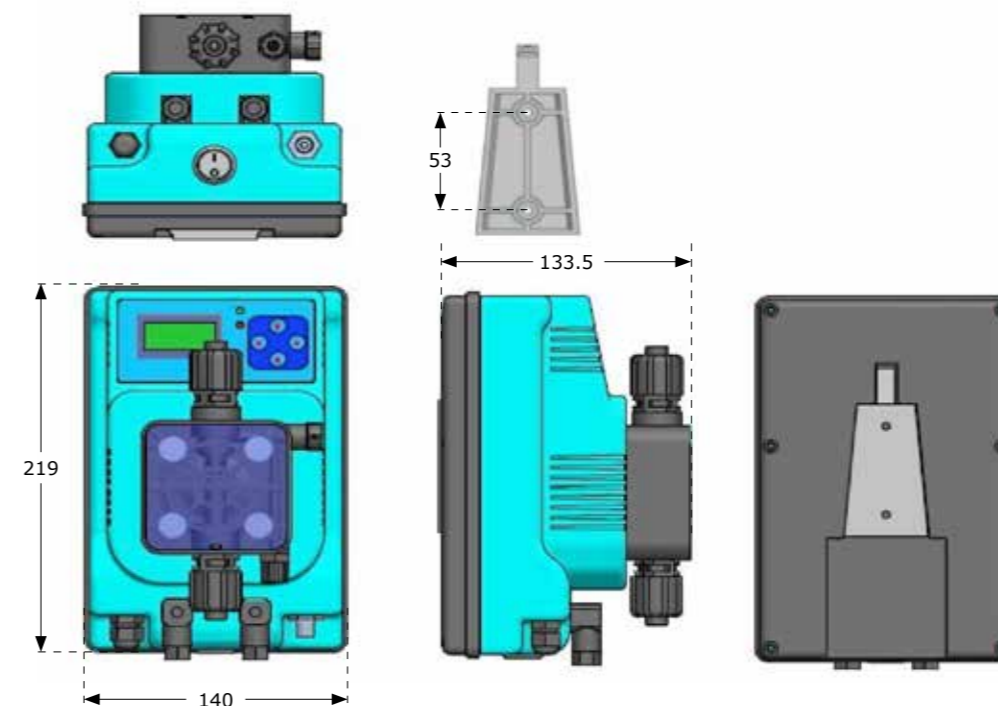
Material selection Pump head	Standard	Optional
Standard flow model	PVDF	PP
High flow model	PVC	-
High pressure model	PVDF	-
Material		
Balls	Pyrex	Ceramic, PTFE, SS 316
Diaphragm	PTFE	-
Fittings	PVDF 1/2"	PP 1/2"
Seals	FPM	EPDM
Valve cartridges	PVDF 4 x 6	PP 4 x 6
Foot filter	PVDF 4 x 6 ball valve	PP 4 x 6 lip valve
Injection valve	PVDF 4 x 6 ball valve	PP 4 x 6 ball valve
Suction tube	PVC 4 x 6	PVDF
Delivery tube	PE 4 x 6	PVDF

Optional

- ↳ Level probe on input
- ↳ Flow switch
- ↳ Flow alarm

Dimensions

(in mm)



Standard installation kit

Injection valve	PVDF foot filter with ball valve	Delivery tube 2 m PE 4x6	Suction tube 2 m PVC 4x6	Bleed tube 1.5 m PVC 4x6

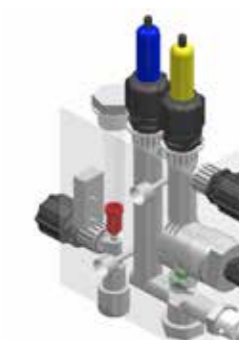
	PTFE BALLS	SS 316 BALLS	PYREX BALLS	CERAMIC BALLS
Material	PTFE	SS 316	DURAN – PYREX	AL ² O ³
Hardness	60 (D)	1407160 HB	± 45 HRC	± 45 HRC
Specific weight	2.10 g/cm ³	8.02 g/cm ³	2.23 g/cm ³	3.90 g/cm ³
Description	Resistant to most of oxidizing chemicals, inorganic salt solutions, hydrocarbons. Non-conductive.	Spheres with resistance to corrosion caused by chemical solutions oxidants, organic chemicals, sterile solutions, mineral water and sea water, ammonia, salt air, etc.	Spheres with excellent chemical inertness to most acids. Excellent for use in metering pumps and valves in contact with strong oxidizing concentrations.	Resistant to most corrosive agents. Not recommended for use with hydrochloric acid and hydrofluoric acid solutions. Maximum abrasion resistance.

Technical data

	Flow max l/h	Pressure bar	Max cc	Max operating temp °C	Stroke mm	Solenoid ø mm	Body pump material	Power c Watt	Pulses ppm	Weight kg
Standard flow model										
10-02	10	2	1.11	65	1.3	80	PVDF	60	150	3.5
05-10	5	10	0.55	65	1.1	80	PVDF	60	150	3.5
04-12	4	12	0.44	65	0.9	80	PVDF	60	150	3.5
High flow model										
24-01	24	1	3.34	65	2.2	90	PVC	60	150	4
22-02	22	2	2.89	65	2.2	90	PVC	60	150	4
High pressure model										
03-15	3	15	0.33	65	1.4	90	PVDF	60	150	4
02-18	2	18	0.22	65	1.4	90	PVDF	60	150	4

Accessories

- ↳ Probes (ph/Redox/Chlorine Cells)
- ↳ Probe holders
- ↳ Suction lances
- ↳ Mixers
- ↳ Tanks & bunds
- ↳ Water Meters



Verderdos Amperometric chlorine cell PRO-CG-CL3

0-5 mg/l measurement range; plexiglass body, flow switch sensor, copper/platinum electrode. Only working correctly with water flow between 30 – 50 l/h. Always in combination with PRO-HCG-CL3 flow trough probe holder

Overview

Verderflex dosing pumps

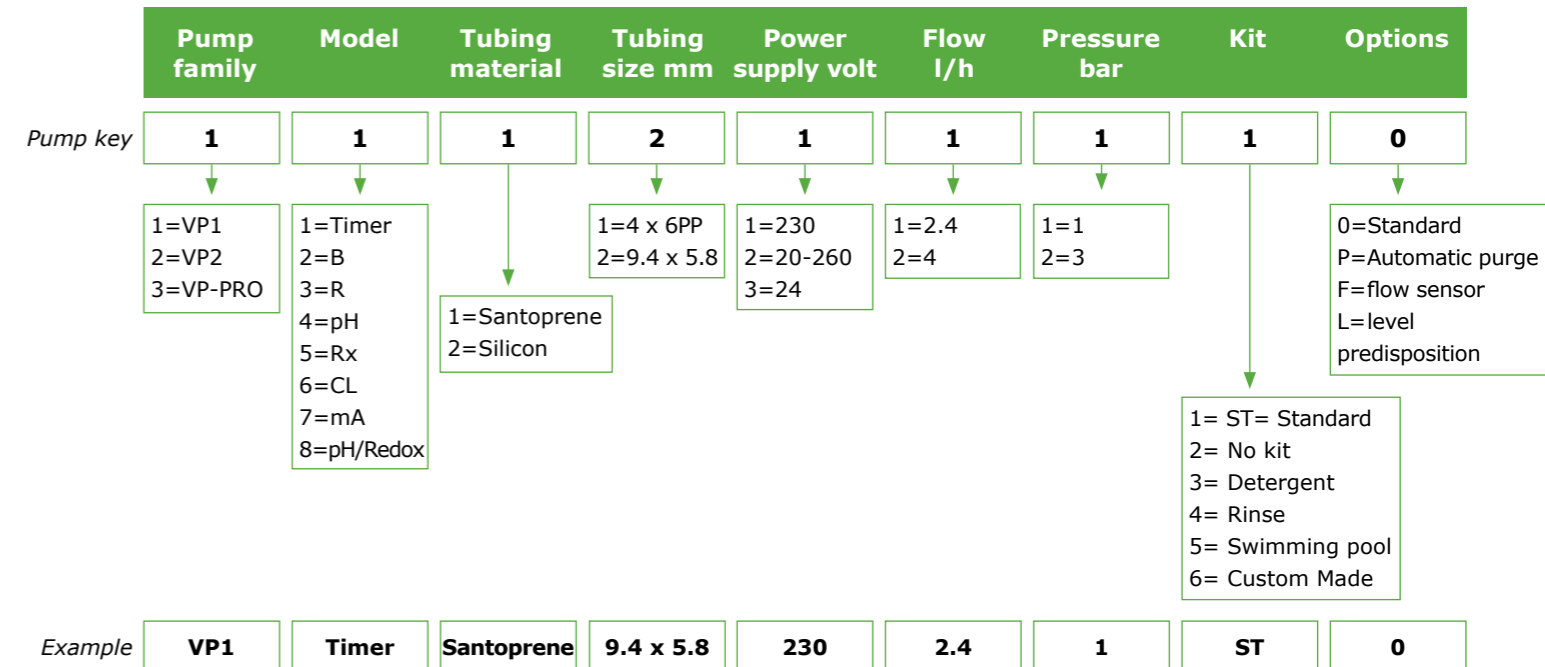
MODEL	VP
    	<p>1 Basic</p> <p>VP1-TIMER</p> <ul style="list-style-type: none"> fixed flow digital timer pump 10 starts/stops per day digital display with stand by key <p>VP2-B</p> <ul style="list-style-type: none"> Fixed flow rate 20 l/h (24VDC) - 6 l/h (230VAC) plug and play IP55 <p>2 Adjustable</p> <p>VP2-R</p> <ul style="list-style-type: none"> Manually adjustable max flow 20 l/h multivoltage 20 - 260 V <p>3 External regulation</p> <p>VP2-pH VP2-Redox</p> <ul style="list-style-type: none"> proportional dosing pump max flow 4 l/h digital adjustment built in controller suitable for pH/redox <p>4 Water treatment pro's</p> <p>VP-PRO for ph/Redox VP-PRO Chlorine* VP PRO mA**</p> <ul style="list-style-type: none"> advanced digital proportional dosing max flow 6 l/h LCD screen / LED display 4 languaged over and under alarm Instant flow rate % visuallisation suitable for pH/redox IP 55 <p>* = + ppm scale + flow switch control ** = + 0 / 4 - 20 mA</p>

In this brochure we present a selection that we consider our standard program. However, we create any pump that meets your dosing specifications.

CUSTOM BUILT DOSING PUMPS

Verderflex VP

Peristaltic tube pump key



Name	measurement	Range	Body Material	Connection	Electrode length	Max. pressure bar	Max. temperature °C	Standard cable length
PRO-PH	pH	0-14 pH	Epoxy	BNC	125 mm	2	50	5 m
PRO-PH-C	pH	0-14 pH	Epoxy	BNC	80 mm	7	60	5 m
PRO-RX	Redox	+/-1500 mV	Epoxy	BNC	125 mm	2	50	5 m
PRO-RX-C	Redox	+/-1500 mV	Epoxy	BNC	80 mm	7	60	5 m
PRO-G	Redox	+/-2000 mV	Glass	S7	125 mm	2	80	-
PRO-G	pH	0-14 pH	Glass	S7	125 mm	2	80	-
PRO-P	Redox	+/-2000 mV	Epoxy	S7	125 mm	2	50	-
PRO-P	pH	0-14 pH	Epoxy	S7	125 mm	2	50	-
PRO-H	Redox	+/-2000 mV	Glass	S7	125 mm	6	130	-
PRO-H	pH	0-14 pH	Glass	S7	125 mm	6	130	-

Name	measurement	Range	Body material	Connection	Electrode composition	Max. pressure bar	Max. flow rate l/h	Sensor type
PRO-CG-CL3	Chlorine	0-10 PPM	Plexyglass	4X6 / 8X12	Platinum/copper	3	40	AMPEROMETRIC

Name	measurement	Range	Body material	Connection	Max. temperature °C
PRO-PT100P	Temperature	0-100 °C	PVC	No connection/BNC	70
PRO-PT100S	Temperature	0-100 °C	Pyrex	No connection/BNC	80

Verderflex

VP1-Timer peristaltic dosing pump

Description

Digital timer peristaltic tube pump. suitable for flocculant, enzymes and andalgaecides. Easy to install and maintain. Segmented digital display. 10 starts/stops for a daily program

Materials

Protection class	IP 55
Pump material	PP
Tube	Santoprene
Roller	Delrin
Max pressure	1 bar (Santoprene) 3 bar (Silicon)
Power supply	230 V, 50 - 60 Hz
Nuts	PP 1/8"
Fittings	PP 4 x 6 mm

Standard supplied with a SCHUKO plug

Technical data

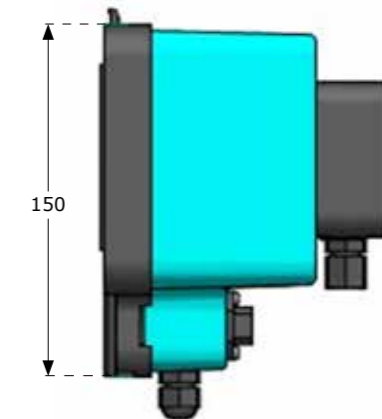
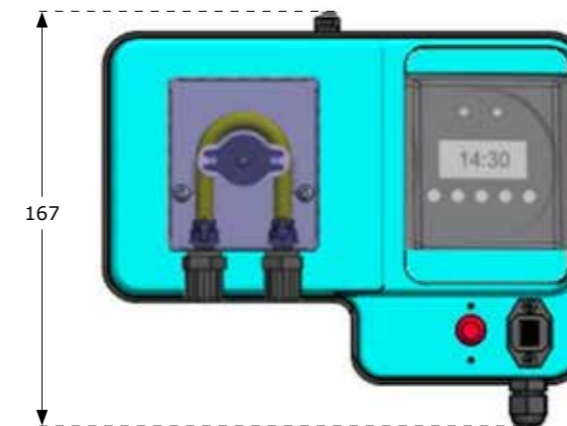
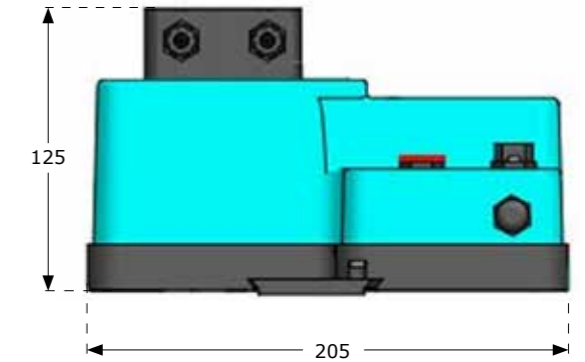
	Max l/h	Pressure bar	Max cc	Max operating temperature °C	Ø int x ext mm	Pump body material	Power c Watt	rpm	Weight kg
0.6-01	0.6	1	10	65	4 x 7	PP	35	8	1.0
1.2-01	1.2	1	20	65	4 x 7	PP	35	10	1.0
1.8-01	1.8	1	30	65	4 x 7	PP	35	15	1.0
2.4-01	2.4	1	40	65	4 x 7	PP	35	20	1,0

Standard accessories kit

1/2" PP-VL-VT Talco Lip	Foot Filter PP-VL-VT	Suction tube 2 m PVC 4x6	Delivery tube 2 m PE 4x6
			



Dimensions (in mm)



Verderflex

VP2-B basic flow tube pump



Description

Peristaltic tube pump with fixed flow. Maximum flow 20 l/h.

Materials

Pump body	PP body reinforced with 30% talc
Max pressure	1 bar (Santoprene tubing) 3 bar (Silicon tubing: detergent applications)
Power supply	230 VAC - 24 VDC
Connections	PP 1/8"
Fittings	PP 4 x 6 mm

Materials

Detergent installation kit	detergent	rinse aid
Suction tube	PVC 4 x 6	PVC 4 x 6
Delivery tube	PVC 4 x 6	PE 4 x 6
Injection valve	PP 90°	Steel 1/8"
Foot filter	Steel rubber holder	Steel rubber holder

Standard supplied with a SCHUKO plug

Technical data

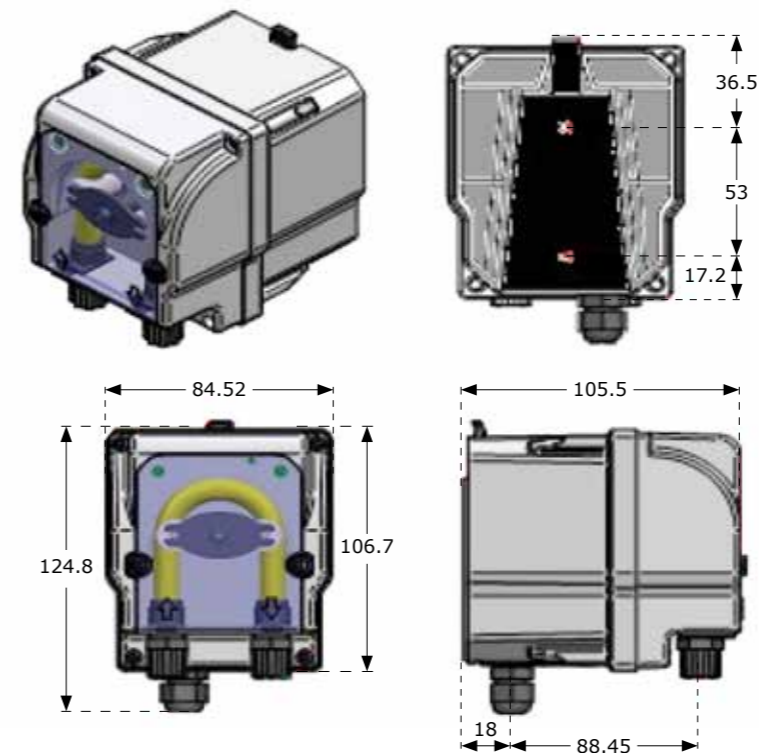
	Max l/h	Pressure bar	Max cc	Max operating temperature °C	Tubing material	Tube ø mm	Pump body material	Power c Watt	rpm	Weight kg
230 VAC										
1.5 - 01	1.5	1	25	65	Santoprene	5.8 x 9.4	PP	35	10	0.5
03-01	3	1	50	65	Santoprene	5.8 x 9.4	PP	35	20	0.5
04-01	4	1	66.67	65	Santoprene	5.8 x 9.4	PP	35	40	0.5
06-01	6	1	100	65	Santoprene	5.8 x 9.4	PP	35	40	0.5
01-03	1	3	16.67	65	Silicon	5 x 10	PP	35	20	0.5
24 VDC										
1.5 - 01	1.5	1	25	65	Santoprene	5.8 x 9.4	PP	35	10	0.5
03-01	3	1	50	65	Santoprene	5.8 x 9.4	PP	35	20	0.5
04-01	4	1	66.67	65	Santoprene	5.8 x 9.4	PP	35	40	0.5
06-01	6	1	100	65	Santoprene	5.8 x 9.4	PP	35	40	0.5
12-01	12	1	200	65	Santoprene	5.8 x 9.4	PP	35		0.5
20-01	20	1	334	65	Santoprene	5.8 x 9.4	PP	35		0.5
30-01	30	1	500	65	Santoprene	5.8 x 9.4	PP	35		0.5
01-03	1	3	16.67	65	Silicon	5 x 10	PP	35	20	0.5

Standard accessories kit

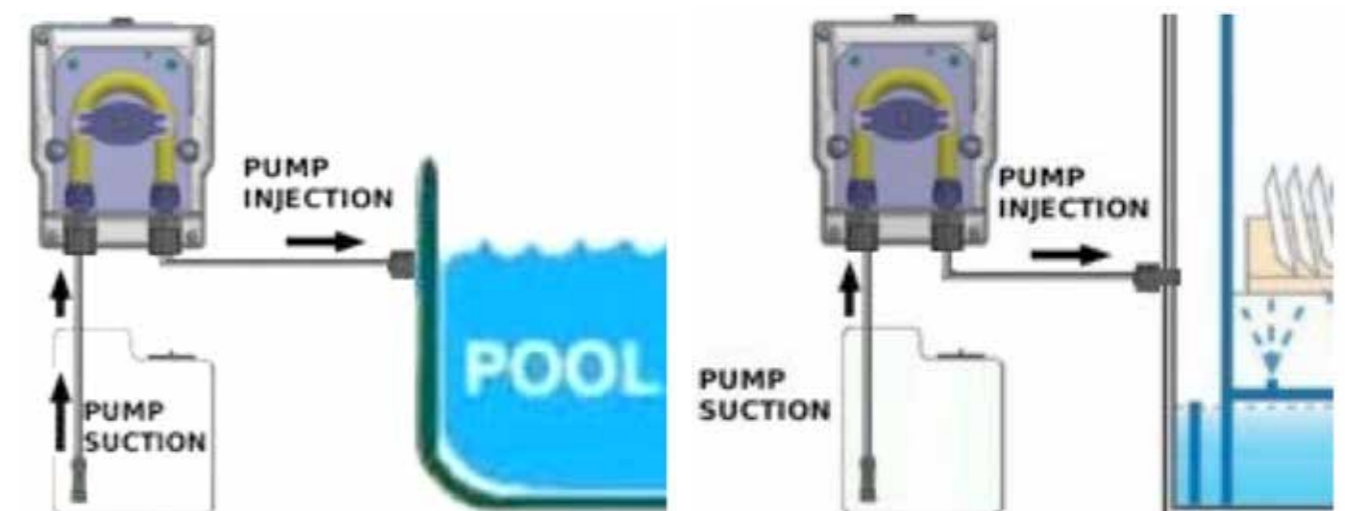
1/2" PP-VL-VT Talco Lip	Foot Filter PP-VL-VT	Suction tube 2 m PVC 4x6	Delivery tube 2 m PE 4x6

Dimensions

(in mm)



Examples of correct installation



Verderflex

VP2-R tube pump with flow rate control

Description

Peristaltic pump with manual flow rate regulation.
Flow rating 0÷100% adjustable using a trimmer.
Can work independently with a signal 20/260 VAC.

Materials

Pump body	PP reinforced with 30 % fiberglass
Max pressure	1 bar (Santoprene tubing) 3 bar (Silicon tubing: rinse applications)
Roller	Delrin
Tube	Santoprene
Power supply	20 - 260 VAC, 50 - 60 Hz
Connections	PP 1/8"
Fittings	PP 4 x 6
Optional	Silicon Tubing for rinse application

Standard supplied with a SCHUKO plug

Materials

Detergent installation kit	detergent	rinse aid
Suction tube	PVC 4 x 6	PVC 4 x 6
Delivery tube	PVC 4 x 6	PE 4 x 6
Injection valve	PP 90°	Steel 1/8"
Foot filter	Steel rubber holder	Steel rubber holder

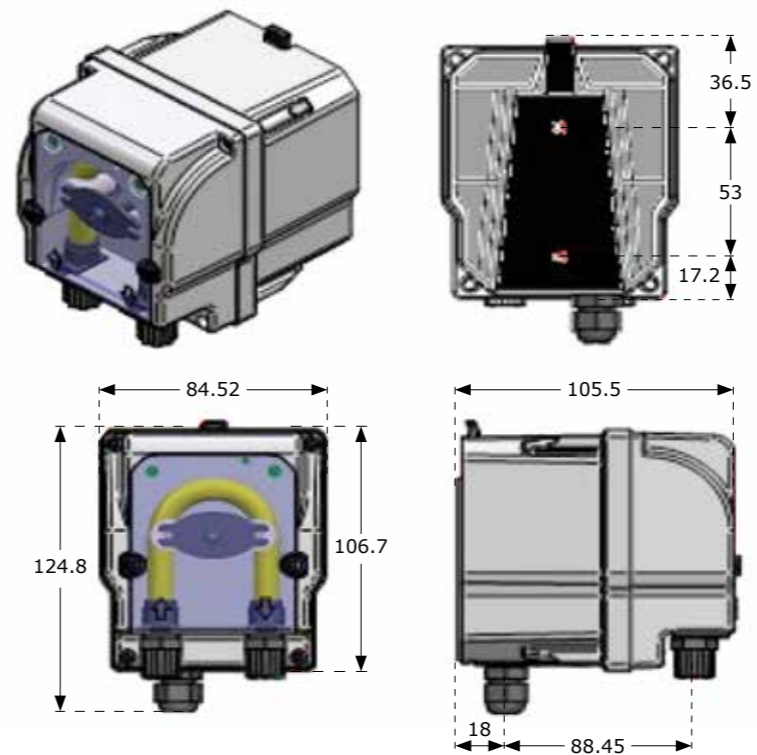
Technical data

	Max l/h	Pressure bar	Max cc	Max operating temperature °C	Tubing material	Tube ø mm	Pump body material	Power c Watt	rpm	Weight kg
1.5-01	1.5	1	25	65	Santoprene	5.8 x 9.4	PP	35	10	0.5
04-01	4	1	66.67	65	Santoprene	5.8 x 9.4	PP	35	40	0.5
06-01	6	1	100	65	Santoprene	5.8 x 9.4	PP	35	40	0.5
12-01	12	1	200	65	Santoprene	5.8 x 9.4	PP	35	-	0.5
20-01	20	1	334	65	Santoprene	5.8 x 9.4	PP	35	-	0.5
01-03	1	3	16.67	65	Silicone	5 x 10	PP	35	20	0.5



Dimensions

(in mm)



Standard accessories kit

1/2" PP-VL-VT Talco Lip	Foot Filter PP-VL-VT	Suction tube 2 m PVC 4x6	Delivery tube 2 m PE 4x6
			

Verderflex

VP2-PH peristaltic tube pump

Description

Proportional peristaltic tube pump for pH control. Digital peristaltic pump with built in pH controller.

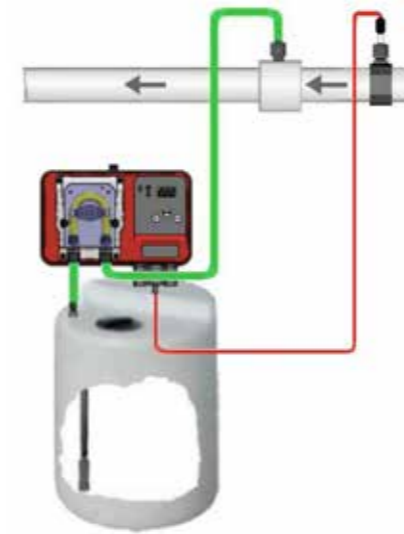
Features

- Instant display of pH value
- Automatic detection of probe efficiency
- Suitable for the dosage of pH + and pH - chemicals (acid and basic) selectable by software
- Programming over the entire range of pH 0-14
- Proportionality range definition
- Definition of the pulses numbers inside the proportionality range
- Easy to maintain
- PP Pump casing
- Manual bleed
- IP 55 protection
- Including SCHUKO Plug
- Probe connection input: BNC
- On/off switch



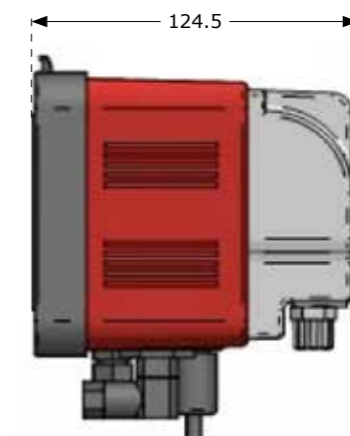
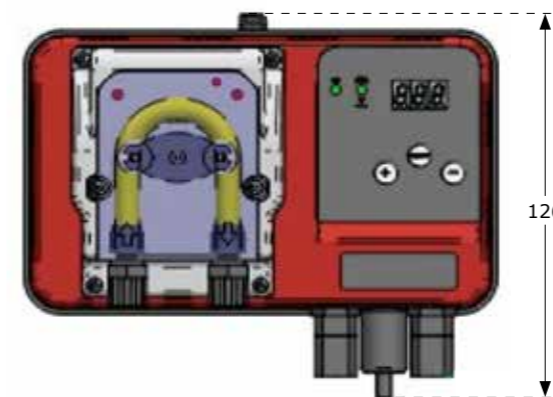
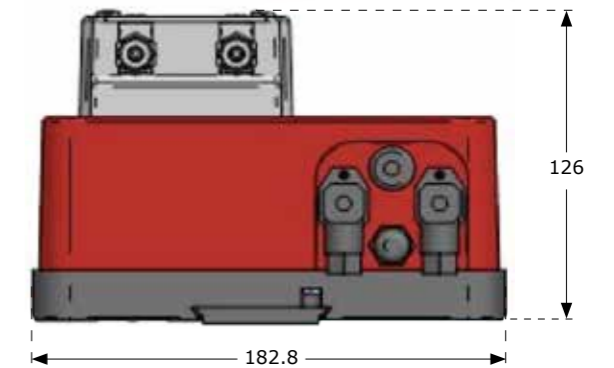
Optional

- Overdose alarm
- Level probe input instead of overdose alarm



Dimensions

(in mm)



Technical data

	Max l/h	Pressure bar	Max cc	Max operating temperature °C	Tubing material	Tube ø mm	Pump body material	Power c Watt	rpm	Weight kg
04-01	4	1	66.67	65	Santoprene	5.8 x 9.4	PP	35	30	1

Standard installation kit

1/2" PP-VL-VT Talco Lip	Foot Filter PP-VL-VT	Suction tube 2 m PVC 4x6	Delivery tube 2 m PE 4x6

Additional pH installation kit

pH probe 5 m cable epoxy body	Buffer solutions pH 7.00 - pH 9.00	Nr. 2 saddle clamps d.50 att. 1/2"	1/2" PP probe holder

Verderflex

VP2-RX peristaltic tube pump



Description

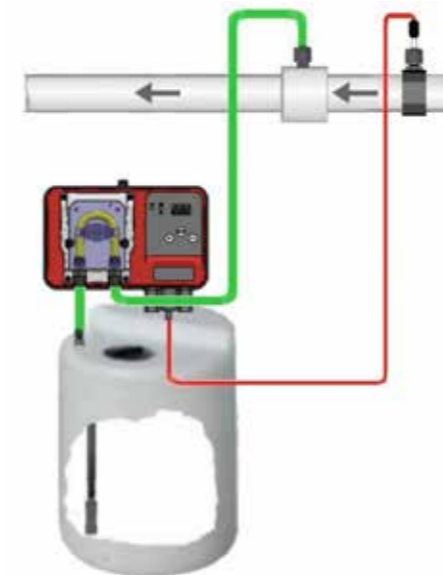
Proportional peristaltic tube pump for pH control. Suitable for dosing oxidants or dechlorination products.

Features

- built in redox / Orp controller
- Instant display of redox value
- Automatic detection of redox probe efficiency
- Semi-automatic calibration on just one value: 468 mV
- Programming over the entire range of 0..999 mV
- Easy to maintain
- IP 55 protection
- Including SCHUKO Plug
- Probe connection input: BNC
- On/off switch

Optional

- Level probe input instead of overdose alarm



Technical data

	Max l/h	Pressure bar	Max cc	Max operating temperature °C	Tubing material	Tube ø mm	Pump body material	Power c Watt	rpm	Weight kg
04-01	4	1	66.67	65	Santoprene	5.8 x 9.4	PP	35	30	1

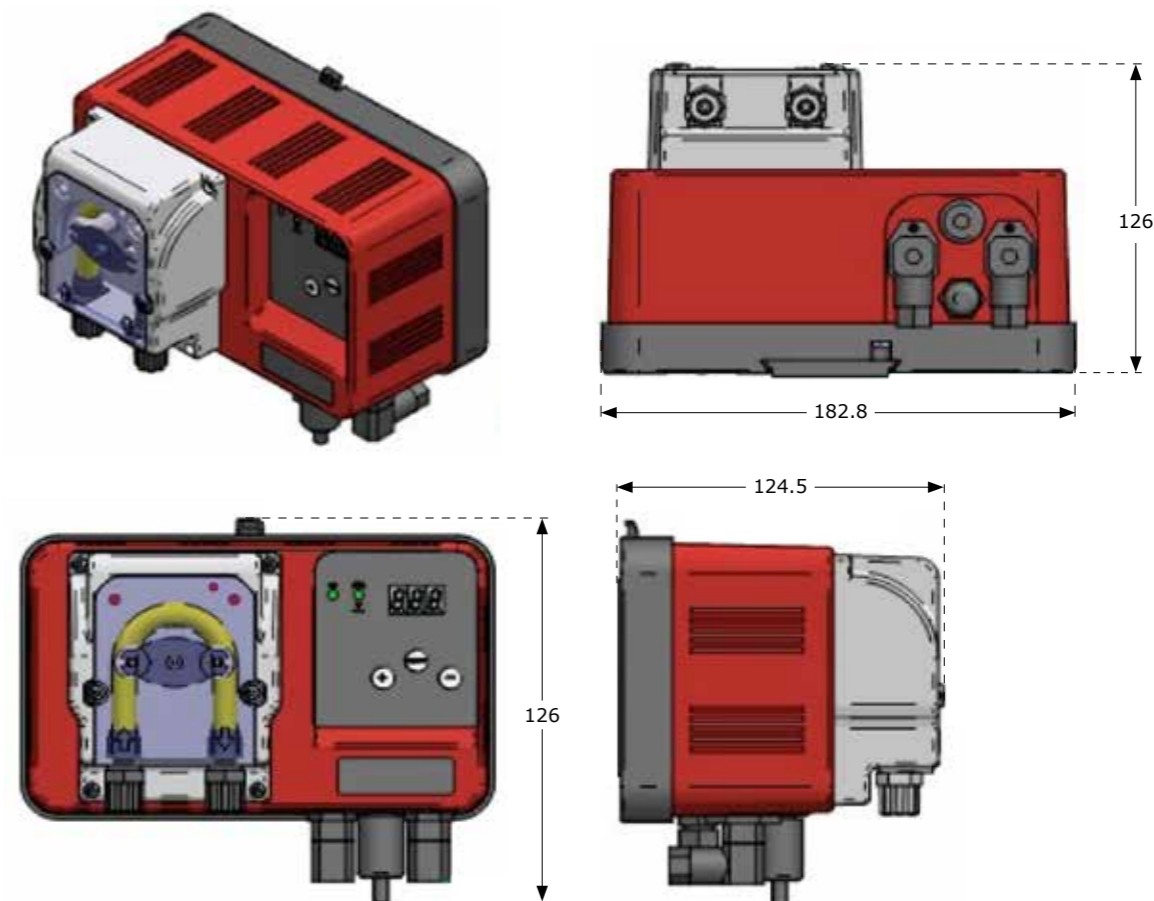
Standard installation kit

1/2" PP-VL-VT Talco Lip	Foot Filter PP-VL-VT	Suction tube 2 m PVC 4x6	Delivery tube 2 m PE 4x6

Additional Redox installation kit

Redox probe 5 m cable epoxy body	Buffer solution 468 mV	Nr. 2 saddle clamps d.50 att. 1/2"	1/2" PP probe holder

Dimensions (in mm)



Verderflex

VP Pro PH-RX tube dosing pump



Description

Advanced digital proportional dosing pump system with an LCD display suitable for pH/Redox control.

Features

- Digital peristaltic pump with built in pH/Redox controller
- pH or mV (Redox) control selectable by software
- 3 Function modes: Constant, ON/OFF, proportional
- Programmable overdose timer alarm
- Start up delay
- LED and LCD display: status and programming
- IP 55 protection
- Over and under range alarm
- Instant flow rate % visualization
- 230 VAC
- Including SCHUKO plug
- Flow switch input
- On/off switch

Optional

- Level probe input
- Flow switch input

Materials

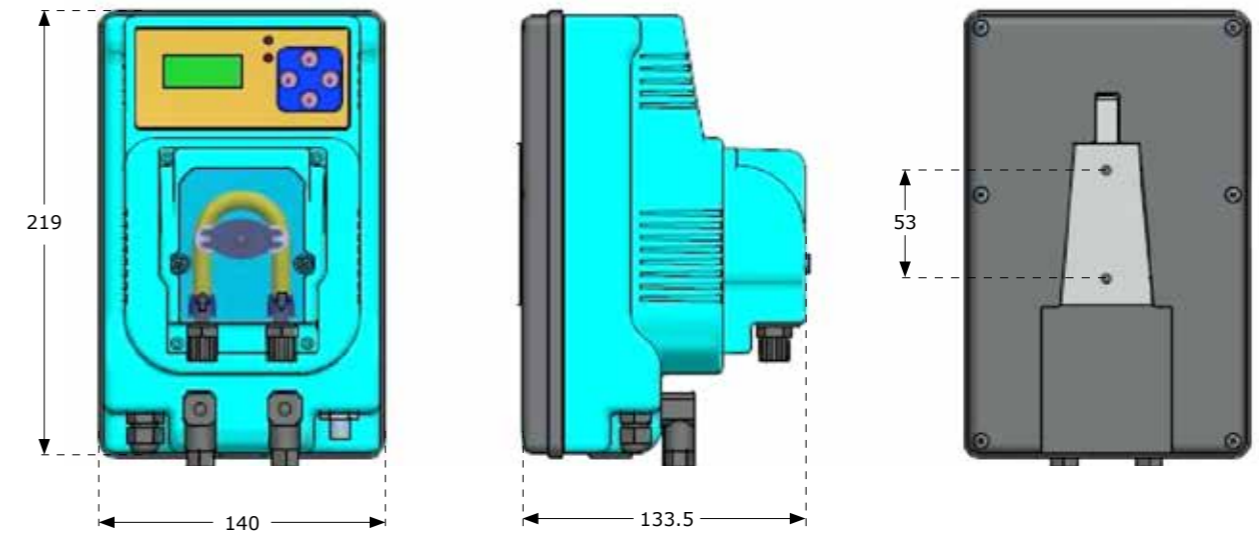
	Standard material	Optional
Pump body	PP	-
Roller	DELRIN	-
Tube	Santoprene	-
Power consumption	8 Watt	-
Nuts	PP M10	-
Fittings	PP tube 4 x 6	-
Probe connection	BNC	-
Foot filter	Lip valve	Ball valve
Suction tube	PVC 4 x 6	PVDF
Delivery tube	PE 4 x 6	PVDF

Technical data

	Max l/h	Pressure bar	Max cc	Max operating temperature °C	Ø int x ext mm	Pump body material	Power c Watt	rpm	Weight kg
1.5-01	1.5	1	25	65	5.8 x 9.3	PP	8	10	1.8
03-01	3	1	50	65	5.8 x 9.3	PP	8	20	1.8
06-01	6	1	100	65	5.8 x 9.3	PP	8	40	1.8

Dimensions

(in mm)



Standard installation kit

1/2" PP-VL-VT Talco Lip	Foot Filter PP-VL-VT	Suction tube 2 m PVC 4x6	Delivery tube 2 m PE 4x6

Additional pH installation kit

pH probe 5 m cable epoxy body	Buffer solutions pH 7.00 - pH 9.00	Nr. 2 saddle clamps d.50 att. 1/2"	1/2" PP probe holder

Verderflex

VP-PRO mA peristaltic dosing pump



Description

Digital, proportional peristaltic tube pump with an 0/4 - 20 mA signal.

Features

- Choice of 0/ 4-20 mA and definition of the proportionality range
- 2 Function modes: Constant or proportional
- Delay start programmable
- Alarm for temporary overdose, programmable
- LED Alarm status and programming
- Pump body in PP
- Protection class IP 55
- Instant flow rate % visualization
- 230 VAC, 50-60 Hz
- On/off switch

Optional

- Input signal level probe

Materials

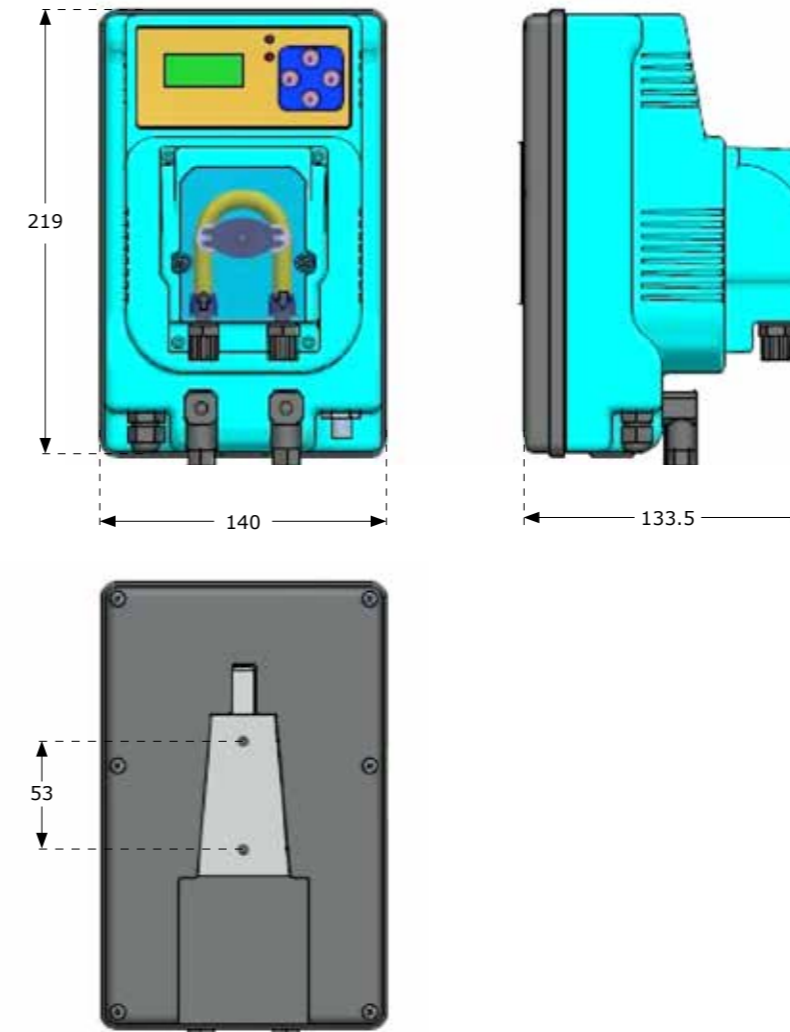
	Standard material	Optional
Pump body	PP	-
Roller	DELRIN	-
Tube	Santoprene	-
Power consumption	8 Watt	-
Nuts	PP M10	-
Fittings	PP tubo 4 x 6	-
Foot filter	Lip valve	Ball valve
Suction tube	PVC 4 x 6	PVDF
Delivery tube	PE 4 x 6	PVDF

Technical data

	Max l/h	Pressure bar	Max cc	Max operating temperature °C	Ø int x ext mm	Pump body material	Power c Watt	rpm	Weight kg
1.5-01	1.5	1	25	65	5.8 x 9.3	PP	8	10	1.8
03-01	3	1	50	65	5.8 x 9.3	PP	8	20	1.8
06-01	6	1	100	65	5.8 x 9.3	PP	8	40	1.8

Dimensions

(in mm)



Standard installation kit



Verderflex

VP PRO CL peristaltic chlorine dosing pump

Description

Digital peristaltic tube pump with integrated chlorine reader (ppm)

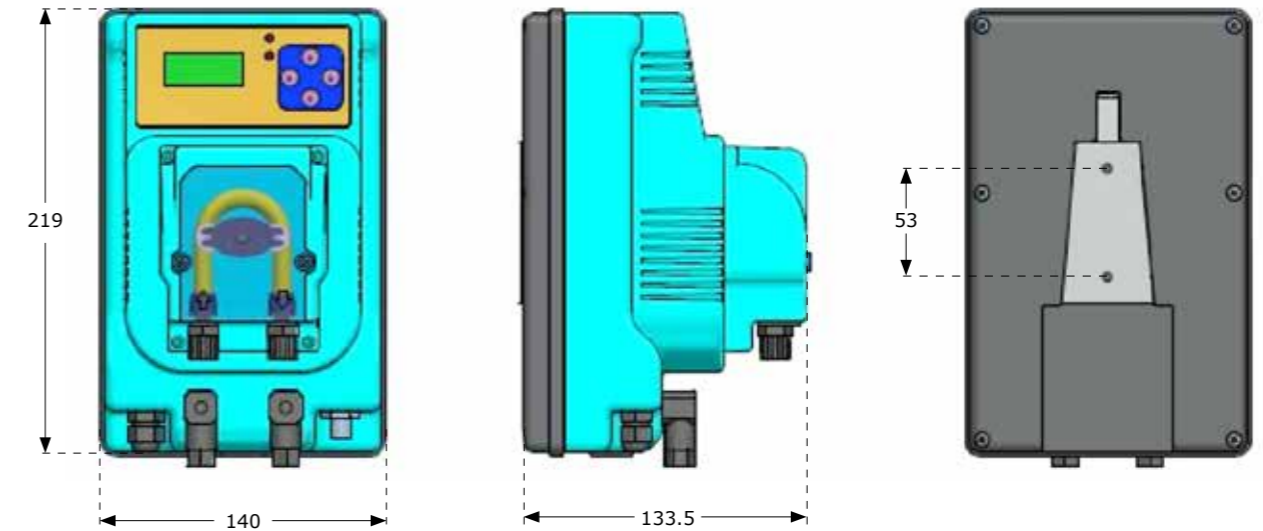
Features

- Amperometric reed with open cell.
 - Open amperometric probe copper / platinum
- 3 Function modes: Constant, ON/OFF, proportional
- Alarm for temporary overdose, programmable
- Delay start programmable
- LED Alarm status and programming
- Pump body in PP
- Protection class IP 55
- Over and under measure range alarm
- Instant flow rate % visualization
- 230 VAC, 50-60 Hz
- On/off switch



Dimensions

(in mm)



Optional

- Input signal level probe
- Input for flow sensor

Materials

	Standard material	Optional
Pump body	PP	-
Roller	DELRIN	-
Tube	Santoprene	-
Power consumption	8 Watt	-
Nuts	PP M10	-
Fittings	PP tubo 4 x 6	-
Probe connection	BNC	-
Foot filter	Lip valve	Ball valve
Suction tube	PVC 4 x 6	PVDF
Delivery tube	PE 4 x 6	PVDF

Technical data

	Max l/h	Pressure bar	Max cc	Max operating temperature °C	Ø int x ext mm	Pump body material	Power c Watt	rpm	Weight kg
1.5-01	1.5	1	25	65	5.8 x 9.3	PP	8	10	1.8
03-01	3	1	50	65	5.8 x 9.3	PP	8	20	1.8
06-01	6	1	100	65	5.8 x 9.3	PP	8	40	1.8

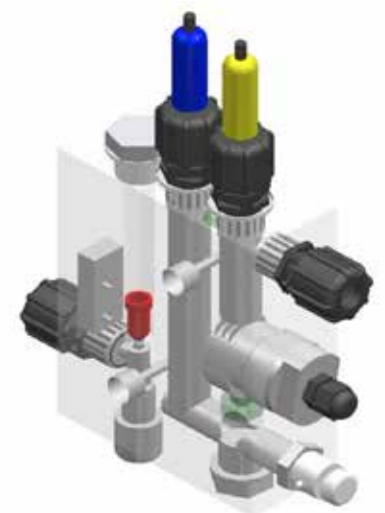
Standard installation kit

1/2" PP-VL-VT Talco Lip	Foot Filter PP-VL-VT	Suction tube 2 m PVC 4x6	Delivery tube 2 m PE 4x6

Technical details hydraulic Chlorine probe

Model	PRO-CG-CL3
Scale mg/l	0÷10
Resolution	±0,01
Fluid rate	30÷40 l/h
Cable	1,5 mt
Temperature	5÷50°C
Electrode	Copper / Platinum

The chlorine probe works only correctly when a constant flow of water between 30 and 50 l / h is fed



Verderdos VE and Verderflex VP

Control equipment

Verderdos & verderflex dosing pumps can be used in combination with a professional digital microprocessor controller with LCD display for control of:

- pH/ORP
- Conductivity
- Chlorine
- Turbidity
- Oxygen

Features:

- 2 rows LCD backlit display
- 2 ON / OFF AC outputs
- One 0/4 - 20 mA proportional digital output
- Protection through self-resetting fuse
- Operating temperature -10 - +50°C
- Input for flow sensor
- Display for temperature probe (probe not included)



Technical data:

- Power supply 230 V +/- 10%, 50-60 Hz
- Max power 7VA relay output version
- ON/OFF, 2 relays. Independent output on removable terminal with 5 pins 250 V ~ 3A resistant
- 0/4 - 20 mA proportional output
- One OFF/LEV input for disabling outputs free contact potential-free voltage at the terminals 5V current max 5mA

Accessories and ancillary equipment

To enlarge the application areas of the Verderdos solenoid dosing pumps, an extended program of accessories and ancillary equipment is available.

Accessories:

- Injection valve 1/8": the injection valve is either in Polypropylene (PP) or Stainless Steel (SS). For detergent dosing and rinse aid it is mandatory to use SS injection valve.
- PP injection valve with internal lip valve 1/2"
- PP injection valve with ball valve and Hastelloy spring 1/2"

Foot filters:

- PP foot filter with lip valve
- PP foot filter with double ball valve
- Basic PP foot filter without return valve

Electrodes

A selection of our electrodes are found at page 7 and 9.

Probe and Probe holders

For all applications probe and probe holders are available for pH, Redox and conductivity. Coax cables and electrode holders, buffer solution and level probes are available in several models.

Mixers

A perfect solution to mix chemicals in small tanks (100 - 500 litres). The shaft is made of stainless steel for maximum strength against mechanical stress. The mixers are available in two standard speeds: 70 rpm for slow rotation and 1400 rpm for fast rotation, depending on your application. Other speeds on request. The mixers can be equipped with single or 3 phase motor.



Verderdos VE and Verderflex VP

Additional kits

Detergent installation kit (Santoprene)

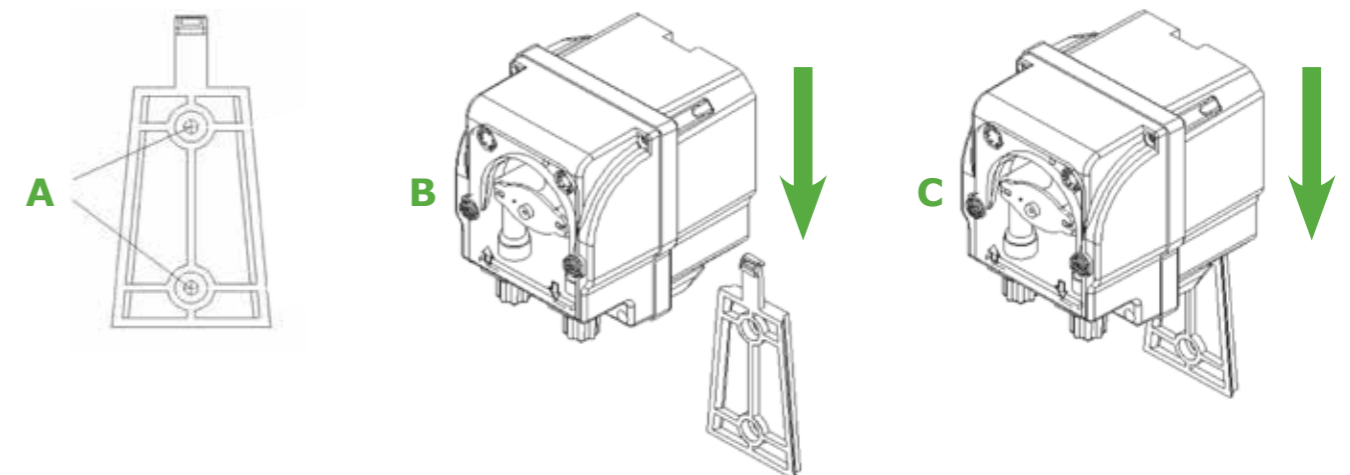


Rinse Aid installation kit (Silicon)



Wall mounting instructions

- Drill 2 holes at 53 mm
- Mount the wall bracket
- Place the pump at the Wall Bracket





Do you have questions? If you have questions concerning our pumps or special applications, please do not hesitate to contact us.

VERDERDOS VERDERFLEX

VD&VF_broch_rev01-2015_UK_(uk)

Verder Ltd

Unit 3, California Drive
Castleford,
West Yorkshire, WF10 5QH
United Kingdom

TEL +44 (0) 1924 221 020
FAX +44 (0) 1132 220 291
MAIL info@verderdos.com
WEB www.verderdos.com

AT Wien **BE** Aartselaar **BG** Sofia **CH** Basel **CN** Shanghai **CZ** Praha
DE Haan **DK** Rødovre **FR** Eragny s/Oise **GB** Castleford **HU** Budapest
IN Pune **IT** Rieti **NL** Groningen/Vleuten **PL** Katowice **RO** Bucuresti/Sibiu
SK Bratislava **TH** Bangkok **US** Macon (GA) **ZA** Northriding