



PRODUCT CATALOGUE

Filtration | Building Services | Rainwater

Edition 22



Vortex Fine Filter
WFF 300



New from WISY:
Breaktanks



LESS THAN 0.2 WATTS
97% MORE EFFICIENT
IN STANDBY OPERATION
wisy

 **made**
 **in**
 **Germany**



The production shop floor for rainwater filters in Hitzkirchen.



Bird's eye view of the production plant in Hitzkirchen.

Rainwater storage tank production



Assembly line for rainwater units.



WHO WE ARE

We have been designing and manufacturing self-cleaning filters with stainless-steel mesh since 1989. These filters are in use all over the world - both in production processes and modern rainwater harvesting systems.

WISY's energy-saving pump controllers for water pumps are breaking new ground when it comes to power consumption in standby mode. Our product portfolio is completed by our break tanks for separating the process water circuit from the mains water supply.

We are the world's leading engineers of rainwater harvesting equipment. We are offering an entire system for filtering and storing rainwater cleansed

in four stages, as well as all the other components you will need to create your own reliable water supply.

WISY quality - Made in Germany.

EXAMPLES OF OUR REFERENCE PROJECTS



A rainwater harvesting system has been installed at **IKEA's premises in Rothenburg** (near Lucerne, Switzerland). The harvested rainwater is used not only to flush toilets, but can also be extracted from taps at various locations in order to irrigate outdoor areas. Collected from around one third of the roof area, the rainwater is piped to three WFF 300 vortex fine filters, cleansed and then stored underground ready for use.



LEED-Gold-Certified: Bishop Building on the south campus of Saint Francis Hospital in Tulsa (Oklahoma, USA) is awarded by the U.S. Green Building Council with LEED Gold Certification (Leadership in Energy and Environmental Design). The local rainwater is cleansed by three WFF 300 vortex fine filters, stored in a 190 m³ cistern and used for irrigation.

TABLE OF CONTENTS

WISY FILTERS FOR EVERY APPLICATION	4 - 5	VORTEX FINE FILTER WFF 100 / 150	12 - 15
FILTER COLLECTOR FS	6 - 7	VORTEX FINE FILTER WFF 300	16 - 17
STANDPIPE FILTER COLLECTOR (STFS)	8 - 9	VORTEX FINE FILTER WFF 300, REDUCED SIZE	18
LINEAR 100 RAINWATER FILTER	10 - 11	VORTEX FINE FILTER CLEANING NOZZLE	19
4-STAGE CLEANSING PRINCIPLE	20	OPTIMA RAINWATER UNIT	24
RAINWATER UNITS	21	OPTIMA PLUS RAINWATER UNIT	25
MULTIMAT RAINWATER UNIT	22	MAXIMA RAINWATER UNIT	26
SIGMA RAINWATER UNIT	23	PRESSURE CURVES	27
SIGURA 9 BREAK TANK	28 - 29	SIGURA 100 / 500 BREAK TANK	30 - 31
ZETA 02 PUMP CONTROLLER	32 - 33	FLOATING SUCTION FILTER SETS <u>WITHOUT</u> NON-RETURN VALVE	40
ASPRIPLUS SELF-PRIMING PUMP	34 - 35	FLOATING SUCTION FILTER SETS <u>WITH</u> NON-RETURN VALVE	41
MULTIGO SUBMERSIBLE PRESSURE PUMP	36 - 37	FLOATING FINE SUCTION FILTER (SAFF)	42
PROVEDO SUBMERSIBLE FEED PUMP	38	FLOATING COARSE SUCTION FILTER (SAGF)	43
FIXED-MOUNTED SUCTION FILTER FOR SUBMERSIBLE PUMPS	39	STORM WATER RETENTION TANK	48
WISY RAINWATER STORAGE TANK WITH COMPLETE EQUIPMENT	44 - 45	RETENTION REGULATOR	49
WISY RAINWATER STORAGE TANK WITH BASIC EQUIPMENT	46	SOAKAWAY SYSTEM	50
WISY FLAT TANK	47	MODULAR SOAKAWAY CRATE	51
MULTISIPHON	52	HOSE COUPLINGS	59
OVERFLOW SIPHON DN 200	53	SUCTION AND PRESSURE HOSES	59
SMOOTHING INLET	53	PRESSURE HOSE ASSEMBLIES	60
ANTI-FLOODING FLAP VALVE	54	FLEXIBLE TUBES AND CONNECTING PARTS	60
WISY IS SUPPLYING BERLIN WITH RAINWATER	55	WALL AND TUBE BUSHINGS	61
LEVEL INDICATOR	56	TANK SEAL	61
MAINS WATER TOP-UP SET	56	FITTINGS, SPARE PARTS	62 - 64
OPEN MAINS WATER OUTLET	57	CABLE COUPLING SETS	64
FLOAT SWITCH	58	LABELS	65
HIGH-FLEXIBILITY SUCTION HOSES	59	THE RAINWATER PEAR	72
RAINCOLLECTOR RS	66 - 67	GARDEN RAINWATER SET	72
RAINCATCHER RC	68 - 69	BETA SUBMERSIBLE GARDEN PUMP	73
GARDEN RAINWATER COLLECTOR (GRS)	70		
STABILIX RAINWATER BARREL	71		
TERMS OF SALES, SUPPLY AND PAYMENT	74	REFERENCES FOR INDUSTRIAL APPLICATIONS	75

FILTRATION

RAINWATER UNITS

BREAKTANKS

PUMPS

STORAGE TANKS

ACCESSORIES

GARDEN

WFF 100
for pipe diameter DN 100



LINEAR 100
for pipe diameter DN 100



Industry and Apartment Houses

WFF 150
for pipe diameter DN 150



WFF 300
for pipe diameter DN 300



The roof area that can be connected to a rainwater harvesting system depends on the precipitation rate in the local area. The precipitation values in the tropics, for example, can differ significantly from those in temperate climate zones. The diameter of the drainage pipes specified by the planner is crucial.

Family Homes

**STANDPIPE FILTER
COLLECTOR STFS**
for pipe diameter DN 70 to DN 100



FILTER COLLECTOR FS
for pipe diameter
DN 70 to DN 100



RAINCOLLECTOR RS
for pipe diameter DN 100



GARDEN RAINWATER COLLECTOR
for pipe diameter DN 70 to DN 100



Garden Irrigation

The WISY filter systems installed in a downpipe, underground or in the tank are an integral component of rainwater harvesting systems.

As a general rule, the roof drain is installed as a „gravity drain system“. The rainwater flows towards the storm drain or soakaway system through gutters, downpipes, collecting and underground pipes. It is therefore important to ensure that the cross section of piping in the flow direction of the water is not restricted. The WISY filter systems installed in the downpipe or under-

ground pipe guarantee that water can drain safely away from the roof areas of the building.

At the same time, the drainage pipes and the installed filter systems must be dimensioned to handle the flow rates (or „volumetric flow“) of drainage water from the connected roof areas.

Table indicating the drainage capacity of collecting and underground pipes (in which WISY filter systems are installed) according to DIN EN 12056

DN 100 (Filter Collector FS/STFS, LineAr 100, WFF 100, Garden Rainwater Collector, RainCollector RS)	4,2 l/s
DN 150 (WFF 150)	12,8 l/s
DN 300 (WFF 300)	80,6 l/s

For horizontal pipes: The max. flow rates of inflowing water apply when the connecting pipes are installed at a 1% gradient and a max. pipe fill level of 0.7.

Using the drainage capacity of collecting and underground pipes as a basis, it is also possible to calculate the max. roof area which can be connected to the system.

Important: Special installation measures must be taken when WISY filters are installed in pressure drainage systems. Please contact our technical support for further advice!

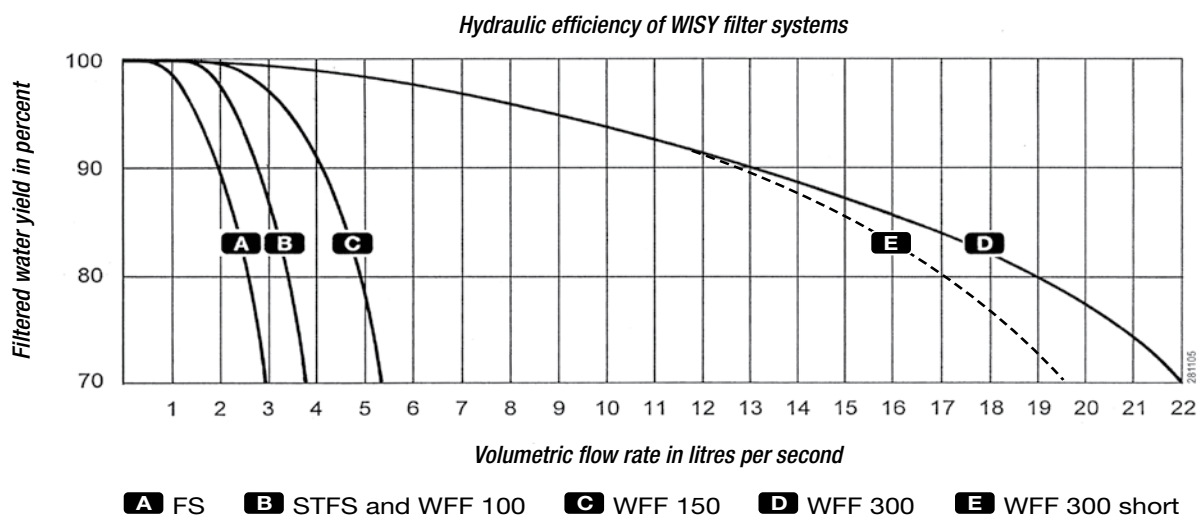
EFFICIENCY OF WISY FILTER SYSTEMS

According to WISY's own research, the average efficiency (or „hydraulic efficiency“) of WISY's filter systems is over 0.9 or 90%, i.e. more than 90% of the water flowing into the filter from the roof is filtered before it flows into the storage tank. The remaining water passes into the storm drain or soakaway system with any dirt particles separated out during the cleansing process.

The specified level of hydraulic efficiency refers to around 99% of all rainfall events in Germany and Central Europe. The filter efficiency is lower (around 40-60%) owing to the increased volumetric flow of water in only about 1% of rainfall events.

The majority of individual rainfall events fill the drainage pipes to less than 0.3 or 30%.

Example: A building with a projected roof area of 500 m² (5382 sq. ft.) for which a WFF 150 is installed. The volumetric flow of water into the WFF is 2.78 l/s during a rain shower of average intensity, i.e. 5m/m² in 15 minutes (the same as 5 litres/m² in 15 minutes). In the chart below, this flow rate corresponds to a hydraulic efficiency of over 95%.



Rainwater filters for installation in downpipes made of metal or plastic. Consisting of upper housing, housing pot and filter insert. Housing available in stainless steel (VA) or copper (CU). Filter insert for all variants made of stainless steel, filter mesh size 0.28 mm (0.011 in.) (basic version) or 0.44 mm (0.017 in.), low maintenance. It is recommended to clean the filter in a dishwasher. Cleaning interval: 2-3 times per year. Outlet to the rainwater storage tank: DN 50. Drainage safety according to DIN EN 12056 / EN 752, complies with DIN 1989.

► *Stainless-steel housings can be installed in zinc or copper downpipes without risk of galvanic action*

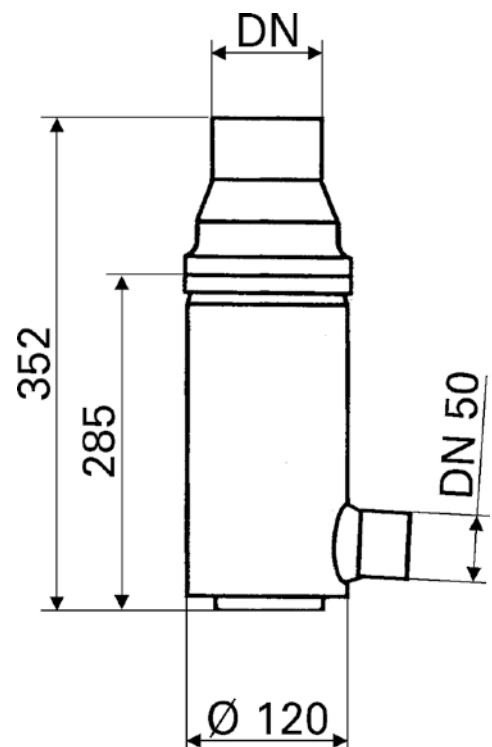
For Metal Downpipes	Nominal Size	Outside-Ø Downpipe	Mesh Size	Item No.	
● <i>Stainless steel housing</i>				0,28 mm	0,44 mm
FS 100 VA	DN 100	102 mm (4.0 in.)		FS 0303	FS 0433
FS 87 VA	DN 87	89 mm (3.5 in.)		FS 0302	FS 0432
FS 80 VA	DN 80	82 mm (3.2 in.)		FS 0301	FS 0431
FS 76 VA	DN 76	76 mm (2.9 in.)		FS 0305	FS 0435
● <i>Copper housing</i>					
FS 100 CU	DN 100	102 mm (4.0 in.)		FS 0203	FS 0423
FS 87 CU	DN 87	89 mm (3.5 in.)		FS 0202	FS 0422
FS 80 CU	DN 80	82 mm (3.2 in.)		FS 0201	FS 0421
FS 76 CU	DN 76	76 mm (2.9 in.)		FS 0205	FS 0425

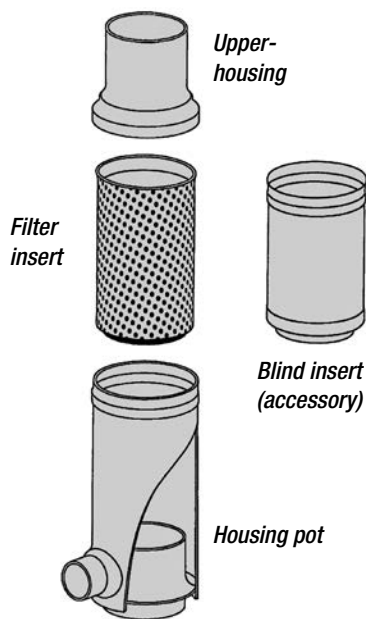
● *Zinc housing on demand.*

DN 70 to DN 100



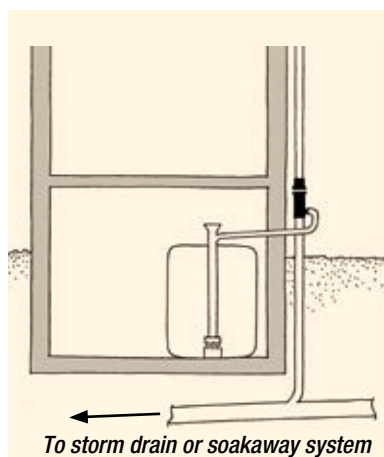
*Filter Collector FS,
stainless steel*





For plastic downpipes		Nominal Size	Outside-Ø Downpipe	Mesh Size	Item No.	
● Stainless-steel housing					0,28 mm	0,44 mm
	FS 110 VA	DN 100	110 mm (4.3 in.)		FS 0304	FS 0434
	FS 76 VA	DN 70	75 mm (3.0 in.)		FS 0305	FS 0435
● Copper housing						
	FS 110 CU	DN 100	110 mm (4.3 in.)		FS 0204	FS 0424
	FS 76 CU	DN 70	75 mm (3.0 in.)		FS 0205	FS 0425

Spare Parts		Item No.
● Upper housing, (<i>please state nominal size</i>)		
	made of stainless steel (VA)	FO 0300
	made of copper (CU)	FO 0200
● Housing pot, (<i>please state nominal size</i>)		
	made of stainless steel (VA)	FT 0300
	made of copper (CU)	FT 0200
● Filter insert made of stainless steel, (<i>for all nominal sizes, height 17.5 cm / 6.89 in.</i>)		
	Mesh size 0.28 mm (0.011 in.)	FE 0300
	Mesh size 0.44 mm (0.017 in.)	FE 0301



Accessories		Item No.
● Blind insert made of stainless steel (VA), (<i>for all nominal sizes</i>)		BE 0301
Ensures direct throughflow of water to the storm drain or soakaway system, during winter operation or maintenance		
● Rainwater barrel connecting hose, 1¼"		
Connects Filter Collector FS to a rainwater barrel, UV-resistant plastic spiral hose, length 42 cm (12.5 in.), with tension rin.		15803
● Filter insert with titanium nitride coating for industrial applications		
	Mesh size 0.28 mm (0.011 in.)	FE 0400
	Mesh size 0.44 mm (0.017 in.)	FE 0401

WISY filters with fine filtering
 guarantee optimum operational reliability,
 separation of all dirt particles and
 absolute drainage safety!

STANDPIPE FILTER COLLECTOR (STFS)

Rainwater filter and standpipe in one component for installation in the rainwater downpipe or underground, functions as both standpipe and filter collector, prevents backflow. Consisting of upper housing, housing pot and filter insert. All parts made of stainless steel. Filter mesh size 0.28 mm (0.011 in.) (basic version) or 0.44 mm (0.017 in.), extreme low maintenance. It is recommended to clean the filter in a dishwasher. Cleaning interval: 2-3 times per year. Outlet to the rainwater storage tank: DN 50. Outlet to storm drain for sewer pipe: DN 100.

Drainage safety according to DIN EN 12056 / EN 752, complies with DIN 1989.

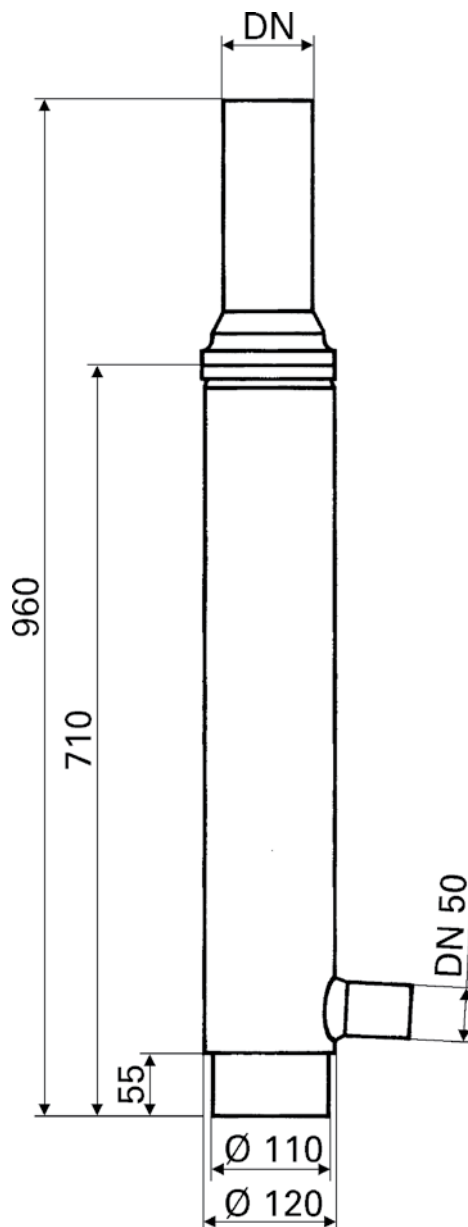
For Metal Downpipes	Nominal Size	Outside Ø-Downpipe	Item No.	
			Mesh Size	
● STFS 100 VA	DN 100	102 mm (4.0 in.)	0,28 mm SF 0303	0,44 mm SF 0433
● STFS 87 VA	DN 87	89 mm (3.5 in.)	SF 0302	SF 0432
● STFS 80 VA	DN 80	82 mm (3.2 in.)	SF 0301	SF 0431
● STFS 76 VA	DN 76	76 mm (2.9 in.)	SF 0305	SF 0435

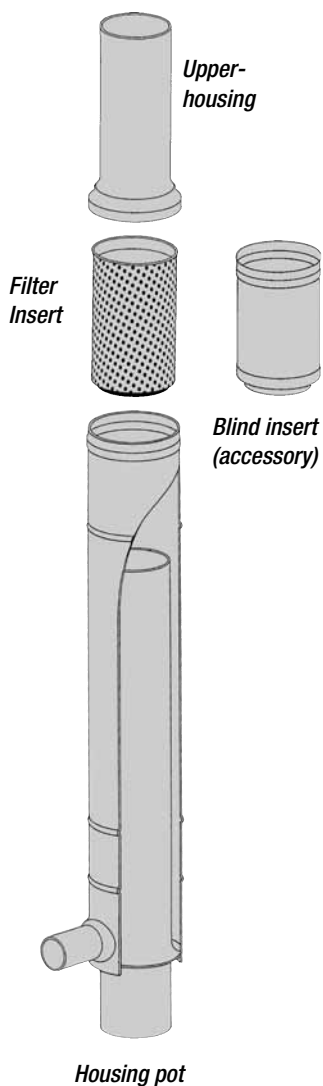
For plastic downpipes	Nominal Size	Outside Ø-Downpipe	Item No.	
			Mesh Size	
● STFS 110 VA	DN 100	110 mm (4.3 in.)	0,28 mm SF 0304	0,44 mm SF 0434
● STFS 76 VA	DN 70	75 mm (3.0 in.)	SF 0305	SF 0435

DN 70 to DN 100



Standpipe Filter Collector (STFS)





Spare Parts

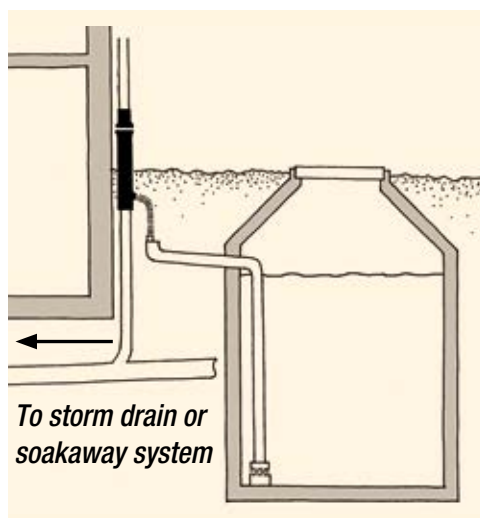
Art.-Nr.

- Upper housing made of stainless steel (VA, please state nominal size) SO 0300
- Housing pot made of stainless steel (VA) ST 0300
- Filter insert made of stainless steel (for all nominal sizes, height 17.5 cm / 6.89 in.)
 - Mesh size 0.28 mm (0.011 in.) FE 0300
 - Mesh size 0.44 mm (0.017 in.) FE 0301

Accessories

Art.-Nr.

- Blind insert made of stainless steel (VA), for all nominal sizes BE 0301
Ensures direct throughflow of water to the storm drain or soakaway system during winter operation or maintenance.
- Filter insert with titanium nitride coating for industrial applications
 - Mesh size 0.28 mm (0.011 in.) FE 0400
 - Mesh size 0.44 mm (0.017 in.) FE 0401
- Stainless-steel standpipe clip (VA) with screw (10 x 120) and wall plug. For secure attachment. SF 0310



LINEAR 100 RAINWATER FILTER

FILTRATION

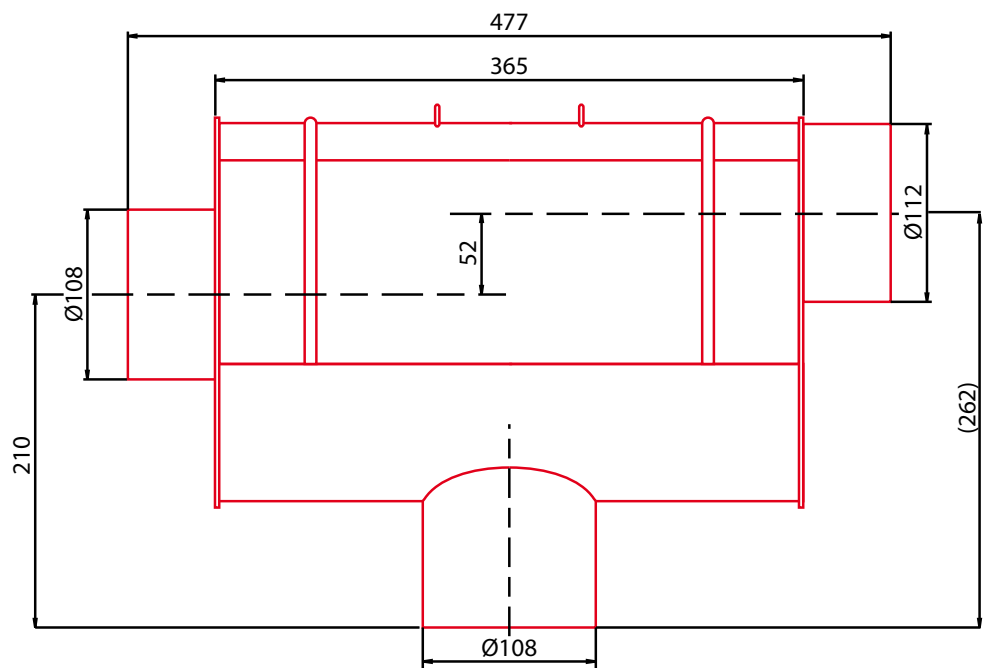
- Only 5 cm (2 in.) height difference between inlet and outlet
- For installation in rainwater storage tanks
- Vertical filter mesh
- Horizontally aligned pipe DN 100
- Rainwater for toilet flushing, washing machine and garden



Minimum height differential, straight piping

Whether for new builds or retrofits: The space-saving LineAr 100 rainwater filter is easy to plan and can be installed without any extra excavation work. There are just five centimeters or two inches height difference between the rainwater inlet and the dirty water outlet. Thanks to this minimal height difference, the LineAr 100 rainwater filter is extremely easy to integrate into existing pipework. It can even be placed directly inside a rainwater storage tank without changing the gradient of existing piping.

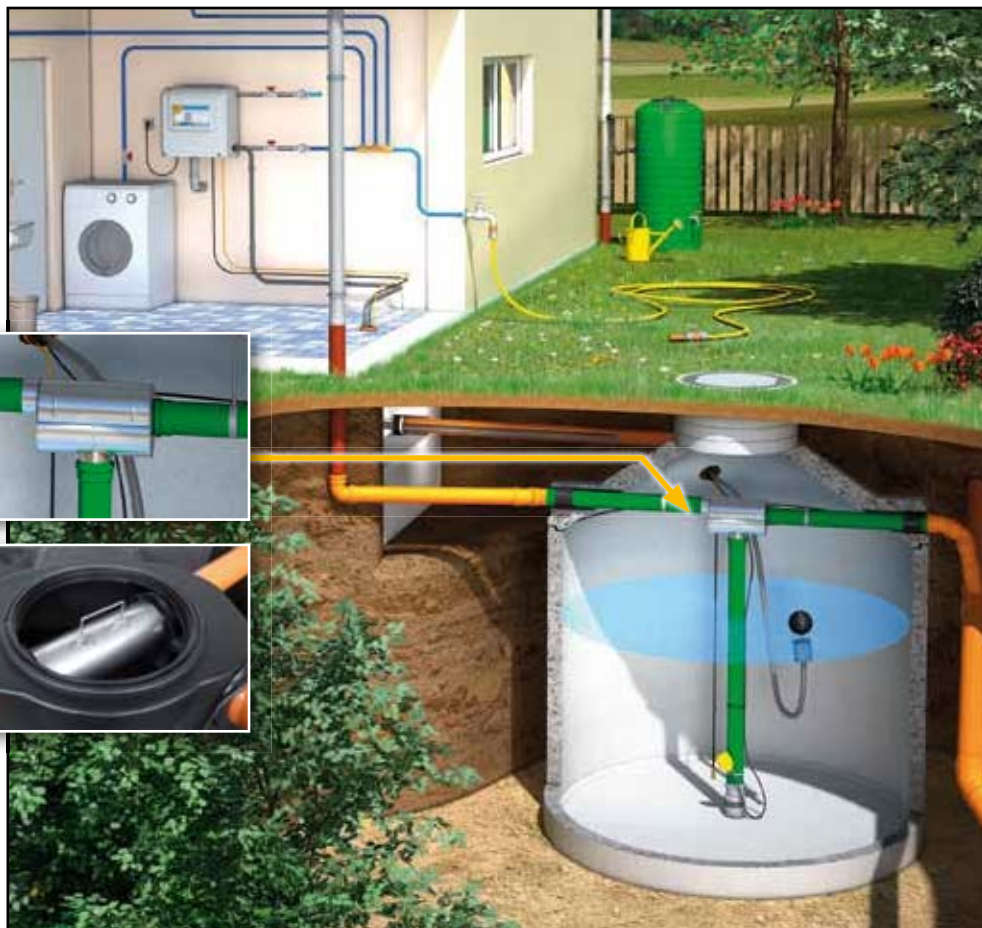
Clean
rainwater for
domestic use



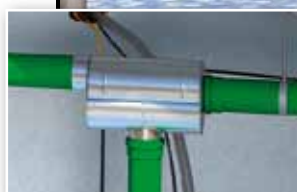
All figures in mm

Sophisticated design

WISY's LineAr 100 rainwater filter has a vertical filter mesh. Leaves, moss and other suspended particles are simply flushed past the filter into the drain outlet. This is the crucial advantage of this design over filter surfaces that are almost horizontal and become clogged with dirt very quickly. The pipe diameter is uniform throughout the LineAr 100 rainwater filter. Even a tennis ball washed off the roof by rain can pass unhindered through the filter housing.



LineAr 100 rainwater filter inside a concrete rainwater tank. The height difference between the inlet and outlet is only 5 cm. (2 in.).



Installation in the access shaft of a flat tank.



The filter insert is easy to remove for cleaning.



Technical data

Height difference between rainwater inlet and soakaway or storm drain outlet	5 cm (2 in.)
Filter mesh size	0.44 mm (0.017 in.)
Water yield at 1.4 l/sec	> 90 %
Maintenance intervals	2 to 3 times per year
Diameter of connecting pipes inlet socket, drain pipe	DN 100

LineAr 100 rainwater filter

Item No.

- LineAr 100 rainwater filter. 5 cm (2 in.) height difference between rainwater inlet and rainwater outlet. Filter body and filter element made of stainless steel 1.4301, filter mesh size 0.44 mm (0.017 in.).

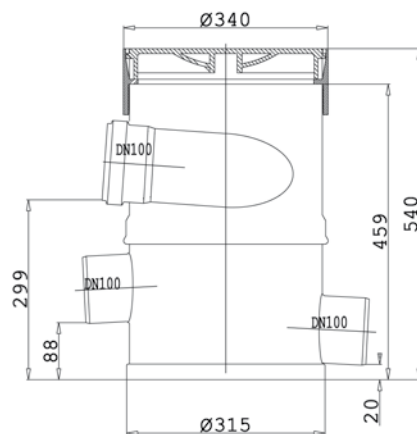
LF 1100

- 1 Stainless steel housing
- 2 Stainless steel filter insert
- 3 Rainwater inlet socket DN 100
- 4 Outlet to rainwater tank
- 5 Soakaway or storm drain outlet

VORTEX FINE FILTER WFF 100 / 150

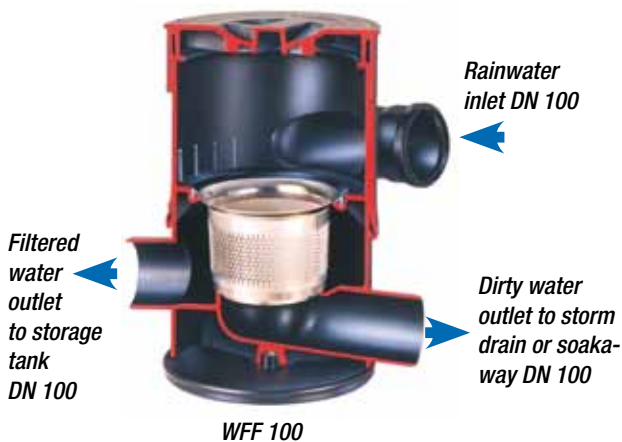
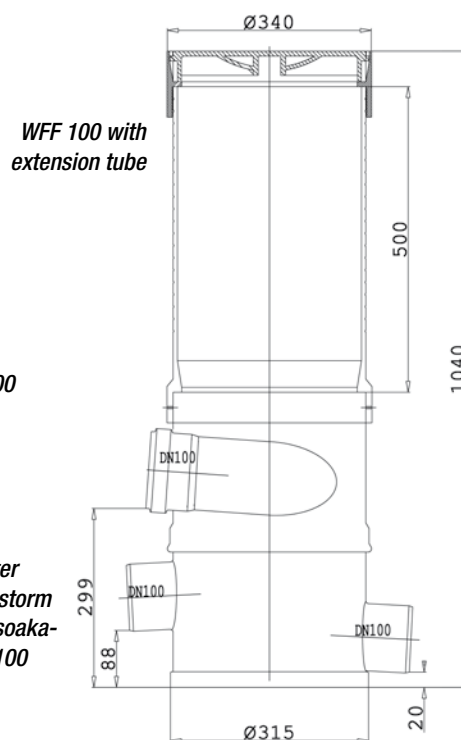
Rainwater filter for installation in horizontal rainwater pipes underground or in the open air (e.g. for industrial applications). Optionally available with 50 cm (1.6 ft.) extension tube for raising the inspection opening to ground level. Freely rotatable rainwater inlet. Tested to German standard ATV: Vehicle-duty capacity up to 30 t. Polypropylene housing (PP). Stainless steel filter insert, low-maintenance. It is recommended to clean the filter insert in the dishwasher. Filter mesh size 0.28 mm (0.011 in.) (basic version) or 0.44 mm (0.017 in.). Drainage safety according to DIN EN 12056 / EN 752, complies with DIN 1989.

WFF 100 without extension



WFF 100 with extension tube

30t vehicle-duty capacity
Tested to German standard ATV:
Vehicle-duty capacity up to 30t
(DIN 1072/SLW 30)

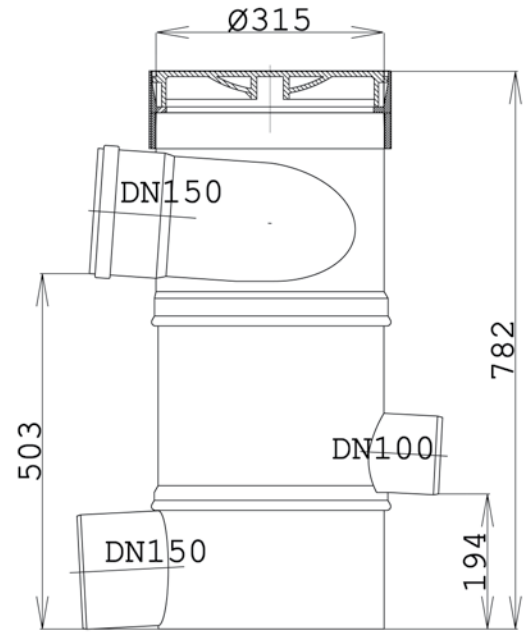
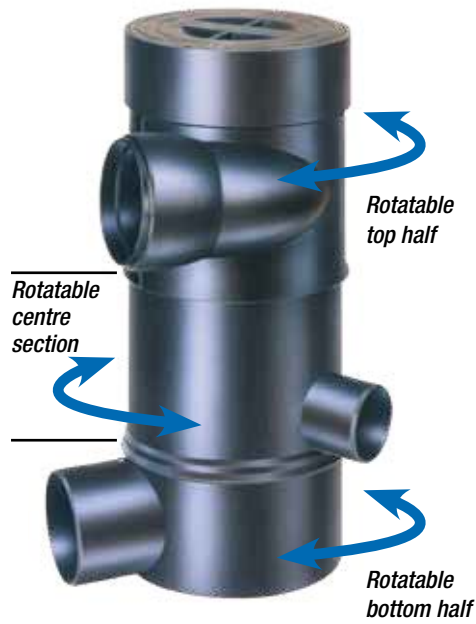


WFF 100/150

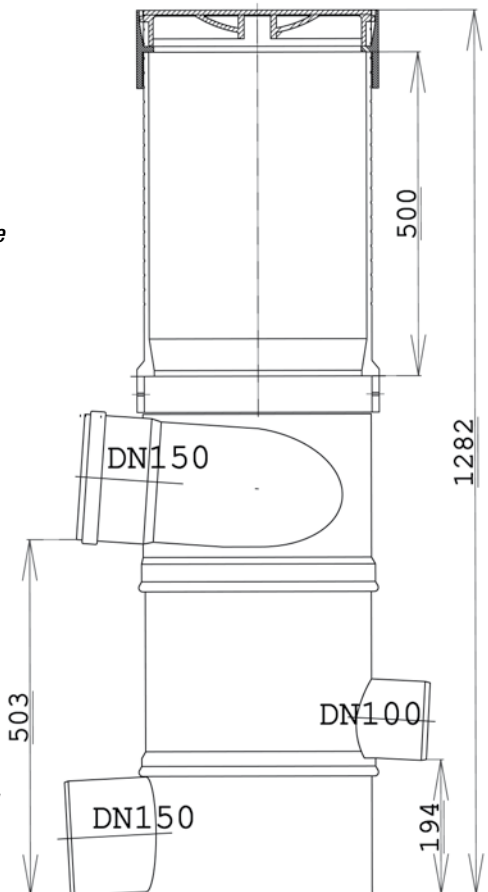
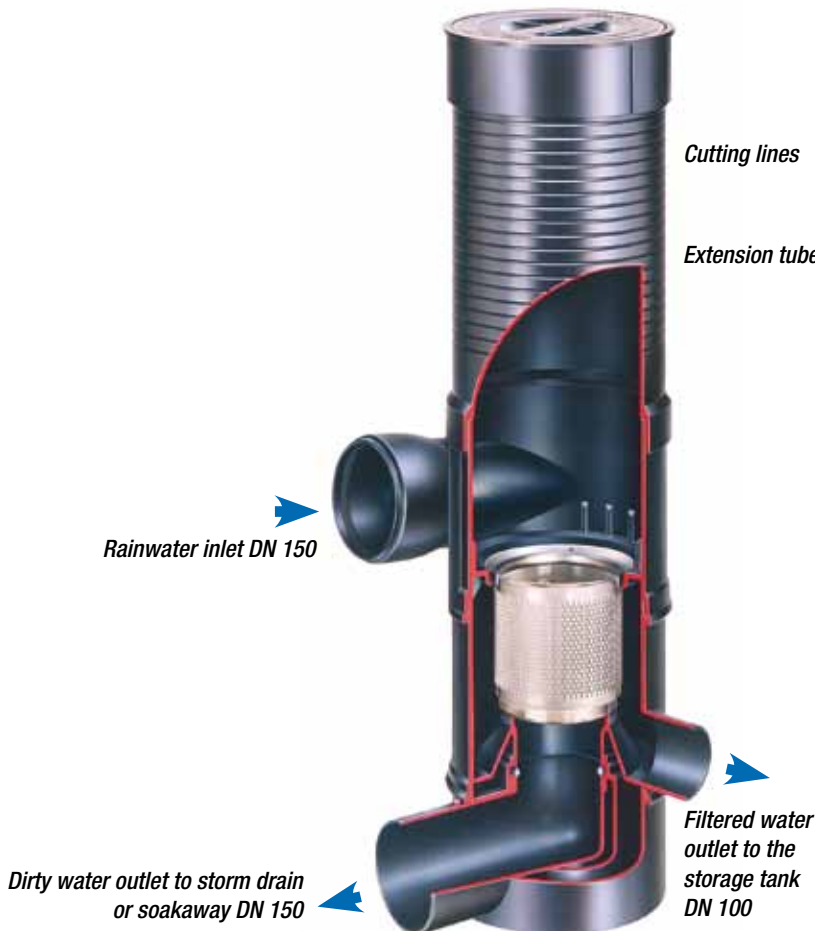
- Guarantees safe drainage
- Separates all dirt particles
- Oxygen enrichment by vortex action
- Low maintenance requirements
- Excellent water yield

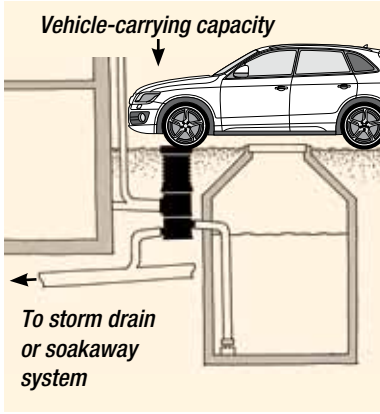


WFF 150 without extension



WFF 150 with extension tube





Vortex Fine Filter WFF 100 / 150

Item No.

consists of housing, end ring with housing cover and lifting handle (30 cm/11.8 in.) in the following versions:

- With extension tube filter insert 0.28 mm (0.011 in.)
- With extension tube filter insert 0.44 mm (0.017 in.)
- Without extension tube filter insert 0.28 mm (0.011 in.)
- Without extension tube filter insert 0.44 mm (0.017 in.)

WFF 100	WFF 150
WF 2011	WF 1011
WF 2012	WF 1012
WF 2002	WF 1002
WF 2001	WF 1001

Spare Parts for WFF 100 / 150

Item No.

- Housing cover WN 1002
- End ring ZW 1000
- Filter insert WFF 100, made of stainless steel (VA), height 15.5 cm (6.10 in.)
 - Mesh size 0.28 mm (0.011 in.) WE 0305
 - Mesh size 0.44 mm (0.017 in.) WE 0306
- Filter insert WFF 150, made of stainless steel (VA), height 21.5 cm (8.46 in.)
 - Mesh size 0.28 mm (0.011 in.) WE 0300
 - Mesh size 0.44 mm (0.017 in.) WE 0301
- Filter insert for WFF 100 with titanium nitride coating for industrial applications, height 15.5 cm (6.10 in.)
 - Mesh size 0.28 mm (0.011 in.) WE 0402
 - Mesh size 0.44 mm (0.017 in.) WE 0403
- Filter insert for WFF 150 with titanium nitride coating for industrial applications, height 21.5 cm (8.46 in.)
 - Mesh size 0.28 mm (0.011 in.) WE 0404
 - Mesh size 0.44 mm (0.017 in.) WE 0405
- Stainless-steel lifting handle (VA) to lift out filter insert for maintenance
 - Length 30 cm (11.8 in.) **(standard)** WA 0301
 - Length 63 cm (2 ft.) WA 0302
 - Length 100 cm (3.3 ft.) WA 0303
- Demonstration model WFF 100: Prepared for demonstration purposes WS 2001
- Demonstration model WFF 150: Prepared for demonstration purposes WS 1001



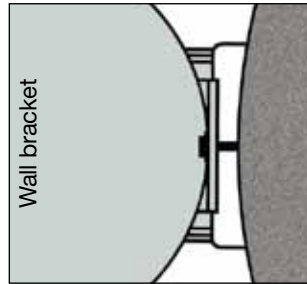
Accessories for WFF 100 / 150

Item No.

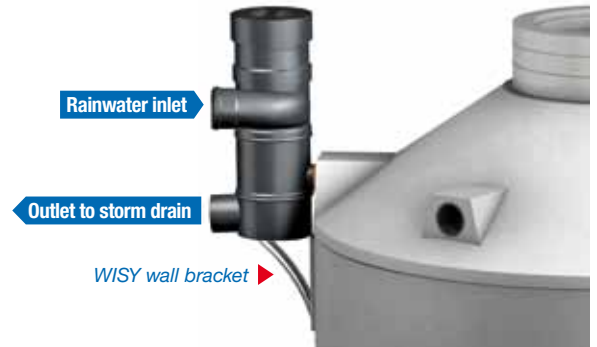


- Stainless-steel wall bracket (VA) for concrete rainwater storage tank

WH 0400



For secure attachment: The wall bracket can fit any curvature of storage tank.



- Additional extension tube length 50 cm (1.6 ft.) made of polypropylene (PP) to raise the inspection opening to ground level. The extension tubes are fitted with a collar to fit the filter housing. Cutting lines around outer circumference make it easy to cut the tube accurately to the required mounting depth.

WV 1010

- Stainless-steel wall-mounting bracket (VA) for installing filter on a vertical wall

WH 0303

- Blind insert made of stainless steel (VA) Ensures direct throughflow of water to the storm drain or soakaway system, during winter operation or maintenance (*not illustrated*) for WFF 100

BE 0305

BE 0302



- Stainless-steel soakaway strainer (VA) For trapping the fine and coarse dirt from the rinsing and excess water if the water is released into an underground soakaway system rather than a storm drain. Mesh size 1.6 mm (0.063 in.) for WFF 100, height 8.5 cm (3.3 in.)

VS 0304

VS 0301

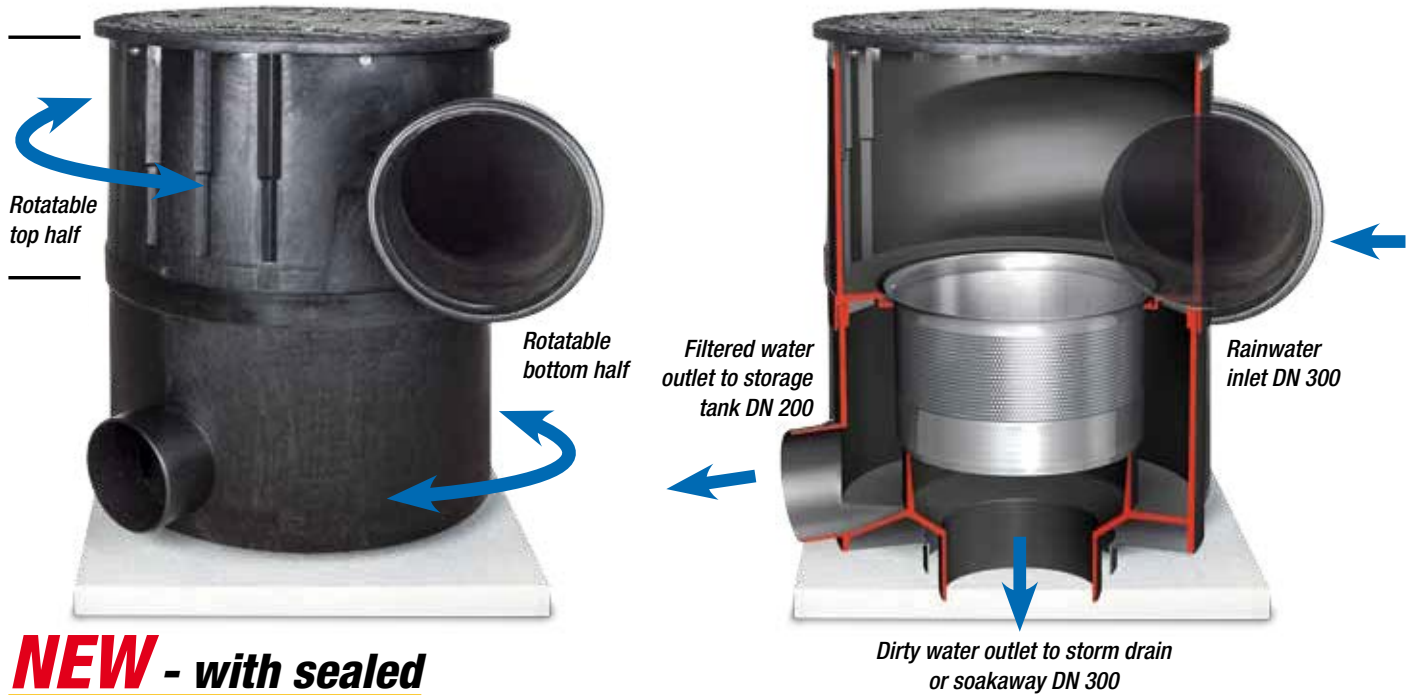


VORTEX FINE FILTER WFF 300

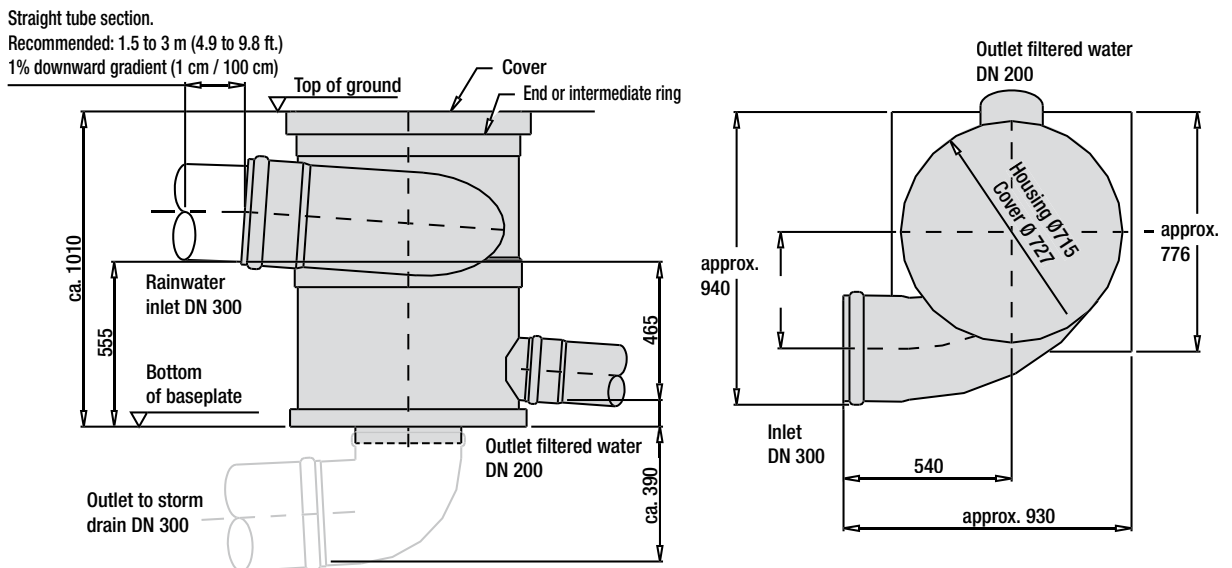
FILTRATION

60t vehicle-duty capacity
Tested to German standard ATV:
Vehicle-duty capacity up to 60t
(DIN 1072/SLW 60)

Rainwater filter for installation underground or in the open air (e.g. for industrial applications). Vehicle-duty capacity tested to German standard ATV: Vehicle-duty capacity up to 60 t depending on cover version. Polypropylene housing (PP). Stainless steel filter insert. Filter mesh size 0.38 mm (0.015 in.). Consists of housing, plastic or steel cover, low maintenance filter insert, baseplate and 50 cm lifting handle. Drainage safety according to DIN EN 12056 / EN 752, complies with DIN 1989.



NEW - with sealed plastic cover



Note: When installing the WFF 300, make sure that the rainwater is admitted to the filter through a straight tube section of at least 1.5 metres (4.92 ft.) in length. The tube should be installed along a downward gradient of around 1 cm per metre. To ensure optimum operation of the system, this tube section must not include any elbows or deflections.

Vortex Fine Filter WFF 300

- WFF 300 with plastic cover, pedestrian duty
- WFF 300 with steel cover, vehicle-duty capacity up to 60 t (vehicles as defined by DIN 1072/SLW60)
- All versions of the WFF 300 are optionally available in a short version with overall height of only 800 mm. See following page.

Art.-Nr.

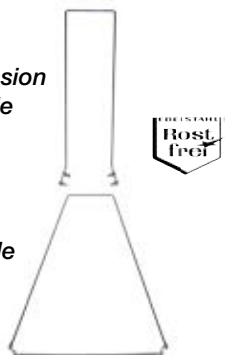
WF 3010

WF 3001

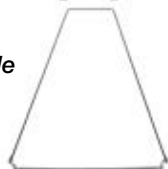
Steel cover



Extension handle



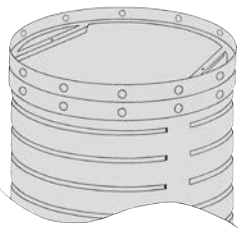
Lifting handle



Child safety lock steel cover



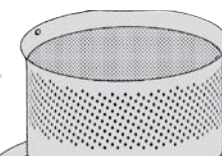
End ring steel cover



Cutting lines

Extension tube

Filter insert



End ring steel cover

Rain-water inlet

Outlet to storage tank

Outlet to storm drain

Baseplate

Spare Parts

Item No.

- Filter insert made of stainless steel, mesh size 0.38 mm (0.015 in.)
- Stainless-steel lifting handle, length 50 cm (1.6 ft.), to lift out filter insert for maintenance.
- Non-slip steel cover
Vehicle-duty capacity up to 60 t (DIN 1072/SLW60)
- Demonstration model prepared for demonstration purposes

- WE 0307
- WA 0305
- WF 4001
- WS 3001

Accessories

Item No.

- Stainless-steel extension handle
Length 50 cm (1.6 ft.)
Length 100 cm (3.3 ft.)
- Extension tube (PE), black
For raising inspection opening to ground level, diameter 70 cm (2.3 ft.), length optional up to max. 140 cm (4.6 ft.), price per 10 cm
- Intermediate ring: Required to connect the extension tube in combination with steel cover
- End ring with certified child safety device. Only required in combination with steel cover
- Soakaway strainer (not illustrated)
- Stainless-steel blind insert to prevent water inflow to the storage tank. Ensures direct throughflow of water to the storm drain or soakaway system, during winter operation or maintenance

- WA 0307
- WA 0309
- WV 1030
- RS 1020
- RA 1020
- VS 0310
- BE 0306

WFF 300

- Guarantees safe drainage
- Separates all dirt particles
- Oxygen enrichment by vortex action
- Low maintenance requirements
- Excellent water yield



VORTEX FINE FILTER WFF 300, REDUCED SIZE

With reduced invert differential

The difference in elevation between the rainwater inlet and outlet is only 800 mm, i.e. 145 mm less than the standard WFF 300 model. The short version of the WFF 300 is available with two different cover designs.

Vortex fine filter short

- WFF 300 short, with plastic cover, pedestrian duty
- WFF 300 short with steel cover, vehicle-duty capacity of up to 60 t (acc. to DIN 1072)

Item No.

WF 3020

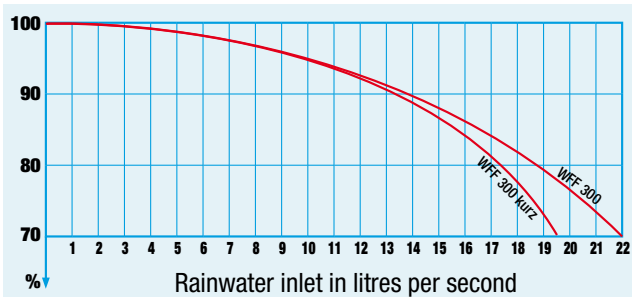
WF 3023

For accessories see previous page, WFF 300.

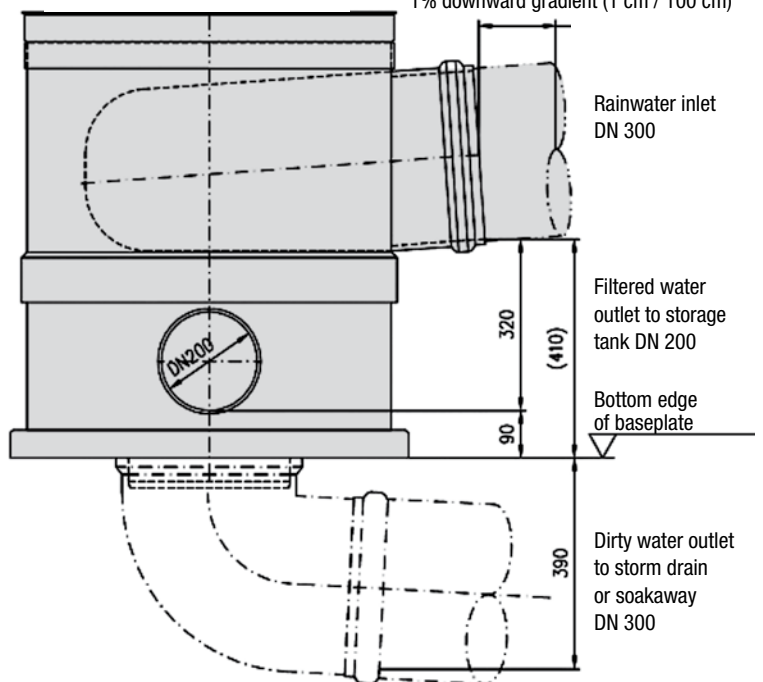


Comparison - short version on left and standard version on right

Efficiency chart for WISY vortex fine filters WFF 300



Straight tube section.
Recommended: 1.5 to 3 m (4.9 to 9.8 ft.)
1% downward gradient (1 cm / 100 cm)



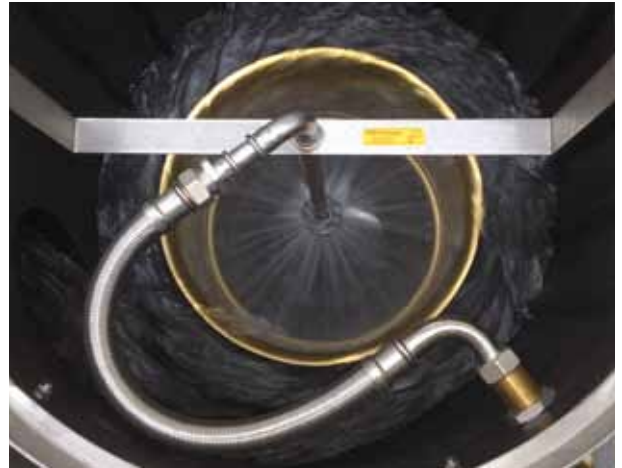
Cleaning nozzle for industrial applications



A vortex fine filter equipped with the fully automatic cleaning nozzle is capable of performing extremely challenging tasks in water recycling or separation plants. This nozzle cleans the filter with a fine water spray. The filter surface is kept clean for long periods without any need for maintenance.

The spraying device for the WFF 100 and WFF 150 vortex fine filters is installed in an external shaft extension above the filter. The spraying device for WFF 300 can be installed directly in the filter housing.

The cleaning nozzle operates fully automatically. In terms of cleaning, the filter is virtually maintenance-free. The service life of the filter is extended, while the consumption of fresh and wastewater and the energy usage associated with the process are minimized.

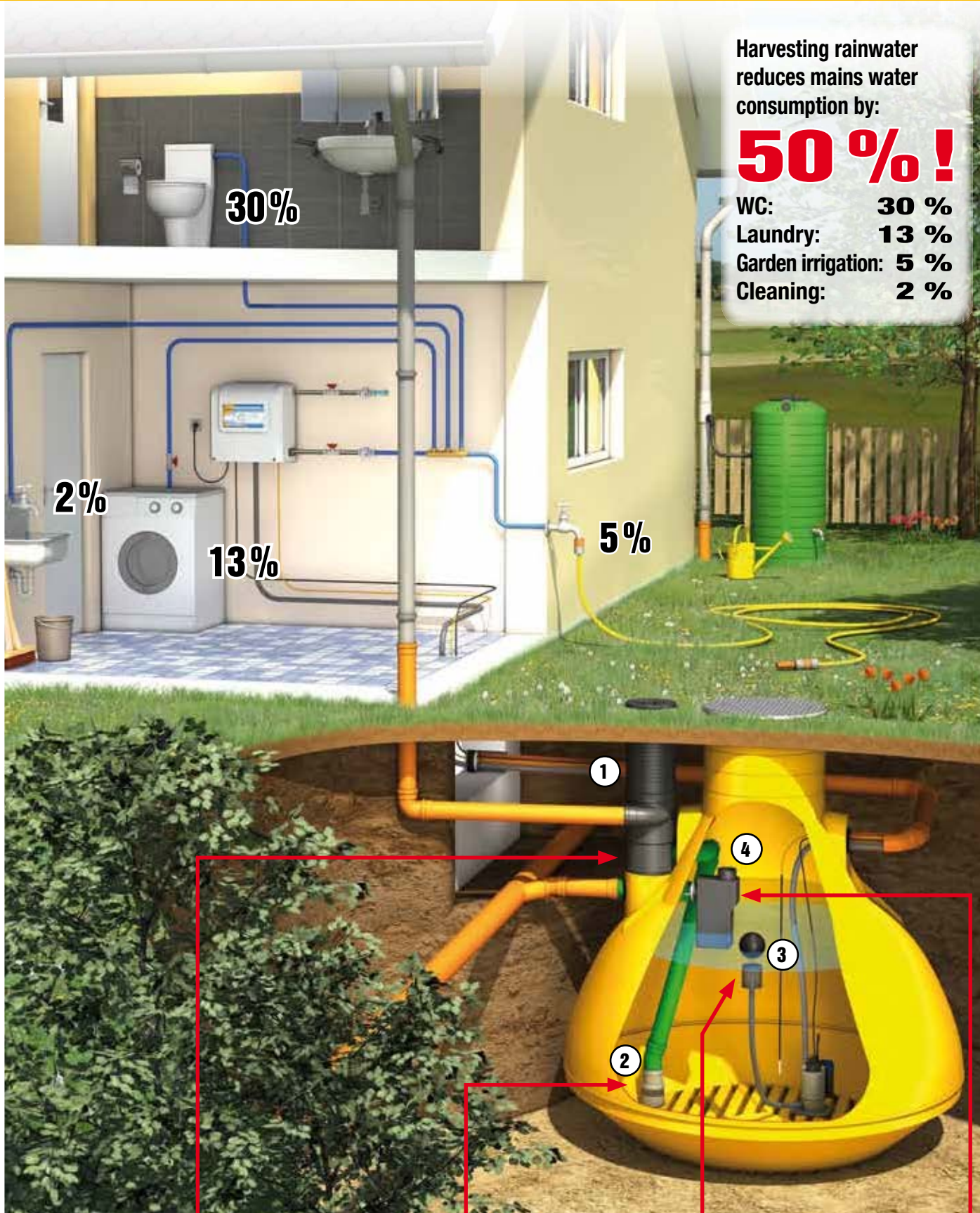


*Cleaning nozzle for
Vortex Fine Filter WFF 300*

Cleaning Nozzle	Item No.
● WFF 100 cleaning nozzle, pump w/o timer	SC 1000
● WFF 150 cleaning nozzle, pump w/o timer	SC 2000
● WFF 300 cleaning nozzle, pump w/o timer	SC 3000

4-STAGE CLEANSING PRINCIPLE

RAINWATER UNITS



Harvesting rainwater reduces mains water consumption by:

50%!

- WC: 30 %
- Laundry: 13 %
- Garden irrigation: 5 %
- Cleaning: 2 %

Stage 1
Filtering with WISY vortex fine filter with separation of dirt particles and oxygen enrichment

Stage 2
WISY smoothing inlet prevents resuspension of sediment and distributes the fresh, oxygen-rich water in the storage tank

Stage 3
Water is extracted with the WISY floating suction filter suspended at the optimum height

Stage 4
Overflow with skim effect, odour seal, vermin guard and backflow prevention with WISY multisiphon

	MULTIMAT	SIGMA	OPTIMA	OPTIMAPLUS	MAXIMA
ADVANTAGE	NO PUMP NOISES	EASY INSTALLATION	INCREASED PRESSURE	STRONG TANK PUMP	FOR BIG BUILDINGS
PIPE LENGTH FROM STORAGE TANK TO RAINWATER UNIT		UP TO 15 m	12 TO 20 m	OVER 20 m	UP TO 20 m
PUMP CONTROLLER ZETA 02	✓	✓	✓	✓	✓
PUMP IN RAINWATER UNIT	-	✓	✓	✓	✓
SUBMERSIBLE PUMP IN STORAGE TANK	✓	-	✓	✓	✓
INTEGRATED TANK VOLUME	-	9 LITRES	9 LITRES	9 LITRES	100 LITRES
MAINS WATER TOP-UP INTO	STORAGE TANK	TOP-UP TANK	TOP-UP TANK	TOP-UP TANK	BUFFER TANK
PRESSURE INDICATOR	✓	✓	✓	✓	✓
LEVEL INDICATOR	OPTIONAL EXTERNAL	OPTIONAL INTERNAL	OPTIONAL INTERNAL	OPTIONAL EXTERNAL	OPTIONAL EXTERNAL



All WISY Rainwater units
including efficient
ZETA 02 pump controller

MULTIMAT RAINWATER UNIT



Control unit and mains water top-up indoors



Pressure pump with floating suction filter in the storage tank

Noiseless inside the house

The Multimat rainwater unit operates with two separate cables between the storage tank and the wall unit. This arrangement makes the system easy to install and ensures lasting operational reliability. Two sockets must be provided by the client.

The Multimat rainwater unit uses a submersible pressure pump to pump rainwater out of the storage tank and feed it under pressure into the rainwater supply circuit. It controls the rainwater system, monitors the fill level of the storage tank and automatically tops up the rainwater storage tank with mains water when required. Supplied ready to connect, complies with DIN EN 1717 and DIN 1989.

Benefits:

- Extremely compact
- Noiseless inside the house
- Reliable in operation thanks to pressure pump system
- Submersible pressure pump pumps rainwater out of the storage tank and feeds it under pressure into the rainwater supply circuit.
- Controls the rainwater system, monitors the fill level of the storage tank and automatically tops up the rainwater storage tank with mains water when required.

Multimat rainwater unit	Item No.
-------------------------	----------

- | | |
|---|---------|
| ● Multimat with submersible pressure pump Multigo 205, max. delivery rate 80 l/min., max. delivery head 48 m | RW 9008 |
| ● Multimat with submersible pressure pump Multigo 407, max. delivery rate 125 l/min., max. delivery head 49.4 m | RW 9012 |

The scope of supply consists of:

Wall unit in the house with:

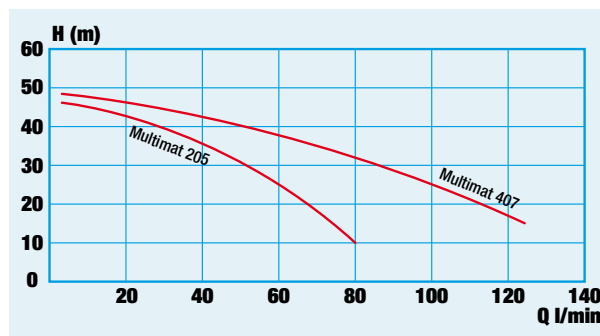
- Pump controller Zeta 02, cut-in pressure 1.5 bar with pressure gauge and operating state indicator
- Open mains water outlet with solenoid valve, 1/2" for Multimat 205 and 3/4" for Multimat 407, connecting hose made of special-purpose rubber with stainless-steel braiding, ball valve with dirt trap
- Wall bracket made of stainless-steel with fixings
- Labelling set

Storage tank equipment with floating fine suction filter:

- Multi-stage submersible pressure pump Multigo with stainless-steel baseplate (22 cm x 22 cm/8 in. x 8 in.), 20 m connecting cable and 3 m lifting strap. With 1" nozzle and backflow prevention valve at discharge end
- Float switch, with switch lever and clamp with 20 m cable
- Adapter plug
- Floating suction filter made of stainless steel, mesh size 0.3 mm (0.01 in.), with 0.75 m (2.5 ft.) highly flexible suction tube

Recommended accessories	Item No.
-------------------------	----------

- | | |
|--|---------|
| ● Hose connection set for Multimat, (for rainwater distribution system) 1x 3/4" pressure hose assembly with elbow and 3/4" ball valve | RW 7001 |
| ● Two surface-mounted water meters 2 x 1" outside thread, for Multimat, two connections for water meters 1" union nut and 3/4" outside thread, 1" union nut and 1/2" inside thread | RW 7010 |
| ● Flexible tube DN 50, 25 m roll | WD 2000 |
| ● Adapter flexible tube to tundish | WD 2021 |
| ● Pressure hose 1", up to 12 bar | DS 2003 |



Operating characteristic at 2850 rpm



Sigma with cover



Dimensions of the Sigma wall unit (in mm):
W 500 x H 510 x D 315



Sigma without cover

The
inexpensive
solution!

Fully automatic rainwater unit for supplying a single-family home with rainwater.

The unit draws rainwater from a storage tank and feeds it under pressure into the rainwater supply circuit. The unit controls the entire rainwater supply system, checks the fill level of the storage tank and automatically switches over to mains water operation when required. Supplied ready to connect. Complies with DIN 1989 and DIN EN 1717

Benefits:

- Operates fully automatically to supply household appliances with rainwater on demand
- Automatic mains water top-up with integral 9-litre top-up tank
- System can be manually switched over from rainwater operation to mains water operation at any time
- Optimum price/performance ratio
- Less than 0.2 W standby consumption

Sigma rainwater unit

- Sigma 3, delivery head max. 34 m, delivery rate max. 66l/min
without level indicator
with level indicator
- Sigma 4, delivery head max. 44 m, delivery rate max. 66l/min.
without level indicator
with level indicator

Item No.

RZ 1003
RZ 1013
RZ 1004
RZ 1014

The scope of supply consists of:

- Self-priming Aspri Plus pump and pump controller, available in two different versions (3 or 4 bar), with optional level indicator
- Pressure gauge (pressure indicator)
- DIN-compliant mains water top-up function, integral 9-litre top-up tank
- Cover
- Float switch for controlling top-up with mains water

Recommended accessories

● SIGMA Cistern Connection Set (1")

Consists of floating fine suction filter SAFF with non-return valve, 10 m flexible suction hose, 2 stainless steel hose clamps and 1 hose connector.

SA 1002

● Hose Connection Set for OPTIMA / SIGMA / SIGURA 9

consisting of two pressure hose assemblies (3/4" and 1"), each 0.5 m (1.6 ft.) in length, 3/4" ball valve with dirt trap and 1" ball valve.

RW 7800

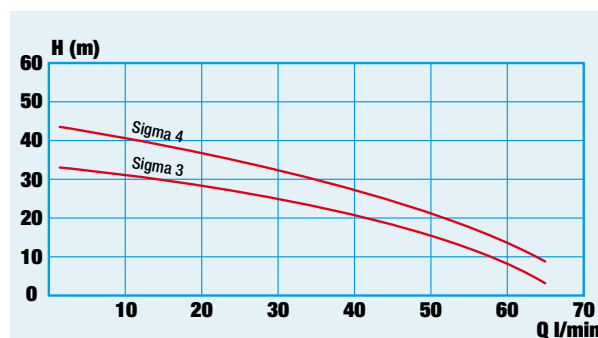
- Two surface-mounted water meters 2 x 1" outside thread, for hose connection set above and two connections for water meters 1" union nut and 3/4" outside thread

RW 7810

- Wall bushing WD 100 contains four bores:

1 x 36 mm (1.4 in.) / 2 x 10 mm (0.4 in.) / 1 x 6 mm (0.2 in.)

WD 1100



Operating characteristic at 2900 rpm

OPTIMA RAINWATER UNIT



Rainwater unit Optima

Dimensions of the Optima wall unit (in mm):
W 500 x H 510 x D 315

Convenient solution for family homes



Loading pump Provedo VX for Optima 4 and 5



Optima without cover

The rainwater unit combines all components essential for operation in a single device. Pumps the rainwater out of the storage tank and feeds it under pressure into the rainwater supply circuit. Controls the entire rainwater system, monitors the fill level of the storage tank and automatically tops up with mains water in the wall unit when required.

Supplied ready to connect, complies with DIN EN 1717 and DIN 1989.

Benefits:

- Highly reliable rainwater supply by submersible loading pump
- Manual switchover from rainwater operation to mains water operation at any time
- Space-saving compact design
- Less than 0.2 W standby consumption

Optima with loading pump and floating filter SAFF

Item No.

● Optima 4, with 4 bar system pressure, max. delivery rate 70 l/min. without level indicator	RW 9924
with level indicator	RW 9914
● Optima 5, with 5 bar system pressure, max. delivery rate 70 l/min. without level indicator	RW 9925
with level indicator	RW 9915

The scope of supply consists of:

Wall unit in the house with:

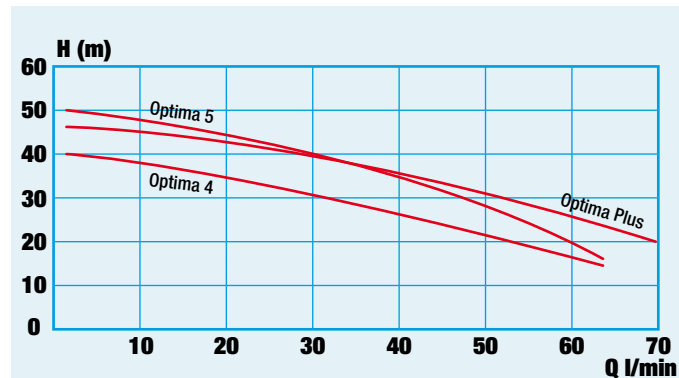
- Normal-priming, multi-stage centrifugal pump
- Pump controller Zeta 02, cut-in pressure 1.5 bar with pressure gauge
- Level indicator (optional), with 13 m measuring lead
- Automatic mains water top-up by 9 l top-up tank
- Cover, wall-mounting bracket

Storage tank equipment with:

- Provedo VX submersible pressure pump with fixed vertical float switch, 20 m connecting cable, 1" nozzle at discharge end with non-return valve, 3 m lifting strap and hook with screw thread
- Stainless-steel baseplate 22 cm x 22 cm (8 in. x 8 in.) for submersible pressure pump
- Stainless-steel floating fine suction filter, mesh size 0.3 mm (0.01 in.), with 0.75 m (2.46 ft.) flexible suction tube

Optima + Optima Plus

Operating characteristic at 2900 rpm





Included in the scope of supply:
Hose nozzle with integrated non-return valve



Dimensions of the OptimaPlus wall unit (in mm):
W 500 x H 510 x D 315

OptimaPlus – ideal for long distance or large height differential between the storage tank and wall unit

The rainwater unit combines all components essential for operation in a single device. Pumps the rainwater out of the storage tank over long distances and large height differentials and feeds it under pressure into the rainwater supply circuit.

Controls the entire rainwater system, monitors the fill level of the storage tank and automatically tops up with mains water in the wall unit when required.

Supplied ready to connect, complies with DIN EN 1717 and DIN 1989.

Benefits:

- Highly reliable rainwater supply by submersible loading pump
- Manual switchover from rainwater operation to mains water operation at any time
- Suitable for long distances and large height differentials

OptimaPlus

Item No.

- OptimaPlus, max. delivery rate 70l/min., max. delivery head 47 m, max. feed pressure 4.7 bar

RW 98 00

The scope of supply consists of:

Wall unit in the house with:

- Normal-priming, multi-stage centrifugal pump, max. feed pressure 4.7 bar
- Pump controller Zeta 02, cut-in pressure 1.5 bar with pressure gauge and operating state indicator
- Automatic mains water top-up
- Operating state indicator for mains
- Cover, wall-mounting bracket

Storage tank equipment with:

- Multigo 205 multi-stage submersible pressure pump, max. feed pressure 4.7 bar with 3.5 m connecting cable (4-core), 1" nozzle with non-return valve at discharge end, 3 m lifting strap
- Stainless-steel baseplate 22 cm x 22 cm (8 in. x 8 in.) for Multigo
- Stainless-steel float switch with switch lever and clamp
- Stainless-steel fine suction filter, mesh size 0.3 mm (0.01 in.) with 0.75 m (2.46 ft.) highly flexible suction tube
- 22 m (72.9 ft.) cable extension (4-core) with connector and coupling IP 68
- Labelling set

Accessories for all Optima units

Item No.

● OPTIMA Cistern Connection Set

- 3 m flexible pressure hose 1", cistern
- PE tube connector, 90°, 32 mm x 1" nozzle, made of brass, cistern
- 4 stainless steel hose clamps
- PE tube connector, 90°, 32 mm x 1" inside thread, made of brass, utility room
- Connecting hose (1") with stainless-steel braiding, 1" nipple, 1" union nut, connection wall unit To be provided on site: PE pipe 32 mm x 1", Cistern - utility room

OA 1002

● Hose Connection Set for OPTIMA / SIGMA / SIGURA 9

- consisting of two pressure hose assemblies (3/4" and 1"), each 0.5 m (1.6 ft.) in length, 3/4" ball valve with dirt trap and 1" ball valve

RW 7800

● Wall bushing WD 100 contains four bores:

- 1 x 36 mm (1.4 in.) / 2 x 10 mm (0.4 in.) / 1 x 6 mm (0.2 in.)

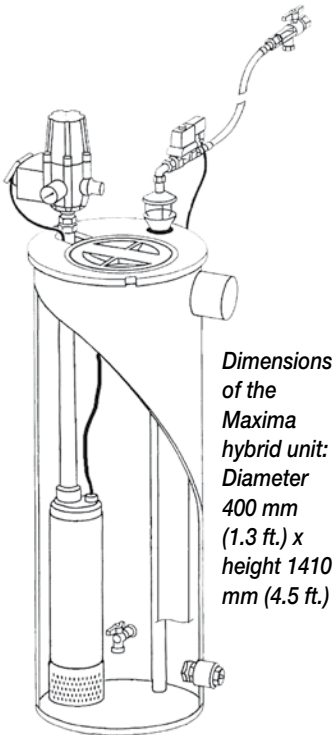
WD 1100

MAXIMA RAINWATER UNIT



Hybrid unit indoors

Submersible loading pump in storage tank



Dimensions of the Maxima hybrid unit: Diameter 400 mm (1.3 ft.) x height 1410 mm (4.5 ft.)



Non-return valve

Large hybrid unit ensures high supply capacity

Combines all components required to operate the rainwater supply system according to the two-pressure-pump principle.

Rainwater is pumped by the submersible loading pump out of the storage tank to the buffer tank of the indoor hybrid unit. A submersible loading pump inside the buffer tank supplies rainwater to appliances. The buffer tank of the unit is directly topped up with mains water, buffer storage volume 100 l for high consumption peaks. Complies with DIN 1989 and DIN EN 1717

Benefits:

- System supplied ready to connect, no electrical work required
- Quiet in operation thanks to submersible pumps
- Manual switchover between rainwater operation and mains water operation possible at any time
- High supply and operational reliability even during periods of peak consumption

Maxima	No. of consumers (guide value)	Maximum delivery rate	Maximum delivery head
205	2 to 4 households	75 l/min.	48 m (480 kPa)
407	4 to 8 households Commerce + industry	125 l/min.	49 m (490 kPa)

Maxima rainwater unit

	Item No.
● Maxima 205 controller attached to unit	ZE 9901
● Maxima 407 controller attached to unit	ZE 9903
● Maxima 205 controller for wall mounting	ZE 9801
● Maxima 407 controller for wall mounting	ZE 9803

The scope of supply consists of:

Indoor hybrid unit with:

- Capacity 100 l (26.39 gallons) with emergency overflow DN 100 (3.9 in.)
- Multigo 205 or 407 multi-stage submersible loading pump with rubber feet
- Pump controller Zeta 02/V with pressure gauge
- Electronic control unit with sensor rod
- Automatic mains water top-up
- Open mains water outlet (1/2" for Maxima 205, 3/4" for Maxima 407), with solenoid valve, ball valve and dirt trap
- Drain valve 1/2"
- Non-return valve in rainwater inlet

Storage tank equipment with:

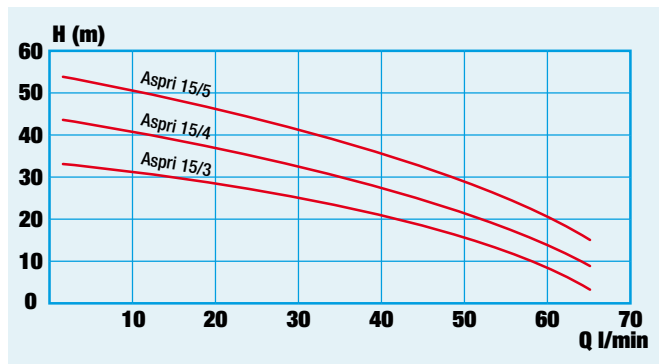
- Provedo VX submersible loading pump with fixed vertical float switch, 20 m connecting cable, 1 1/4" nozzle at discharge end with non-return valve (ST 1011), 3 m lifting strap and hook with screw thread
- Stainless-steel baseplate 22 cm x 22 cm (8 in. x 8 in.) for submersible loading pump
- Stainless-steel floating fine suction filter, mesh size 0.3 mm (0.01 in.), with 0.75 m (2.5 ft.) flexible suction tube

Accessories

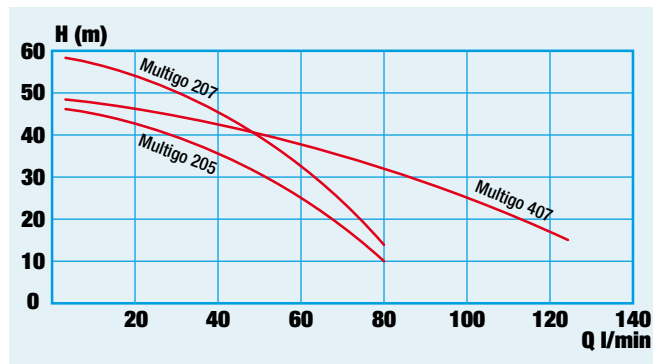
	Item No.
● Hose connection set for Maxima, comprising connection hose 0.50 m (1.6 ft.), 1" union nut, 3/4" brass ball valve with inside thread	VS 9953
● Two surface-mounted water meters 2 x 1" outside thread, for hose connection set above and two connections for water meters 1" union nut and 3/4" outside thread, 1" union nut and 1/2" inside thread	RW 7010
● Non-return valve for the event that the water level in the storage tank can rise above the centre line of the indoor buffer storage tank. The non-return valve closes the inlet to the buffer storage tank. The inlet is opened again only if the storage tank pump is switched on. This system prevents the unintentional inflow of rainwater from the storage tank into the buffer storage tank through the full inlet hose, comprises: Solenoid valve 1 1/4" cable, 1.5 m (4.92 ft.) long and adapter plug	SV 1501

PUMPS

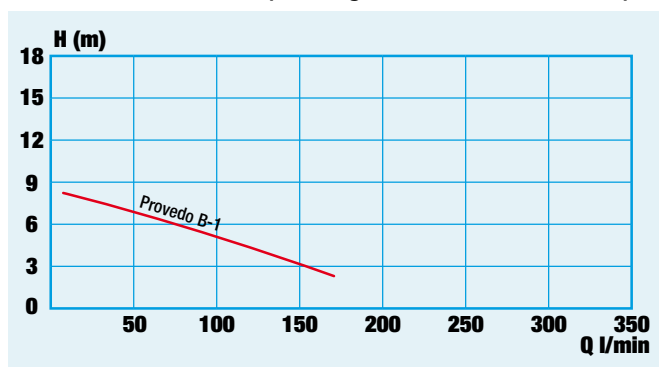
ASPRI PLUS Operating characteristic at 2900 rpm



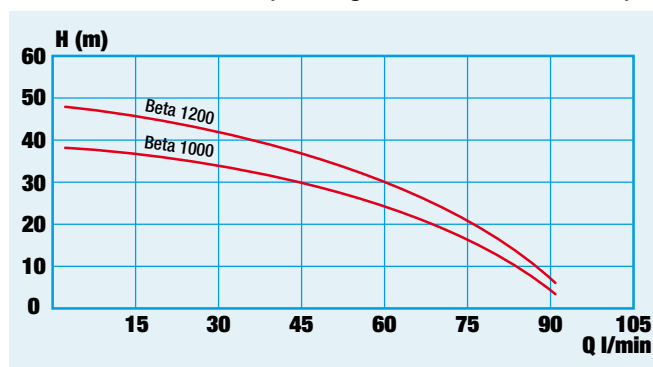
MULTIGO Operating characteristic at 2850 rpm



PROVEDO Operating characteristic at 2850 rpm



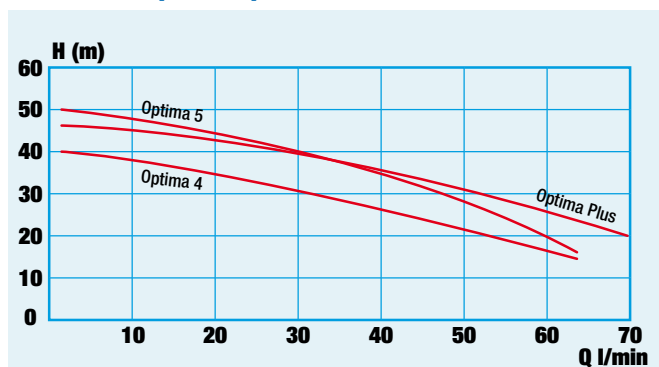
BETA Operating characteristic at 2800 rpm



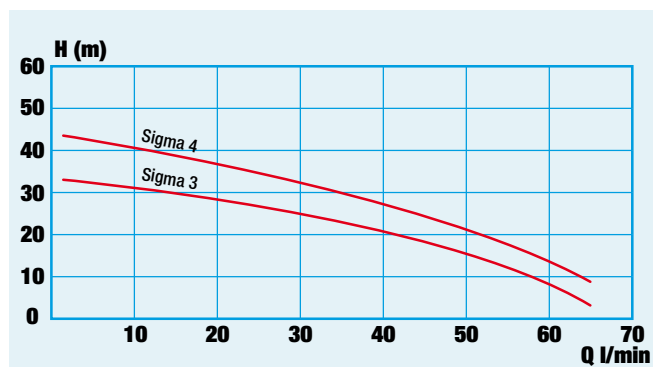
RAINWATER UNITS

RAINWATER UNITS

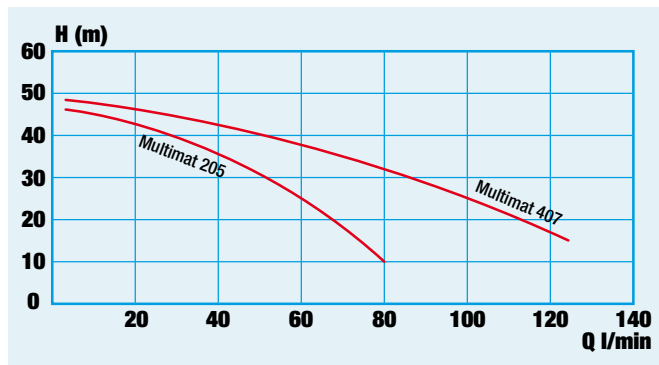
OPTIMA (PLUS) Operating characteristic at 2900 rpm



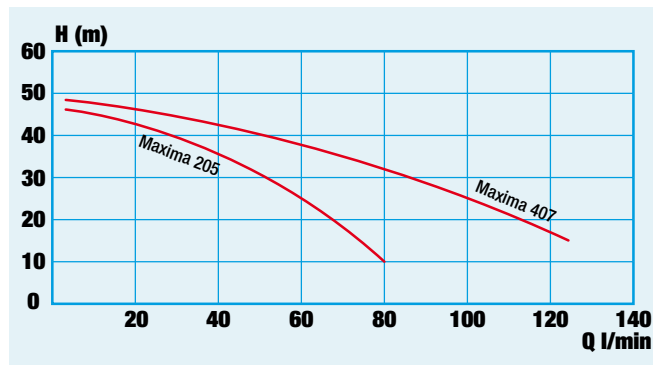
SIGMA Operating characteristic at 2900 rpm



MULTIMAT Operating characteristic at 2850 rpm



MAXIMA Operating characteristic at 2850 rpm



SIGURA 9 BREAK TANK

- Complies with with EN 1717
- Delivery rate 35 l/min with 30 m (300 kPa) delivery head
- Fully automatic modern, compact unit
- Energy-efficient technology, standby consumption less than 0.2 W
- Integral 4-stage centrifugal pump

Included in the scope of supply:

- Open outlet with float valve according to EN 1717
- 9-litre top-up tank
- Prisma non-self-priming multi-stage centrifugal pump
- Zeta 02 pump controller
- Cover with wall-mounting bracket



Dimensions:
 Sigura 9 break tank
 W 500 x H 510 x D 315 mm
 (19.7 x 20.1 x 12.4 in.)

Sigura 9 Break Tank

Item No.

- Sigura 9 Break Tank

TR 5009

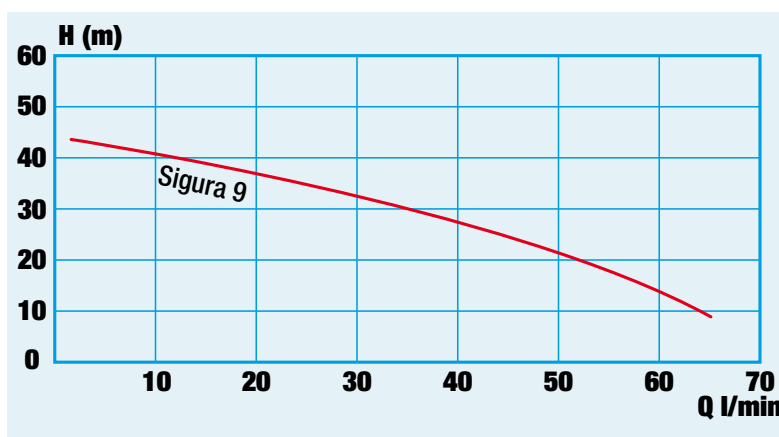
Accessories

Item No.

- **Hose Connection Set for OPTIMA / SIGMA / SIGURA 9**

consisting of two pressure hose assemblies (3/4" and 1"), each 0.5 m (1.6 ft.) in length, 3/4" ball valve with dirt trap and 1" ball valve

RW 7800



Operating characteristic at 2900 rpm

Applications

The SIGURA 9 break tank separates the process water circuit from the mains water supply. It is designed to protect the public supply of potable water against contamination. The mains water top-up system is implemented as an open outlet in accordance with EN 1717 (formerly DIN 1988/4). The SIGURA 9 break tank is installed in a frost-free utility room, draws mains water out of the mains water circuit and feeds it under pressure into the process water circuit. The break tank maintains a water pressure of up to 4.5 bar in the process water circuit. It is also suitable for boosting the pressure in buildings with up to three storeys. It is also designed for use with irrigation systems, car washes, livestock watering installations and any process in general that may not be directly connected to the mains water supply system.

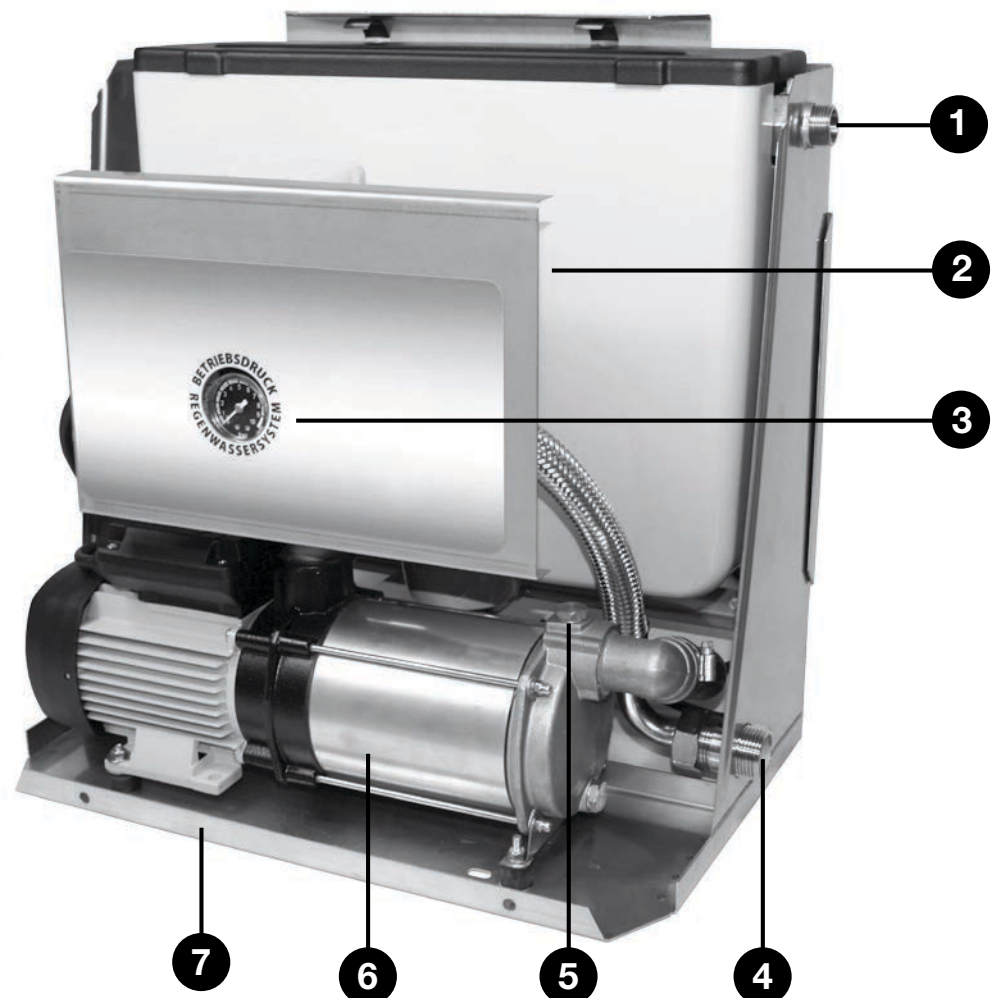
Design and operating principle

The SIGURA 9 system uses tried-and-tested, reliable components. Its Zeta 02 pump controller is especially energy efficient, consuming less than 0.2 watts in standby mode.

The operating principle of the system is extremely simple:

If a valve at one appliance (e.g. irrigation system) is opened, the pressure in the supply circuit drops. If it drops below 1.5 bar, the pump in the break tank starts up and supplies the connected appliances with water. When all valves at the appliances are closed again, the pump controller shuts down the pump when operating pressure is reached. The tank can be topped up with approximately 95 litres of mains water per minute if required. The mains water top-up tank has a storage capacity of 9 litres and is also fitted with an emergency overflow (DN 70) as an additional precaution. A pressure gauge in the sight glass of the SIGURA 9 indicates the current system pressure in the process water circuit. When the system is completely empty of water, the dry run protection system integrated in the pump controller shuts down the pump in the SIGURA 9 tank.

- 1 Mains water connection
- 2 ZETA 02 pump controller (covered, with display and operator panel)
- 3 Operating pressure indicator (pressure gauge)
- 4 Domestic water supply outlet
- 5 Screw plug for venting/filling
- 6 Non-self-priming centrifugal pump
- 7 Base frame



SIGURA 100 / 500 BREAK TANK

- Separation of process water for large scale plants
- Complies with with EN 1717
- Delivery rate of 80 or 120 l/min
- Fully automatic unit
- Standby consumption less than 0.2 Watt
- E.g. for irrigation systems, car washes or livestock watering installations

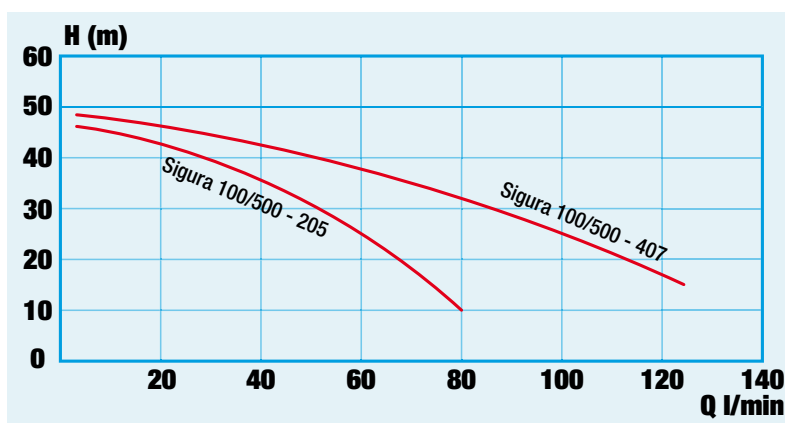


Sigura 100 / 500 Break Tank

- Break Tank Sigura 100-205
- Break Tank Sigura 100-407
- Break Tank Sigura 500-205
- Break Tank Sigura 500-407

Item No.

- TR 5105
- TR 5107
- TR 5505
- TR 5507



Operating characteristic at 2850 rpm

Applications



Horticultural nurseries



Watering livestock



Car washes



Irrigation systems



Food production

Applications

SIGURA break tanks are designed for use with irrigation systems, car washes, livestock watering installations and any process in general that may not be directly connected to the mains water supply system.

Function

The break tanks SIGURA 100 and SIGURA 500 separate the process water circuit from the mains water supply. This protects the public supply of portable water against possible contamination. The mains water top-up system is implemented as an open outlet in accordance with EN 1717. The break tank is installed in a frost-free utility room, draws mains water out of the mains water circuit and feeds it under pressure into the process water circuit. Thus the break tank is also suitable for boosting the pressure in multiple storey buildings.

Design and operating principle

All SIGURA break tanks from WISY use tried-and-tested, reliable components. Its Zeta 02 pump controller is especially energy efficient, consuming less than 0.2 watts in standby mode.

Pump performance

To fit any project, two different pumps are available: The powerful Multigo 407 offers up to 120 l/min, while 80 l/min are handled by the economic Multigo 207.

Buffer tank

The buffer tank makes sure that it is always enough water in the process water circuit. 100 and 500 liter tanks are available. (SIGURA 100 or SIGURA 500).

Technical Data

Delivery rate, max.	80 oder 120 l/min
Delivery head, max.	48 m (480 kPa)
Buffer tank volume	100 or 500 Litres
Complies with	EN 1717:200 DIN EN 1717:2011-08 DIN 1988-100:2011-08
Safety device (DIN)	AA
Floor space	1.4 x 1.4 m (4.6 x 4.6 ft.)
Dimensions Sigura 100	diameter: 0,4 m (1.3 ft.), height: 1,6 m (5.2 ft.)



ZETA 02 PUMP CONTROLLER

- Suitable for use with all standard pumps
- Reduces CO₂ emissions by up to 97%
- Reduces energy consumption by up to 128 kWh/year
- Cuts energy costs by up to 32 euros per year
- Pump protection through programmable functions
- Switches the pump automatically on demand
- Integrated dry-run protection

PUMPS

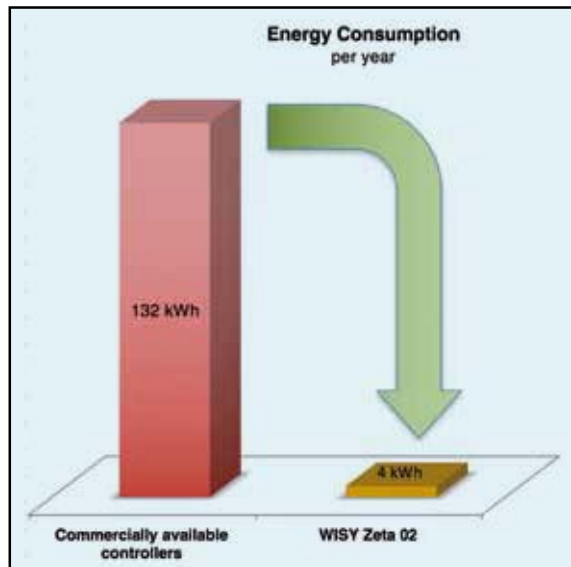


Zeta 02
Pump Controller

New electronic

Thanks to its innovative electronic circuitry, the controller consumes only 0.2 watts in standby mode, a significant reduction when compared to other commercially available controllers which draw between 6 and 15 watts from the grid. This saves up to 128 kWh per year and reduces CO₂ emissions by up to 97% or 70 kg per year.

Use **WISY** technology to cut **CO₂** emissions!



Programmable functions

1. Adjustable run-on time: unnecessary pump operation can be limited. This helps to reduce power consumption.
2. Overfrequent starting detection: more than 25 pump starts per hour are unusual. Often they are a sign of a continually flushing toilet or a dripping garden watering tap and could harm the pump. Therefore, ZETA 02 pump controller can shut down the pump in this case.
3. Continuous pump operation: A great deal of water can be lost if a pipe ruptures or a garden hose bursts. For this reason, you can program the pump controller to detect continuous pump operation lasting more than ten minutes and to shut down the pump.

Technical Data

Voltage:	110-240V
Frequency	50/60Hz, single-phase
Stand-By-Consumption:	< 0.2 Watt
Cut-in pressure ZETA 02:	1.5 bar
Cut-in pressure ZETA 02/V:	adjustable between 1.5 and 2.8 bar
Maximum pressure:	10 bar
Flow rate:	160 l/min
Connections:	1" outside thread

Zeta 02 Pump Controller

	Item No.
● ZETA 02, cut-in pressure fix at 1.5 bar	ZT 0200
● ZETA 02/V, cut-in pressure adjustable between 1.5 bar and 2.8 bar	ZT 0210
● ZETA 02 cut-in pressure fix at 1.5 bar with wall-mounting bracket	ZT 0206
● ZETA 02/V with wall-mounting bracket	ZT 0207
● ZETA 02 for Optima	ZT 0213
● ZETA 02 for Optima without level indicator	ZT 0214
● ZETA 02 for Sigma	ZT 0215
● ZETA 02 for Sigma without level indicator	ZT 0216
● ZETA 02 for AspriPlus	ZT 0250
● ZETA 02/V for AspriPlus	ZT 0260

All WISY rainwater units are equipped with the new ZETA 02 pump controller!



ZETA 02 with wall-mounting bracket

ASPRIPLUS SELF-PRIMING PUMP

+ PLUS +++
dirt trap, screw
connection and
rubber feet

Self-priming, multi-stage centrifugal pump for pumping rainwater out of storage tanks.
 Models: AspriPlus 15/3 (3-stage), AspriPlus 15/4 (4-stage), AspriPlus 15/5 (5-stage).

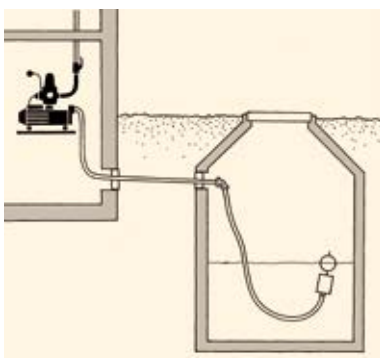
The AspriPlus-package includes:

- Assembled brass nipple, hose connection fitting at suction end, 1" nozzle and integrated stainless steel dirt trap.
- Fitted with rubber feet to suppress vibration and noise
- 1 1/4" screw connection to allow easy attachment and removal of pump controller.
- Pump controller ZETA 02, cut-in pressure 1.5 bar, with pressure gauge and electric socket

All Aspri Plus pumps have a maximum delivery rate of 66 litres per minute. The maximum delivery head is model-dependent as indicated below:



AspriPlus	Maximum delivery head
15/3	34.0 m (340 kPa)
15/4	45.0 m (450 kPa)
15/5	53.0 m (530 kPa)



PUMPS

AspriPlus Self-priming pump **Item No.**

- AspriPlus without pump controller
 - 15/3 SP 1203
 - 15/4 SP 1204
 - 15/5 SP 1205
- AspriPlus with pump controller ZETA 02
 - 15/3 SP 1293
 - 15/4 SP 1294
 - 15/5 SP 1295
- AspriPlus with pump controller ZETA 02/V, cut-in pressure adjustable between 1.5 bar and 2.8 bar
 - 15/3 SP 2293
 - 15/4 SP 2294
 - 15/5 SP 2295

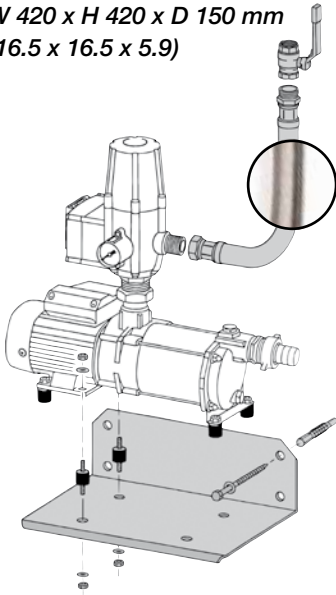
Spare Parts **Item No.**

- Pump driver for AspriPlus with sealed screw connection
 - ZETA 02 for AspriPlus ZT 0250
 - ZETA 02/V for AspriPlus, cut-in pressure adjustable between 1.5 bar and 2.8 bar ZT 0260

Dimensions:

w/o pump controller
W 420 x H 180 x D 150 mm
(16.5 x 7.1 x 5.9)

with pump controller
W 420 x H 420 x D 150 mm
(16.5 x 16.5 x 5.9)



Accessories

Item No.

● **ASPRI PLUS Cistern Connection Set**

Consists of floating fine suction filter SAFF with non-return valve 1", 10 m flexible suction hose, 2 stainless steel hose clamps 1"

AA 1002

● **House connection**

3/4" connecting hose with ball valve For the connection between pump and distribution pipework. Vibration and noise suppression. Consisting of rubber with stainless-steel braiding, with ready-pressed fittings. 1" union nut, 3/4" brass ball valve with insidethread.

VS 9953

● Stainless-steel wall-mounting bracket with fixings and rubber pads with doubled-ended bolt for attaching AspriPlus pumps.

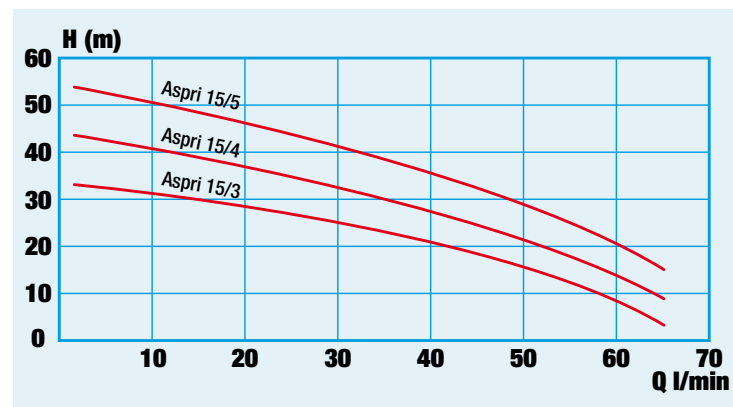


WH 0300

AspriPlus with pump controller



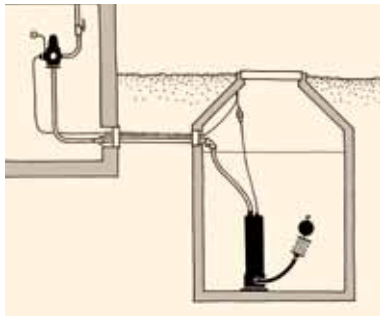
Operating characteristic at 2900 rpm



MULTIGO SUBMERSIBLE PRESSURE PUMP



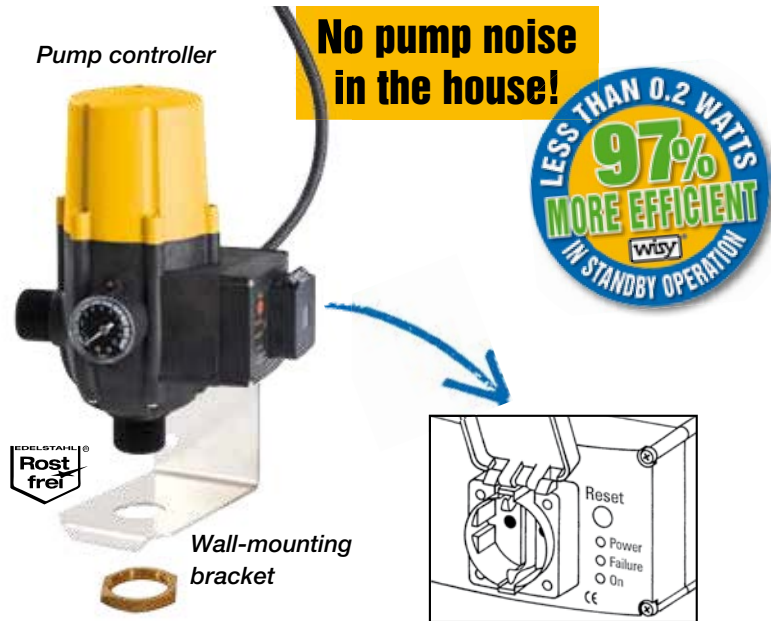
Multigo with suction-end hose nozzle and baseplate



Normal-priming, multi-stage submersible pressure pump with connections for fixed or floating fine suction filters for pumping rainwater out of storage tanks. Basic model with directly-integrated hose 1" hose nozzle or with 1 1/4" suction inlet (inside thread) at suction end. Discharge end 1 1/4" inside thread.

Fully equipped with:

3 m lifting strap, 20 m connecting cable, pump controller ZETA 02, cut-in pressure 1.5 bar, with pressure gauge and electric socket, 2x1" outside thread, operating state indicator (LEDs). Stainless-steel wall-mounting bracket WH 0305 with fixings and lock nut. Stable baseplate 22 cm x 22 cm (8 in. x 8 in.).



Multigo	Maximum delivery rate	Maximum delivery head
205	80 l/min.	48 m (480 kPa)
407	125 l/min.	49 m (490 kPa)
207	80 l/min.	61 m (610 kPa)



Dimensions for models with suction-end nozzle:
Multigo 205
 dia. 127 mm x H 496 mm (dia. 5 in. x H 19.5 in.)
Multigo 407
 dia. 127 mm x H 511 mm (dia. 5 in. x H 20.1 in.)
Multigo 207
 dia. 127 mm x H 536 mm (dia. 5 in. x H 21.1 in.)

Multigo fully equipped

With pump controller ZETA 02, wall-mounting bracket, lifting strap, baseplate.

	Item No.
● Cut-in pressure fix at 1.5 bar, with 1" hose nozzle at suction end	
Multigo 205	UP 1302
Multigo 207	UP 1305
● Cut-in pressure fix at 1.5 bar, with 1 1/4" connector (inside thread) at suction end	
Multigo 205	UP 1102
Multigo 407	UP 1103
Multigo 207	UP 1105
● Cut-in pressure adjustable between 1.5 and 2.8 bar, with 1" hose nozzle at suction end	
Multigo 205	UP 1302 V
Multigo 207	UP 1305 V
● Cut-in pressure adjustable between 1.5 and 2.8 bar, with 1 1/4" connector (inside thread) at suction end	
Multigo 205	UP 1102 V
Multigo 407	UP 1103 V
Multigo 207	UP 1105 V

Multigo Basic Equipment

Item No.

With lifting strap, baseplate.

Model with 1" hose nozzle at suction end

- Multigo 205
- Multigo 207

UP 1398
UP 1395

Model with 1 1/4" connector (inside thread) at suction end

- Multigo 205
- Multigo 407
- Multigo 207

UP 1198
UP 1197
UP 1195

Direct suction model

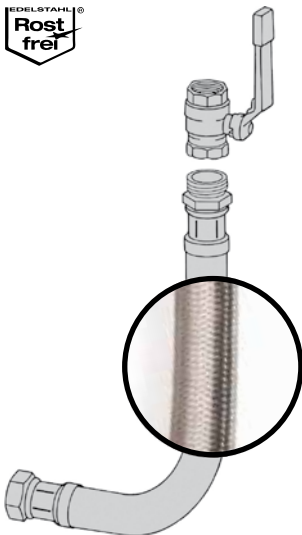
- Multigo 205
- Multigo 407
- Multigo 207

UP 1202
UP 1203
UP 1205

Multigo with direct suction,
mounted on support bracket



Support bracket AK 0301



Connecting hose VS 9953

Accessories

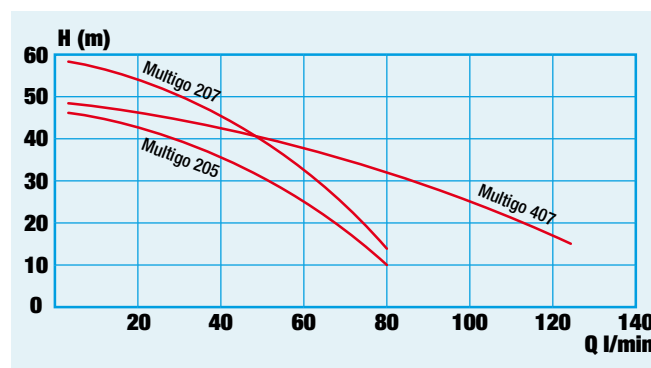
Item No.

- Stainless-steel support bracket for horizontal installation of submersible pumps in storage tanks, e.g. ribbed plastic cisterns. AK 0301
- 3/4" connecting hose with ball valve. For making connection between pump and distribution pipework. For vibration and noise suppression. Rubber hose with stainless-steel braiding and ready-pressed fittings, 0.5 m (1.6 ft.), 1" union nut, 3/4" brass ball valve with inside thread. VS 9953
- Hose nozzle with 1" non-return valve made of stainless steel ST 1010
- Hose nozzle with 1 1/4" outside thread and 1" nozzle, brass ZV 0433
- Float switch with cable clamp with 20 m (65.62 ft.) cable as dry run protection SS 1013
- Adapter plug for connection of float switch SS 0149

► It is recommended that the Multigo pump is operated with a hose nozzle at the discharge end.

Multigo

Operating characteristic at 2850 rpm



PROVEDO SUBMERSIBLE FEED PUMP



Provedo VX with nozzle and baseplate



Provedo B-1 with loose float switch and direct suction



Submersible pump with fixed level switch or float switch. For pumping clean water, e.g. out of rainwater storage tanks. With connections for fixed or floating suction filters.



Models with either 1" nozzle, 1 1/4" inside thread or direct suction.

High suction flow with low head. All parts in contact with water are made of stainless steel. Automatic startup and shutdown by float switch. 20 m (65.6 ft.) connecting cable and large, extremely stable stainless-steel baseplate.

Maximum delivery rate 170 l/min, maximum delivery head: 9 m.

Provedo Submersible feed pump

Item No.

- Provedo B-1
Model with 1" hose nozzle at suction end and assembled baseplate
22 cm x 22 cm (8 in. x 8 in.)  UP 1322
- Provedo B-1
Model with 1 1/4" connector (inside thread) at suction end and assembled baseplate
22 cm x 22 cm (8 in. x 8 in.)  UP 1122
- Provedo VX
Special version für Optima rainwater unit. 1" nozzle at suctionend, 1" nozzle with integrated non-return valve at pressure end.
Ready assembled baseplate 22 cm x 22 cm (8 in. x 8 in.) UP 1322 VX
- Provedo B-1
with direct suction and loose float switch UP 1113
- Provedo B-1
with direct suction, without float switch UP 1111

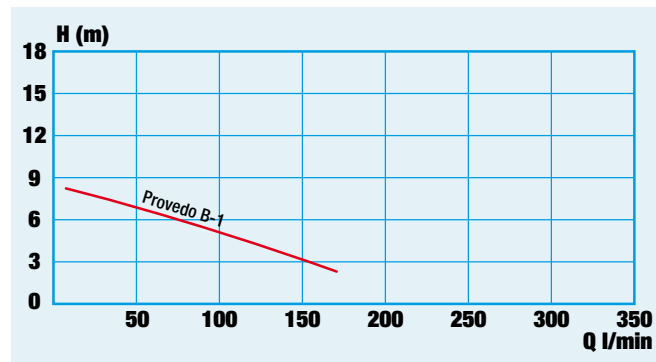
Accessories

Item No.

Stainless steel switch lever for precise control of the float switch, universal fit. Defines switching points precisely.

- With clamp 140 – 160 mm (5.5 – 6.3 in.) (Further sizes on demand) SH 0300

Operating characteristic at 2850 rpm



FINE filtering



SF 9921

FINE suction filter for fixed mounting Item No.

Filter made entirely of stainless steel, with connector 1" outside thread or 1 1/4" inside thread, filter mesh size 0.3 mm (0.01 in.). With fitting for direct connection to 1 1/4" pump suction inlet.

- FAFF submersible pump connection with 1 1/4" brass elbow and screw connections SF 9921
- FAFF extended version with 1" elbow with 1" outside thread SF 9924

COARSE filtering



SG 0351



SG 0334



SG 0332

ZW 0500

COARSE suction filter for fixed mounting Item No.

Filter made entirely of stainless steel, with connection with outside thread. Filter mesh size 1.2 mm (0.05 in.)

FAGF submersible pump connection

- 1" connection outside thread SG 0331
- 1 1/4" connection outside thread SG 0332
- 1 1/2" connection outside thread SG 0333
- 2" connection outside thread SG 0334
- 1" connection inside thread SG 0351

Accessories Item No.

- 90° elbow with nipple, for connection to SG 03 32, for 1 1/4" pump suction inlet ZW0500

FLOATING SUCTION FILTER SETS WITHOUT NON-RETURN VALVE

For pressure pumps



FINE filtering
with 0.3 mm
(0.01 in.) mesh size



COARSE filtering
with 1.2 mm (0.05 in.)
mesh size

The floating suction filters for submersible pressure pumps are available as a fine filter (SAFF) with mesh size 0.3 mm (0.01 in.) or as a coarse filter (SAGF) with mesh size 1.2 mm (0.05 in.). The fine filters are suitable for water which has not been pre-filtered, e.g. from open waters, storage tanks or fountains. Coarse suction filters are recommended for safe pump operation when pumping prefiltered water, especially rainwater, from storage tanks or other containers. The models for submersible pressure pumps do not have a non-return valve. By contrast, the models for suction pumps are equipped with a non-return valve in order to maintain the suction column in the suction hose.

To aid selection of the correct filter type:

Suction pumps: with non-return valve

Pressure pumps: without non-return valve

Connection set for submersible pumps consisting of:

- Floating coarse or fine suction filter 1" without non-return valve
- Float diameter: 15 cm (5.91 in.)
- Highly flexible suction hose, length 1 m (3.28 ft.)

► Available for 1" nozzle or with screw connections for 1 1/4" connector (inside thread)



1 1/4" version with suction hose with integral metal spiral, for higher-performance pumps.

Floating suction filter sets without non-return valve

Item No.

- Set for submersible pumps with 1" nozzle, floating coarse or fine suction filter 1", high-flexibility hose 1"
- Set for submersible pumps with 1 1/4" inside thread connector, floating coarse or fine suction filter 1", high-flexibility hose 1", with screw connection
- Set for submersible pumps with 1 1/4" inside thread connector, floating coarse or fine suction filter 1 1/4", suction hose 1 1/4", with screw connection

	FINE	COARSE
	SS 9935	SS 9905
	SS 9931	SS 9901
	SS 9932	SS 9902

Water extraction from the clearest area of the storage tank!

FLOATING SUCTION FILTER SETS WITH NON-RETURN VALVE

For suction pumps

Filter body with stainless-steel filter mesh, mesh size 0.3 mm (0.01 in.), with non-return valve. Float made of environmentally friendly polyethylene.



FINE filtering
with 0.3 mm
(0.01 in.) mesh size



COARSE filtering
with 1.2 mm (0.05 in.)
mesh size

Connection set for suction pumps consisting of

- Floating coarse or fine suction filter 1" with non-return valve
- Float diameter: 15 cm (5.91 in.)
- Highly flexible suction hose attached by stainless steel hose clamps
- 90° PE elbow connector to PE pipe 32 x 3 mm (1")



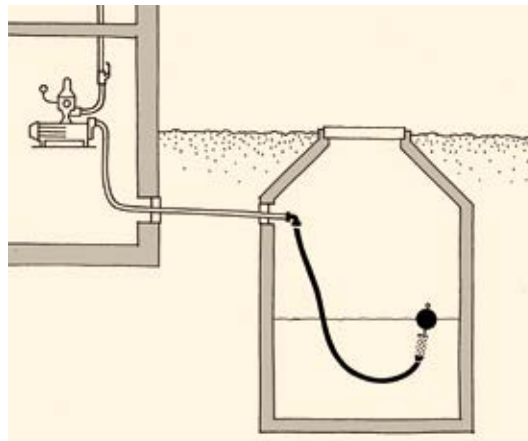
Floating suction filter sets with non-return valve

Set with floating coarse or fine suction filter and non-return valve

- With 2 m (6.5 ft.) suction hose
- With 3 m (9.8 ft.) suction hose



	Item No.	
	FINE	COARSE
● With 2 m (6.5 ft.) suction hose	SZ 9801	SZ 9811
● With 3 m (9.8 ft.) suction hose	SZ 9802	SZ 9812



Note!

Flexible hose can only be used with suction pumps which are controlled by a pump controller with non-return valve! Expansion tanks with pressure switch only are not suitable!

FLOATING FINE SUCTION FILTER (SAFF)



Fine filter body

SAFF SZ 9924

FINE filtering
with 0.3 mm (0.01 in.) mesh size

For extracting rainwater from rainwater storage tanks and other containers or from ponds and fountains. Float made of environmentally friendly polyethylene. All other parts made of stainless steel. The nozzles at the floating filters are rounded in order to protect the hoses. The hose remains fully functional and durable even when the float frequently changes position in the tank. The nozzles are also equipped with a flared collar to allow secure attachment of the hose.

Fine filter mesh size 0,3 mm (0.01 in.).

Connection	Filter surface	Height x dia.	Float
1"	380 cm ²	120 mm x 120 mm	dia. 15 cm
1¼"	380 cm ²	120 mm x 120 mm	dia. 15 cm
1½"	800 cm ²	170 mm x 220 mm	dia. 22 cm
2"	1100 cm ²	235 mm x 220 mm	dia. 22 cm

Floating fine suction filter (SAFF)

Item No.

- SAFF with float dia. 15 cm (5.91 in.)
With integrated non-return valve
With 1" hose nozzle SZ 9924
With 1¼" hose nozzle SZ 9925
- SAFF with float dia. 15 cm (5.91 in.)
Without non-return valve
With 1" hose nozzle SZ 9935
With 1¼" hose nozzle SZ 9936
With 1" outside thread SZ 9926
- SAFF with float dia. 22 cm (8.66 in.) for large installations
With 1 1/2" outside thread SZ 9930
With 2" outside thread SZ 9931

Accessories and spare parts for large installations

Item No.

- Hose nozzle made of stainless steel, with non-return valve
With 1½" nozzle (for Item No. SZ 9930) RT 0330
With 2" nozzle (for Item No. SZ 9931) RT 0331
- Stainless-steel hose clamp
1½", 45–60 mm clamping range SS 0305
2", 55–70 mm clamping range SS 0306
- 2-part brass hose fitting, Nordic, flat-sealing
1½" nozzle, 1½" union nut ZV 0464
2" nozzle, 2" union nut ZV 0465



Fine filter body

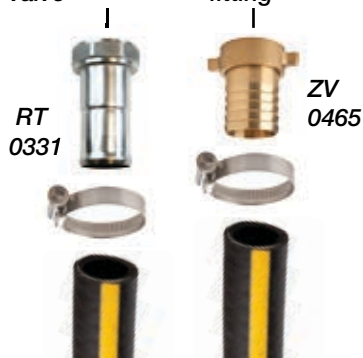
SAFF SZ 9931

Hose nozzle/
non-return
valve

RT
0331

2-part
brass hose
fitting

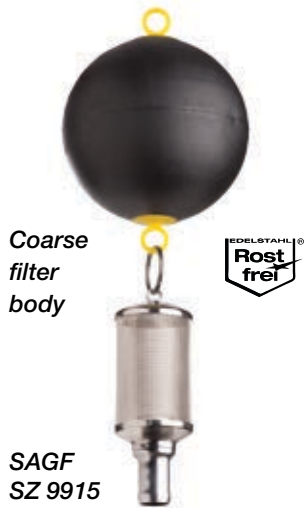
ZV
0465



FLOATING COARSE SUCTION FILTER (SAGF)

For extracting clean rainwater from storage tanks and other containers. With float made of environmentally friendly polyethylene. All other parts made of stainless steel.

Filter mesh size 1.2 mm (0.05 in.)



GROB-Filterung mit 1,2 mm Maschenweite



Connection	Filter surface	Height x dia.	Float
1"	165 cm ²	110 mm x 60 mm	dia. 15 cm
1¼"	165 cm ²	110 mm x 60 mm	dia. 15 cm
1½"	380 cm ²	150 mm x 100 mm	dia. 15 cm
2"	380 cm ²	150 mm x 100 mm	dia. 15 cm

Floating coarse suction filter (SAGF)

Item No.

- SAGF with float dia. 15 cm (5.91 in.) with hose nozzle.
 - With integrated non-return valve
 - With 1" hose nozzle SZ 9915
 - With 1 1/4" hose nozzle SZ 9916
 - With 1 1/2" hose nozzle for lagre installations SZ 9917
 - With 2" hose nozzle for lagre installations SZ 9918
- SAGF with float dia. 15 cm (5.91 in.) with hose nozzle.
 - Without non-return valve
 - With 1" hose nozzle SZ 9927
 - With 1 1/4" hose nozzle SZ 9928
 - With 1 1/2" hose nozzle for lagre installations SZ 9990
 - With 2" hose nozzle for lagre installations SZ 9991

WISY RAINWATER STORAGE TANK WITH COMPLETE EQUIPMENT

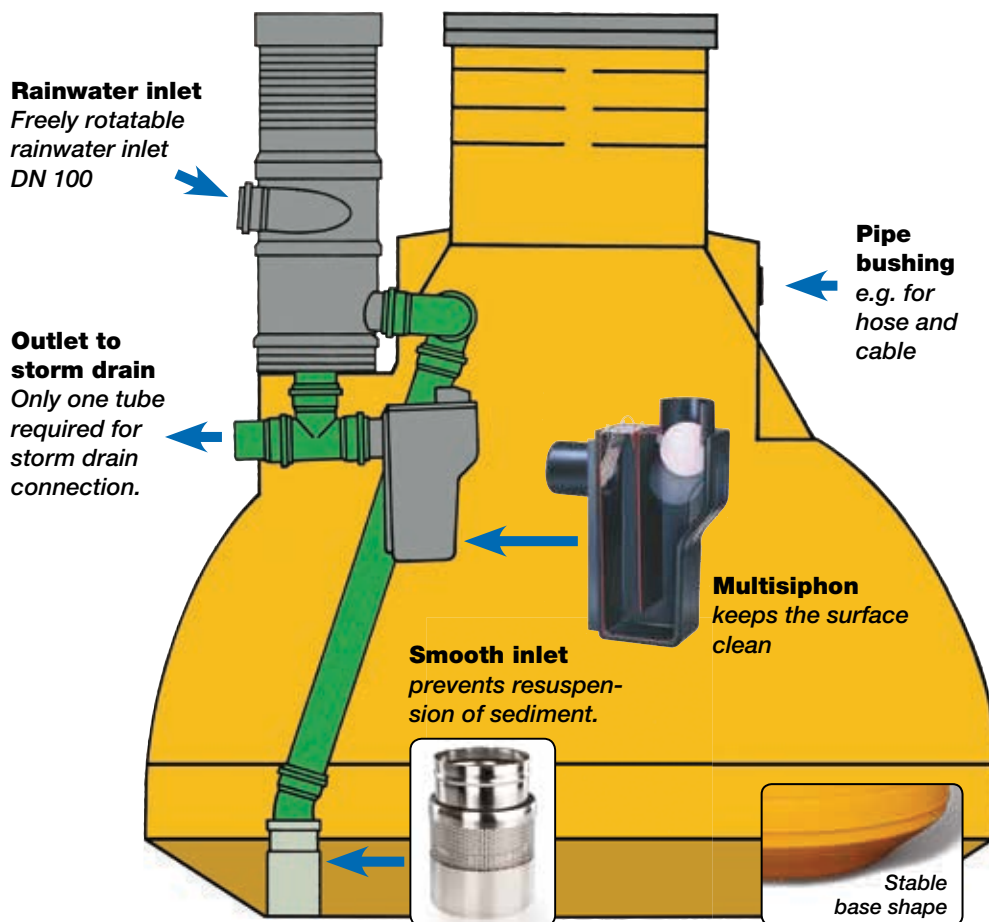


WISY rainwater storage tanks are compression-resistant vessels made of environmentally friendly polyethylene. They are manufactured seamlessly in one piece. On the durability of the material we provide 20 years of guarantee.

The storage tanks are equipped with a non-slip cover and a compressed water equalizing valve in the base of the tank for additional safety. When the excavated pit is filled up with gravel the storage tanks is fully supported from below.

20-year guarantee!

- **Ready to connect**
Pre-assembled components
- **Leak-tight**
Seamless manufactured tanks
- **Easy to service**
Large access shaft for ease of entry
- **Clean**
Smooth inside walls prevent build-up of deposits
- **Safe**
Non-slip cover
- **20-year guarantee**
On the durability of the tank material



STORAGE TANKS

Equipment WISY rainwater storage tank	Basic equipment	Complete equipment	Storm water retention
Non-slip cover	✓	✓	✓
Water equalizing valve in the base	✓	✓	✓
Vortex Fine Filter (WFF 100 with filter insert of WFF 150)		✓	✓
Multisiphon with drain backflow prevention and vermin guard		✓	✓
Smoothing inlet, stainless steel		✓	✓
Ready to connect, pre-assembled components		✓	✓
Retention volume of 1500, 2000 or 2500 Litres			✓
Throttle with floating coarse suction filter to regulate volumetric flow rates			✓

Special note!

If the tank is installed below ground, it must be positioned at a sufficient distance from groundwater sources (i.e. perched water table in hillsides).

WISY makes the adjustment possible!

WISY storage tanks have a defined height which can be reduced by shortening the access shaft or increased using an extension tube in order to adapt the storage tank to ground level. The height of the tank can be shortened or extended about 30 cm (11.8 inch.) maximum.

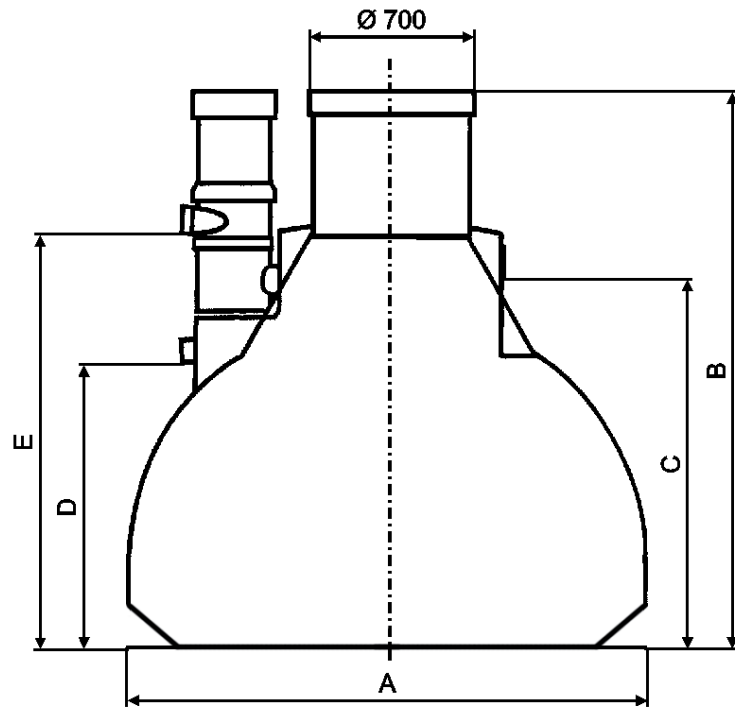
WISY rainwater storage tank with complete equipment

Item No.

- 4.5 m³ (US: 1188 gallons) volume, plastic cover, pedestrian duty
- 5.5 m³ (US: 1451 gallons) volume, plastic cover, pedestrian duty

RS 4550

RS 5550



Item No.	Volume	Weight (kg)	Diameter A	Tank height B	Service duct connection C	Storm drain connection D	Rainwater inlet E
RS 4550 (complete eq.)	4,5 m ³	250	Ø 2350	2510	1690	1285	1895
RS 4500 (basic eq.)		220					
RS 5550 (complete eq.)	5,5 m ³	280	Ø 2350	2770	1950	1545	2155
RS 5500 (basic eq.)		250					

All dimensions (in mm) may vary as a result of manufacturing tolerances. The dimensions of the pipes and bushings refer in each case to the bottom of the pipe.



WISY RAINWATER STORAGE TANK WITH BASIC EQUIPMENT



Basic equipment of the WISY rainwater storage tank includes plastic non-slip cover and three connection bores in the tank wall with tank seals DN 100 and plugs DN 100.

WISY rainwater storage tank with basic equipment Item No.

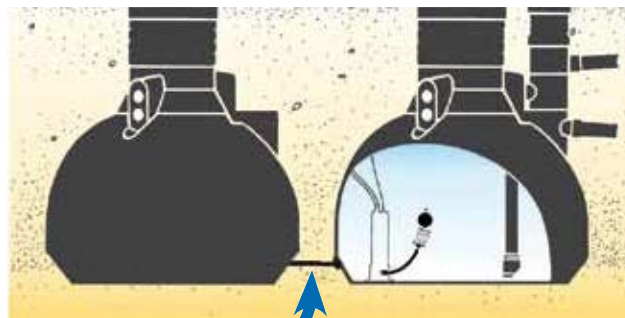
- 4.5 m³ (US: 1188 gallons) volume, plastic cover, pedestrian duty RS 4500
- 5.5 m³ (US: 1451 gallons) volume, plastic cover, pedestrian duty RS 5500

Accessories Item No.

- Extension tube for rainwater storage tank (PE), to raise inspection opening to ground level. Yellow. Dia. 70 cm (2.3 ft.), per 10 cm (4 in.) RV 1010
- Extension tube for vortex fine filter (PP), to raise inspection opening to ground level. Dia. 30 cm (11.8 in.), length 50 cm (1.6 ft.) WV 1010
- Soakaway strainer for vortex fine filter VS 0304
- Wall bushing WD 110/2 with six bores:
 - 1 x 50 mm (2 in.) diameter, for mains water feed
 - 1 x 32 mm (1.4 in.) diameter, for pressure or suction line (1" PE tube)
 - 3 x 10 mm (0.4 in.) diameter for electric cable
 - 1 x 6 mm (0.2 in.) diameter for electric cableWD 2110
- Tank connection set for coupling two rainwater storage tanks to create one unit. Consists of: Two brass tank bushings and 2 m (6.5 ft.) flexible tube, DN 40 RS 1040
- Blind insert for vortex fine filter BE 0302



Wall bushing for house and tank walls



When 2 storage tanks are connected by a flexible hose, make sure that there is some slack in the flexible hose.



Tank connection set

WISY flat tank with basic equipment

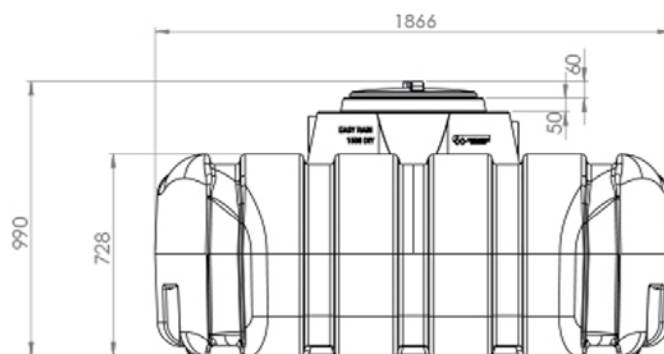
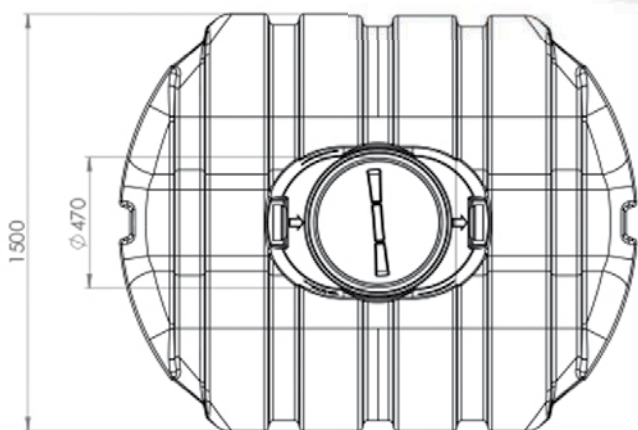
The WISY flat tank is the perfect product for storing up to 1500 litres of rainwater underground. Thanks to its very light weight and shallow installation depth, the tank is easy for anyone to handle. It can be installed without the need for an excavator or digger.

WISY flat tank with complete equipment

The WISY flat tank also comes equipped with the LineAr rainwater filter (integrated in access shaft) and an inflow calming tube. In this instance, the horizontal filter functions efficiently as both a rainwater filter and an overflow protector. The height difference between the inlet and outlet of the filter is just 5 cm (2 in.). As a result, it is easy to incorporate the set into existing pipework.

Product details

Volume	1500 l
Material	Polypropylene (PP)
Scope of application	below ground
In- and Outlet diameter (mm)	110
Dimensions (mm)	1866 x 1500 x 900
Top hole, diameter (mm)	470
Weight (kg)	70
Maximum load:	pedestrian duty



WISY flat tank

- WISY flat tank with basic equipment
- WISY flat tank with complete equipment

Item No.

FL 1500
FL 1550

STORM WATER RETENTION TANK

WISYs storm water retention tank with a total volume of 5.5 m³ offers an additional retention volume with throttled outlet to the usable volume for rainwater harvesting. The retention volume and outlet must be selected according to urban land use planning guidelines.

The WISY retention tank made of PE offers:

- Total volume of 5.5 m³
- Full functionality with vortex fine filter, smooth inlet, Multisiphon overflow
- Retention volumes of 1500, 2000, or 2500 litres are possible
- Floating coarse suction filter (SAGF) with throttle to regulate volumetric flow rates
- Plug-in system, shipped with all parts pre-assembled
- Storage tank access shaft with non-slip plastic cover

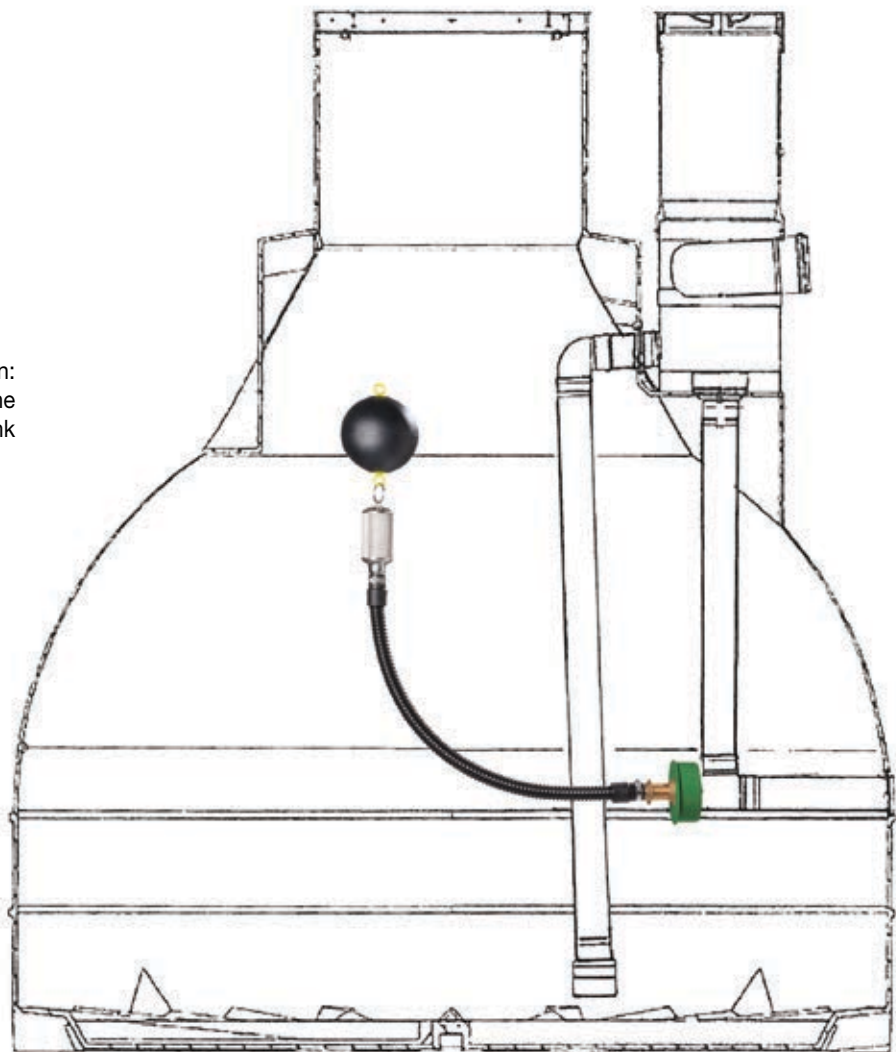
Storm Water Retention Tank*

Item No.

- | | |
|----------------------------------|------------|
| ● 1500 l litres retention volume | RT 5550.15 |
| ● 2000 l litres retention volume | RT 5550.20 |
| ● 2500 l litres retention volume | RT 5550.25 |

*With rainwater inlet DN 100. Inlet DN 150 also available.

Example of installation:
Retention regulator in the
WISY rainwater storage tank



The retention regulator is designed for installation in rainwater storage tanks in order to control the release of water into the storm drain. The inflow filter is suspended from the float valve. This arrangement ensures that the pipes and tubes connected downstream never become clogged by debris and that water can flow at the selected rate into the storm drain. The flexible connecting hose allows the float valve to move vertically with the water level in the tank. The hose material has been specially selected to ensure that the hose remains completely flexible and does not fracture or crack as it moves up and down in the water. The water is released into the storm drain through a restricted outlet pipe bung DN 100. The retention regulator is available for various outflow rates as listed in the table below:



Ø Flow limiter (mm)	Litres / sec.	Litres / min.	Litres / h	Item No.
3	0,016	0,97	58	RD 2003
5	0,044	2,61	157	RD 2005
6	0,057	3,43	206	RD 2006
8	0,087	5,22	313	RD 2008
10	0,133	8,00	480	RD 2010
12	0,22	13	780	RD 2012
13	0,28	17	1020	RD 2013
16	0,38	23	1380	RD 2016
18	0,50	30	1800	RD 2018
20	0,67	40	2400	RD 2020
22	0,85	51	3060	RD 2022
24	1,05	63	3780	RD 2024

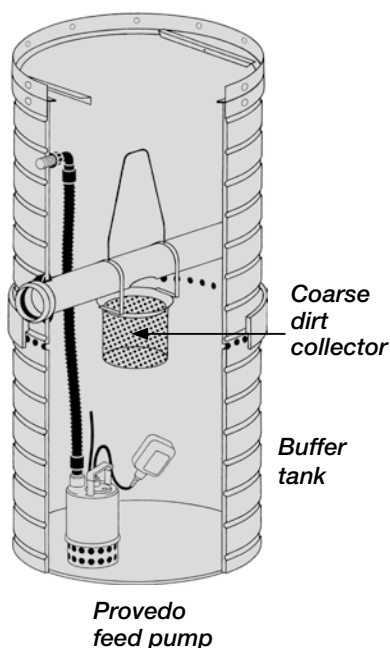
Further sizes on demand.

Retention Regulator	Item No.
<ul style="list-style-type: none"> ● Retention regulator with float, stainless steel ring, floating coarse suction filter 1" nozzle, 1m flexible suction hose 1", 2x hose clamp 1", 2/3 hose connection fitting, flat-sealing, nozzle 1" and 1" union nut, tank connector and nut 1", with fitted diaphragm plate, restricted outlet pipe bung 110 x 3.2 mm 	see table
<ul style="list-style-type: none"> ● Retention regulator with 1" ball valve, floating coarse suction filter 1" nozzle 	RD 4020

SOAKAWAY SYSTEM

For biologically active surface infiltration of rainwater

The excess rainwater from storage tank overflow and drainage through the filter flows into the soakaway system. When the maximum level is reached, water is automatically pumped to the surface as a fountain and then allowed to infiltrate back into the ground. The pump switches off when the tank is empty until the maximum level is reached again. Frost proof.



Soakaway system

Item No.

- Soakaway system

SI 1000

Consists of:

Buffer tank (PE), pedestrian-duty, non-slip manhole cover

PE inlet tube DN 100.

Removable coarse dirt collector (made of stainless steel)

Provedo feed pump with float switch and direct suction for on and off intervals, 1" nozzle at discharge end

Outlet connection 1" outside thread, for open soakaway at any location

Tank height 145 cm (4.75 ft.), tank diameter 70 cm (2.3 ft.)

Spare Parts and Accessories

Item No.

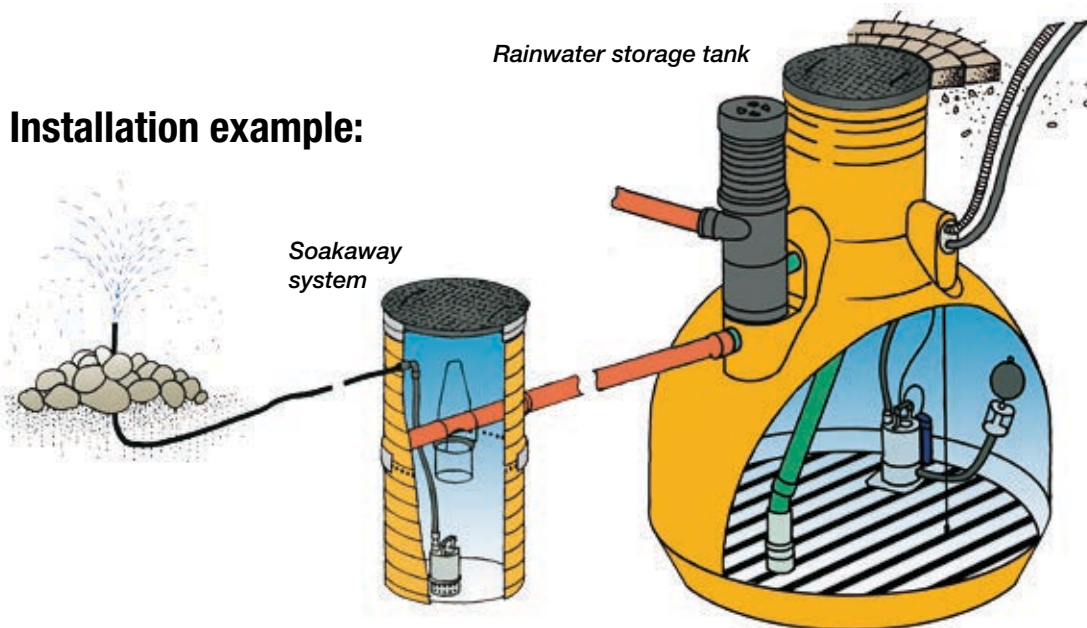
- Extension tube (PE) to raise inspection opening to ground level.
Dia. 70 cm (2.3 ft.), length selectable up to max. 140 cm (4.5 ft.)
price per 10 cm (4 in.)
- Coarse dirt collector with lifting handle
- Provedo feed pump with float switch

RV 1010

SI 1050

UP 1113

Installation example:



WISY advocates
biologically
active surface
infiltration!

MODULAR SOAKAWAY CRATE

The modular soakaway crates are installed underground to retain and disperse rainwater. They can be joined together to create a system of the required size. A professionally installed system has a load-bearing capacity of up to 600 kN, with each crate offering a storage volume of approximately 600 litres. Prior to installation, the individual crates are wrapped in a high-quality plastic geotextile (type SG29 / 29 Bonar).

It is advisable to prefilter the water through a WISY rainwater filter before it flows into the soakaway. In this case, the soakaway can be installed as a stand-alone system or connected to a rainwater harvesting system.

Various factors need to be taken into account when planning the size of the soakaway system. These include the coefficient of permeability of the ground (see illustration), the size of the roof area connected, the typical volume of rainwater during heavy precipitation in the local area and the groundwater level at the installation site. At your request, we can plan the size of your system in accordance with DWA-A 138 taking all of these factors into account.

Product details

Material	Polypropylene (PP)
Dimensions (mm)	1800 x 600 x 600
Volume	615 l
Storage capacity	95%
Coefficient of permeability	> 63%
Maximum load (see below)	600 kN
Maximum coverage	240 cm
Connection diameter (mm)	160

Load	Installation depth
Pedestrian duty	15 cm
Passenger car	30 cm
Truck, 300 kN	50 cm
Truck, 600 kN	80 cm

Modular soakaway crate

Item No.

- Modular soakaway crate 600 litres

SE 1000

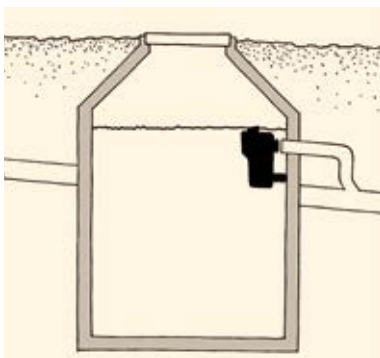
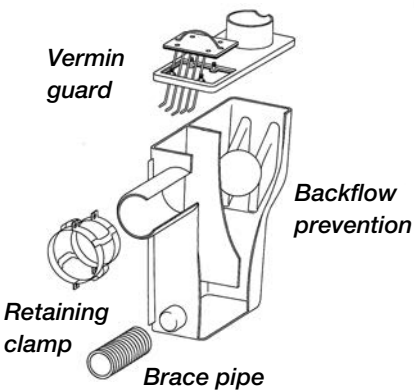
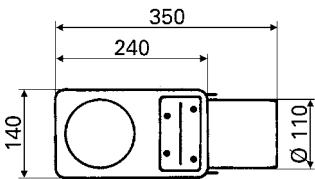
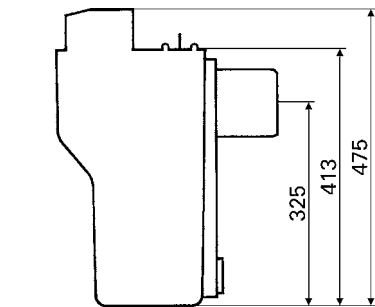


Soil type	Suitable soakaway size					
Coarse gravel						---
Fine / medium gravel						---
Sandy gravel						---
Coarse sand						---
Medium sand						---
Fine sand						---
Sandy silt						---
Silt (loam)						---
Clay silt						---
Coefficient of permeability (m/s)	10^{-7}	10^{-6}	10^{-5}	10^{-4}	10^{-3}	10^{-2}

Coefficients of permeability in accordance with DWA-A 138



Multisiphon and retaining clamp



Multi-functional overflow for rainwater storage tank

Made of impact-resistant ABS plastic. For connection to the tank overflow (DN 100). Surface debris removed by skimming effect. Prevents storm drain odours from reaching the storage tank. Brace pipe prevents tilting or tipping. Large siphon volume 6 l (1.5 gallons).

- Available in different versions:
 With or without drain backflow prevention
 with or without vermin guard

The version with integrated drain backflow prevention is delivered with a retaining clamp for connection to a DN 100 pipe.

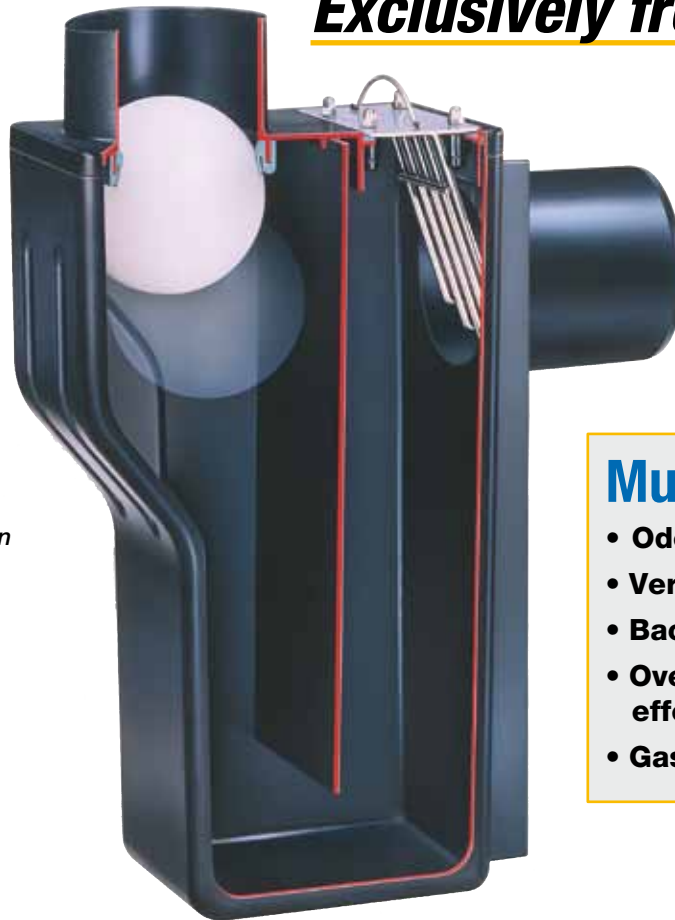
The passive vermin guard is made of stainless steel and is easy to remove for maintenance.

Multisiphon

Item No.

- | | |
|---|---------|
| ● Multisiphon with drain backflow prevention
without vermin guard | US 1004 |
| with vermin guard | US 1002 |
| ● Multisiphon without drain backflow prevention
without vermin guard | US 1005 |
| with vermin guard | US 1003 |

Exclusively from WISY!



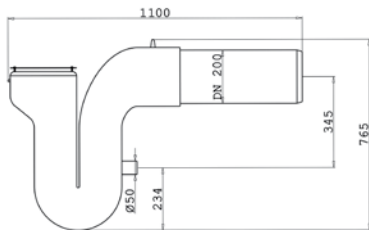
Multisiphon

- Odour seal
- Vermin guard
- Backflow prevention
- Overflow with skim effect
- Gas barrier

Accessories

Item No.

- | | |
|--|---------|
| ● Stainless-steel retaining clamp
for connection to a DN 100 pipe | US 1010 |
|--|---------|



Overflow siphon DN 200

Item No.

- Overflow siphon DN 200 made of stable polyethylene for storage tanks. Suitable for combination with vortex fine filter WFF 300. With odour seal, vermin guard, brace pipe, 2 x 1 m (3.28 ft.). Including stainless-steel chain for the attachment to ceiling or wall.

US 2000



Telescopic pull-out and smoothing inlet, e.g. suitable for LineAr 100 rainwater filter

SMOOTHING INLET

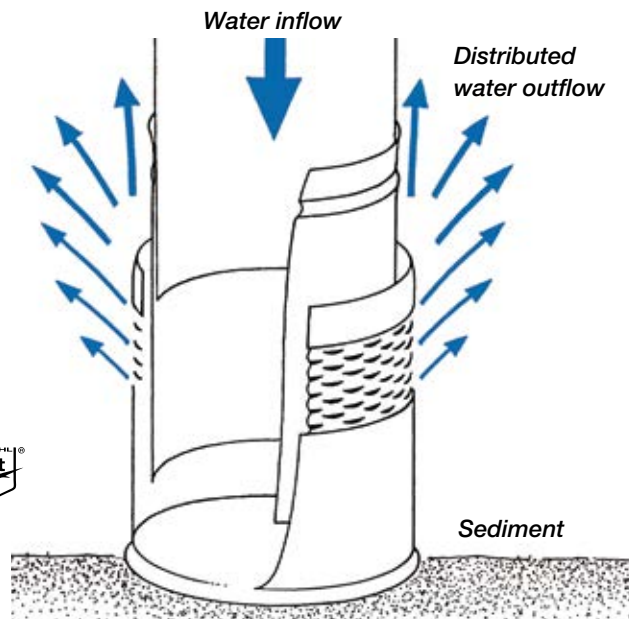
The smoothing inlet made of stainless steel prevents resuspension of sediment and distributes fresh, oxygen-rich rainwater in the storage tank.

Smoothing inlet

Item No.

- Smoothing inlet for DN 100 EB 0300
- Smoothing inlet for DN 200, inside diameter 204 mm (8.03 in.) EB 0303
- Smoothing inlet inside diameter 222 mm (8.74 in.) EB 0304
- Telescopic pull-out and smoothing inlet DN 125 EB 0305
Smoothing inlet made of stainless steel. Telescopic pull-out of green sewer pipe DN 100 / DN 125, length adjustable between 114 and 200 cm (3.74 and 6.56 ft.). Jacking ring, 2 stainless steel screws.

Smoothing inlet DN 200 compatible with vortex fine filter WFF 300

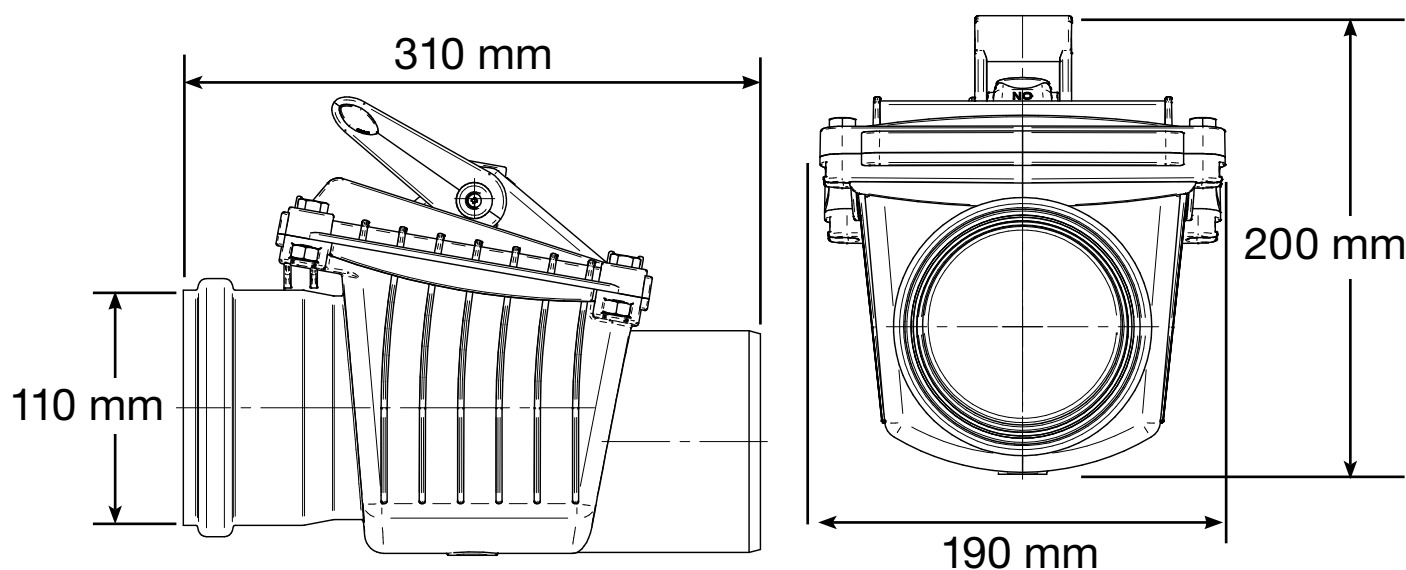


ANTI-FLOODING FLAP VALVE

- Operates fully automatically, no maintenance required
- Can also be locked manually if required
- DN 100

For combination with the LineAr 100 rainwater filter

The anti-flooding flap valve prevents dirty water from flowing into the rainwater storage tank in the event of drain or sewer flooding. The valve is installed downstream of the filter in the storm drain outlet of the storage tank. The valve can either be fitted inside or outside the tank. If it is installed outside the tank, a small concrete shaft must be provided to allow access to the locking lever. If water in the storm drain rises against the normal direction of flow, the stainless steel sealing flap suspended inside the anti-flooding valve automatically closes to prevent the storm water from entering the tank. The valve can also be closed permanently by means of a manually-operated lever.



Anti-Flooding Flap Valve

- Anti-Flooding Flap Valve DN 100

Item No.

RK 0110

WISY IS SUPPLYING



WITH RAINWATER!



More than 500,000 rainwater filters from WISY are in use worldwide. They save precious drinking water or provide clean water, where is none at all. Together they are filtering 42 million m³ of rainwater annually. That's more than all residents of Berlin use in the same time to flush their toilets and equals 1,332 litres per second!

Comparative figures:

WISY rainwater filters worldwide: more than 500,000 pieces

Realistic combined capacity for rainwater, taking the connectable roof area for each filter into account: more than 42 million m³ of rainwater per year

Inhabitants of Berlin (2012): 3,36 million

Average need of toilet flush water per inhabitant in Germany:

34 litres/day or 12.4 m³/year

LEVEL INDICATOR



Level indicator

Indicates the fill level of the storage tank in per cent. Pneumatic measuring instrument for remote measurement at distances up to 50 m. Steplessly adjustable for tanks with maximum fill levels from 1 to 2.5 metres. Impact-resistant plastic casing. With 10 m measuring lead and fixings.

Level indicator

Item No.

- Level indicator with manual actuation pump

FA 9910

Accessories

Item No.

- Measuring lead extension for longer distances to storage tank, length 10 m

FA 9915

MAINS WATER TOP-UP SET

Complete set of ready-to-use components!

For mains water top-up, tops up the rainwater storage tank with mains water as required during prolonged dry spells (daily requirement for single-family home). Complies with EN 1717.

Top-up set comprising:

- Open mains water outlet ½" (Item No. TW 9901)
- Adapter plug (Item No. SS 0149)
- Float switch for top-up, with retaining clamp, 3 m, 10 m or 20 m (9 ft., 32 ft. or 65 ft.) connecting cable (see item numbers SS 1001, SS 1002 or SS 1003)

Top-up set

Item No.

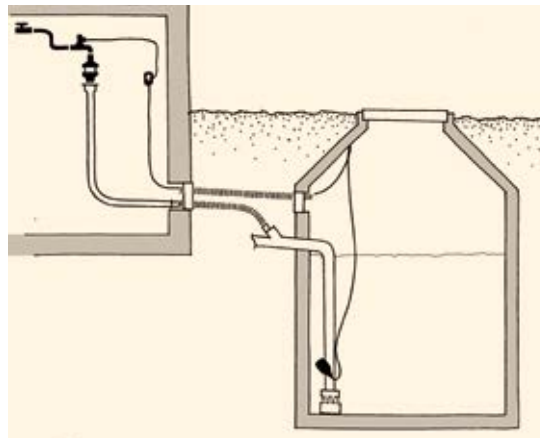
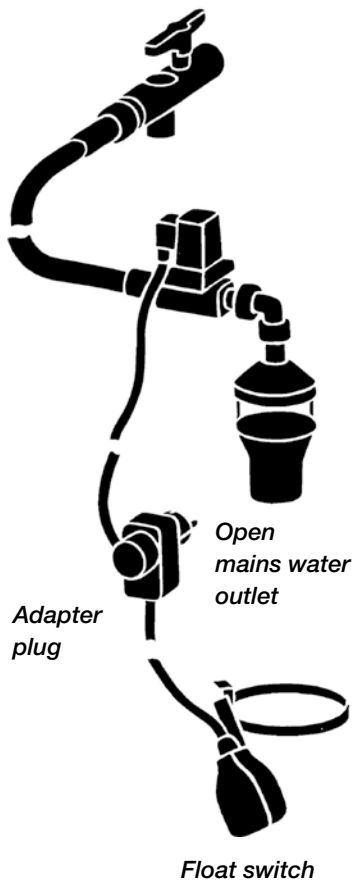
Top-up set

- with 3 m (9 ft.) connecting cable
- with 10 m (32 ft.) connecting cable
- with 20 m (65 ft.) connecting cable

TW 8803

TW 8810

TW 8820



Mains water top-up with open outlet, ready to install. Electrically controlled. Comprises a stainless steel tundish with nozzle for splash-free inflow, solenoid valve with connecting cable and electric plug, connecting tube with stainless steel braiding and brass ball valve with stainless steel dirt trap (mesh width 0.65 mm (0.03 in.)).

► Available from 1/2" to 2". Complies with EN 1717.

Connection	Water top-up rate with 3 bar system pressure	Connecting hose	Tundish
1/2"	2.64 m ³ /h	50 cm	DN 50
3/4"	6.48 m ³ /h	50 cm	DN 50
1"	8.64 m ³ /h	75 cm	DN 70
1 1/2"	20.52 m ³ /h	75 cm	DN 100
2"	34.92 m ³ /h	100 cm	DN 100



1/2" open mains water outlet

Straight design, with 3/4", 1", 1 1/2", 2" versions

Open mains water outlet

Item No.

- 1/2" TW 9901
- 3/4" TW 9909
- 1" TW 9903
- 1 1/2" TW 9905
- 2" TW 9907

Components/spare parts

Item No.

Stainless-steel tundish with nozzle

- 1/2" TW 9902
- 3/4" TW 9910
- 1" TW 9904
- 1 1/2" TW 9906
- 2" TW 9908

FLOAT SWITCH

Economical mains water top-up thanks to 4 cm (1.6 in.) switching cycle!



Quick to install:
Float switches can be safely fitted to the pump housing of the Multigo submersible pressure pump!



Float switch for mains water top-up (yellow)

Item No.

Float switch for controlling top-up with mains water. For attachment to the inlet pipe or the submersible pump. The switch lever defines the switching points so precisely that the water level rises by only 4 cm (daily requirement for single-family home). Switch lever and retaining clamp (for pipe diameter of 110 – 130 mm / 4 – 5 in.) made of stainless steel.

Float housing (yellow), butt-spliced, made of polypropylene.

With flexible connecting cable 3 x 1 mm². (*without adapter plug*).

- with 3 m (9.8 ft.) connecting cable SS 1001
- with 10 m (32.8 ft.) connecting cable SS 1002
- with 20 m (65.6 ft.) connecting cable SS 1003

Components/spare parts

Item No.

Float switch (*mains top-up*),
without switch lever and clamp

- with 3 m (9.8 ft.) connecting cable SS 1021
- with 10 m (32.8 ft.) connecting cable SS 1022
- with 20 m (65.6 ft.) connecting cable SS 1023

Float switch for dry run protection (red)

Item No.

Float switch to turn off pump when water level in tank is too low. For attachment to the inlet pipe or the submersible pump. When the water level in the tank reaches the minimum required level again, the pump is released for operation again by the float switch. With switch lever for precise definition of switching points, with 4 cm (1.6 in.) switching cycle.

Switch lever and retaining clamp (for pipe diameter of 110 – 130 mm / 4 – 5 in.) made of stainless steel. Float housing (red), butt-spliced, made of polypropylene.

With flexible connecting cable 3 x 1 mm². (*without adapter plug*).

- with 3 m (9.8 ft.) connecting cable SS 1011
- with 10 m (32.8 ft.) connecting cable SS 1012
- with 20 m (65.6 ft.) connecting cable SS 1013

Components/spare parts

Item No.

Float switch (*dry run protection*),
without switch lever and clamp

- with 3 m (9.8 ft.) connecting cable SS 1031
- with 10 m (32.8 ft.) connecting cable SS 1032
- with 20 m (65.6 ft.) connecting cable SS 1033

Accessories

Item No.

- Adapter plug for connection of float switch control cable SS 0149



HIGH-FLEXIBILITY SUCTION HOSES



Suction hose with push-fit connections

High-flexibility suction hose in pre-cut lengths for pumping water. Made of polyurethane (PU) with integral steel spiral. Maximum vacuum -0.8 bar (-11.6 psi). Both ends with push-fit connection to fit 1" hose nozzles (DN 25).

Suction hoses	Item No.
Suction hose in pre-cut lengths	
● Length 0.75 m (2.5 ft.)	AS 3001
● Length 1.00 m (3.3 ft.)	AS 3002
● Length 1.50 m (5 ft.)	AS 3003
● Length 2.00 m (6.5 ft.)	AS 3004
● Length 2.50 m (8 ft.)	AS 3005
● Length 3.00 m (9.8 ft.)	AS 3006

HOSE COUPLINGS



Hose couplings made of stainless steel.

Hose coupling	Item No.
● Double-ended hose coupling, each end 1"	SV 1000



Hose nozzle	Item No.
with non-return valve	
● 1" nozzle, direction of flow from thread to nozzle	ST 1010
● 1¼" nozzle, direction of flow from thread to nozzle	ST 1011
Without non-return valve	
● 1" nozzle	ST 1100

SUCTION AND PRESSURE HOSES



Suction and pressure hose

Spiral suction and pressure hose with synthetic reinforcing and spring steel spiral. The suction and pressure hose is suitable for pumping water. Material: PVC Compound (synthetic granulate); free of pores and smooth; abrasion-resistant, weatherproof, ozone-resistant, resistant to ageing. Max. temperature resistance from -25°C to +60°C. Max. vacuum -0.8 bar. Burst pressure of 2" hose: 30 bar, burst pressure of 1" hose: 36 bar.

Suction and pressure hose	Item No.
● 1" max. operating pressure 12 bar by the meter	AS 2003
● 1¼" max. operating pressure 11 bar by the meter	AS 2004
● 1½" max. operating pressure 10 bar by the meter	AS 2006
● 2" max. operating pressure 10 bar by the meter	AS 2007



1" Pressure hose

Pressure hose made of EPDM. For pumping water. Flexible, with synthetic textile reinforcing of high tensile strength.

Pressure hose	Item No.
● 1" max. operating pressure 15 bar by the meter	DS 2003

PRESSURE HOSE ASSEMBLIES



Connecting hoses with stainless-steel braiding and pressed fittings. Brass connections. Flat-sealing.

Connecting hoses	Item No.
● 1" connecting hose, 1" nipple, 1" union nut Length 0.5 m (1.6 ft.)	VD 9928
Length 0.75 m (2.5 ft.)	VD 9929
Length 1.0 m (3.3 ft.)	VD 9930
Length 1.50 m (5.0 ft.)	VD 9931
Length 2.00 m (6.6 ft.)	VD 9932
● ¾" connecting hose, length 0.5 m (1.6 ft.) with 90° elbow, 1" union nut and ¾" nipple	VD 9934
with ¾" union nut and ¾" nipple	VD 9950
with 2 x 1" union nut	VD 9951
with 1" union nut and ¾" nipple	VD 9953
● ¾" connecting hose with ¾" ball valve, 1" union nut and ¾" inside thread, length 0.5 m (1.6 ft.)	VS 9953
● 1" connecting hose with 2 x 1" union nut, length 0.5 m (1.6 ft.)	VD 9935
● ½" connecting hose with ½" union nut and ½" nipple, length 0.5 m (1.6 ft.)	VD 9936

FLEXIBLE TUBES AND CONNECTING PARTS



WD 2000 / WD 2001

For fast, easy and inexpensive installation.
All parts are connectable.

Flexible tubes	Item No.
Flexible tube (PE) flexible with draw cord. Inside diameter = 40 mm (1.57 in.), outside diameter = 50 mm (1.97 in.)	
● 25 m (82 ft.) roll	WD 2000
● 50 m (164 ft.) roll	WD 2001



WD 2020

Connecting parts	Item No.
● Adapter flexible tube – sewer pipe (PE), to connect the DN 50 flexible tube (for example for mains water top-up) to DN 100 sewer pipe.	WD 2020



WD 2021

● Adapter flexible tube – HT (PE) tube, to connect the DN 50 flexible tube to DN 50 HT tube. D =50	WD 2021
---	---------



WD 2010

● Flexible tube connector (PE), connects two DN 50 flexible tubes together.	WD 2010
--	---------

PE connectors

Item No.

- PE tube connectors, made of brass. To connect PE tube to hose.



PR 1016



PR 1011



PR 1015



PR 1010

PE tube connector, 90°, 32 mm x 1" nozzle

PR 1016

PE tube connector, 90°, 32 mm x 1" inside thread

PR 1011

PE tube connector, straight, 32 mm x 1" nozzle

PR 1015

PE tube connector, straight, 32 mm x 1" inside thread

PR 1010

WALL AND TUBE BUSHINGS



WD 110

Seals ducts at cable and pipe penetration points through tank and building walls. Consists of a 30 mm (1.2 in.) thick rubber disk with two stainless-steel plates and clamp bolts. With integrated electric cable seal. Can be used only for „non-pressurized“ water. The designations WD 100, WD 110 refer in each case to the outside diameter of the wall duct.

- ▶ When a standard sewer pipe with DN 100 is used, the wall bushing WD 100 fits exactly into the pipe and the wall bushing WD 110 into the collar.



WD 110/2

Wall bushings

Item No.

- Wall bushing WD 110 contains two bores:

1 x dia. 50 mm (2 in.), for cable conduit, for max. three electric cables
1 x dia. 32 mm (1 ¼"), for pressure or suction line (1" PE pipe)

WD 1110

- Wall bushing WD 110/2 contains six bores:

1 x 50 mm (2 in.) diameter, for mains water top-up pipe
1 x 36 mm (1.4 in.) diameter, for pressure or suction line (1" PE tube)
3 x 10 mm (0.4 in.) diameter for electric cable
1 x 6 mm (0.2 in.) diameter for electric cable

WD 2110



WD 110
with 2-piece
plate

- Wall bushing WD 110, with 2-piece plate:

for retro-installation with existing pipework. The steel plates consist in each case of two halves, cables and tubes can be inserted through the rubber plate.

1 x 50 mm (2 in.) diameter, for mains water top-up pipe
1 x 36 mm (1.4 in.) diameter, for pressure or suction line (1" PE tube)
3 x 10 mm (0.4 in.) diameter for electric cable
1 x 6 mm (0.2 in.) diameter for electric cable

WD 2100



WD 100

- Wall bushing WD 100 contains four bores:

1 x 36 mm (1.4 in.) diameter, for pressure or suction line (1" PE tube)
2 x 10 mm (0.4 in.) diameter for electric cable
1 x 6 mm (0.2 in.) diameter for electric cable

WD 1100

TANK SEAL



Seals sewer pipe at penetration points, e.g. in rainwater storage tanks. For wall thickness 5 – 16 mm (0.2 – 0.6 in.) or 5 – 10 mm (0.3 – 0.4 in.), diameter DN 100 (3.9 in.), to fit bore hole diameter 127 mm (5 in.). For pipe outside diameter: 110 mm (4,33 in.).

Tank seal

Item No.

- for tank wall thickness 5 - 16 mm (0.2 – 0.6 in.)

RS 1050

HS 0301



Hook with screw thread

Item No.

- Stainless-steel hook, plastic expansion dowel.
To fix pump lifting straps in concrete or plastic storage tanks.
M6 hook

HS 0301

Carrying and lifting strap

Item No.

- Polypropylene strap, dia. 5 and 8 mm, for attachment to submersible pumps and floating filters. Rot-proof.
5 mm (0.2 in.) diameter, *per m*
8 mm (0.3 in.) diameter, *per m*
- ▶ Can be cut to required length

TS 3001

TS 3002

Spring safety hook

Item No.

- Stainless-steel spring safety hook,
6 x 60 mm (0.2 x 2.4 in.)

KB 0300

Hose connectors

Item No.

- 2-part brass hose connector, flat sealing
1" nozzle, 1¼" union nut
1" nozzle, 1" union nut
1¼" nozzle, 1¼" union nut
1½" nozzle, 1½" union nut
2" nozzle, 2" union nut

ZV 0414

ZV 0462

ZV 0463

ZV 0464

ZV 0465

Hose nozzles

Item No.

- 1-part brass hose nozzle, with hexagon flange
½" nozzle, ½" outside thread
¾" nozzle, ¾" outside thread
1" nozzle, 1" outside thread
1" nozzle, 1 ¼" outside thread
1¼" nozzle, 1 ¼" outside thread
1½" nozzle, 1 ½" outside thread
2" nozzle, 2" outside thread

ZV 0431

ZV 0432

ZV 0433

ZV 0415

ZV 0434

ZV 0435

ZV 0436

Nipples

Item No.

- Brass double nipple, 2 x outside threads, with hexagon flange
½"
¾"
1"
1¼"
- Brass reducing nipple, 2 x outside threads, with hexagon flange
½", ¾"
¾", 1"
1", 1¼"
- Brass reducing nipple, 1 x inside thread, 1 x outside thread with hexagon flange
½" inside thread, ¾" outside thread
¾" inside thread, 1" outside thread
1" inside thread, 1¼" outside thread

ZN 0410

ZN 0409

ZN 0402

ZN 0401

ZN 0405

ZN 0404

ZN 0403

ZN 0408

ZN 0407

ZN 0406



ZV 0451

ZV 0452

Standpipe connectors

Item No.

- 3-part brass connector with outside thread, flat sealing, 1" nozzle, 1" outside thread
- 3-part brass connector with inside thread, flat sealing, 1" nozzle, 1" inside thread

ZV 0451

ZV 0452



Hose clamps

Item No.

- Stainless-steel hose clamps, clamp width 12 mm (0.5 in.).

Inch Clamping range

1/2"	16 – 22 mm (0.6 – 0.9 in.)
3/4"	22 – 30 mm (0.9 – 1.2 in.)
1"	30 – 40 mm (1.2 – 1.6 in.)
1 1/4"	35 – 50 mm (1.4 – 1.9 in.)
1 1/2"	45 – 60 mm (1.8 – 2.4 in.)
2"	55 – 70 mm (2.2 – 2,8 in.)

SS 0301

SS 0302

SS 0303

SS 0304

SS 0305

SS 0306



Drain tap

Item No.

- Brass drain tap with hose nozzle, union nut and removable square spanner.

1/2" tap

ZA 0401

3/4" tap

ZA 0402



Ball valves/dirt traps

Item No.

- Brass full-bore ball valve, 1/4" drain valve and extra 1/4" connection for pressure gauge. Aluminium lever.

3/4" inside thread

ZK 0402

1" inside thread

ZK 0403

- Brass full-bore ball valve. Aluminium lever.

3/4" inside thread

ZK 0412

1" inside thread

ZK 0413

- Brass full-bore ball valve with dirt trap, stainless-steel strainer, mesh size 0.65 mm (0.03 in.), aluminium lever.

1/2" inside thread

ZK 0421

3/4" inside thread

ZK 0422

1" inside thread

ZK 0423



Solenoid valve

Item No.

- Brass solenoid valve, forced servo membrane control valve, operates without pressure difference. 230 V, 1.50 m (5 ft.) connecting cable, electric plug.

1/2" inside thread Nominal size 13 mm

MV 0401

3/4" inside thread Nominal size 20 mm

MV 0402

1" inside thread Nominal size 20 mm

MV 0403





Pressure gauge

Item No.

- Pressure gauge, 0 – 10 bar, 63 mm (2.5 in.) diameter, 1/4" brass connection at rear. For connection to ball valves ZK 0402, ZK 0403.

ZZ 9902



Water meter

Item No.

- Surface-mounted water meter, brass housing with 2 x 1" outside threads, counter module with transparent cover, rotatable through 360°, for horizontal or vertical installation. Officially approved and calibrated.
- Connection for water meter, brass screw connectors, 1" union nut, 3/4" outside thread.
2 units
- Connection for water meter, red brass screw connector, 1" union nut, 1/2" inside thread.
1 unit

WA 9800

WA 9801

WA 9802

CABLE COUPLING SETS



Cable coupling set IP 68

Cable coupling sets for water-pressure-tight connection of flexible electric cables in rainwater storage tanks, e.g. for submersible pump installations.

► Degree of protection IP 68 for long-term submersed application.

Cable coupling sets IP 68

Item No.

- Cable coupling set with electric plug and coupling, each with sealed cover
- Cable coupling set (5-pin) with terminal block
- Cable coupling set (3-pin) with terminal block

KV 3001

KV 3000

KV 4000



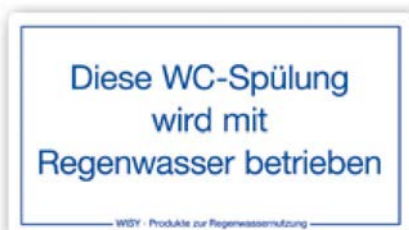
Cable coupling set (5-pin)

For proper labelling of rainwater pipework and system components (according to DIN 1988). To ensure clear identification and prevent cross connections during expansion, modification or repair work.

Labelling set	Item No.
<ul style="list-style-type: none"> ● Labelling set (in german language), contains all the labels required for a household. Consists of: <ul style="list-style-type: none"> 1 unit utility room label 5 units toilet label 5 units extraction point label 10 units rainwater label 10 m (32.8 ft.) underground pipework tape 	ZS 5000



Label for utility room



Label for toilet



Water extraction point label



Rainwater label



Underground pipework tape

RAINCOLLECTOR RS

- Integrated filter element with 0.28 mm filter mesh size
- Effective separation of dirt particles
- For installation in vertical downpipes
- 10-year guarantee
- Easy access to filter insert
- Safe drainage in accordance with DIN EN 752 and DIN EN 12056. Conforms to DIN 1989.
- Extremely low maintenance
- High oxygen enrichment



RainCollector RS **Clean rainwater** **for use in home** **and garden**



The RainCollector RS is installed in the vertical rainwater downpipe. It filters the runoff rainwater from the roof before discharging the filtered water through the outlet connection to the storage tank. Its filter insert is made of a fine stainless-steel mesh with a mesh size of only 0.28 mm. Leaves, moss and other debris entrained in the rainwater are reliably filtered out and flushed away through the downpipe to the soakaway or drain.

The downpipe stays clean!

As with all WISY filters, the cross-sectional area for rainwater flow does not change at any point inside the filter. Even a tennis ball could fall unobstructed through the filter.

UV-resistant housing

The housing of RainCollector RS is made of UV-resistant polypropylene, suitable for tropical sunlight. The filter insert is made of stainless steel. DN 100 downpipes can be connected directly. Smaller or square downpipes can be connected with an adapter.

10 years guarantee

The components are manufactured using the latest production techniques and are required to undergo the most rigorous quality control to ensure trouble-free operation. In the unlikely occurrence that the material does prove defective, WISY will guarantee replacement for 10 years.



The filter element is the heart of the RainCollector RS. It is made entirely of stainless steel and has a mesh size of only 0.28 mm. Dirt and debris are flushed away automatically so that the filter is largely self-cleaning.

The blind insert is available as an accessory and is inserted to direct all the rainwater off the roof straight into the drain. It is placed in the housing instead of the filter element to prevent the flow of filtered rainwater into the tank (e.g. during winter or when the tank is undergoing maintenance).



Example application:

The RainCollector RS installed in a rainwater downpipe and connected to a 500 litre Stabilix rainwater barrel by a WISY connecting hose

RainCollector RS

Item No.

- For metal downpipes DN 100 (outside diameter 102 mm)

white KF 4510
grey KF 4511
brown KF 4512

- For plastic downpipes DN 100 (outside diameter 110 mm)

white KF 4500
grey KF 4501
brown KF 4502

Accessories, see next page: RainCatcher RC

RAINCATCHER RC

- Automatically separates rainwater out of the downpipe to the rainwater barrel
- For installation in downpipes
- 10-year guarantee
- A simple device for collecting rainwater
- Extremely low maintenance
- Automatic overflow protection for the rainwater barrel



The RainCatcher RC is installed in the vertical rainwater downpipe. It diverts the rainwater to a garden barrel or storage tank without filtration. Coarse materials like leaves are getting separated downwards to the soakaway or drain.

Automatic overflow

Installed at the correct height, RainCatcher RC automatically functions as an overflow for the rainwater barrel. As soon as the rainwater barrel is full, it diverts any excess water to the storm drain or soakaway.

UV-resistant housing

The housing of RainCollector RS is made of UV-resistant polypropylene, suitable for tropical sunlight. DN 100 downpipes can be connected directly. Smaller or square downpipes can be connected with an adapter.

10 years guarantee

The components are manufactured using the latest production techniques and are required to undergo the most rigorous quality control to ensure trouble-free operation. In the unlikely occurrence that the material does prove defective, WISY will guarantee replacement for 10 years.

Housing cover



Housing

Free rainwater for your garden



Example application:
The RainCatcher RC installed in a rainwater downpipe and connected to the 420 litre Rainwater Pear by a WISY connecting hose

RainCatcher RC

Item No.

- For plastic downpipes DN 100 (outside diameter 110 mm)

white RC 0510
grey RC 0511
brown RC 0512

- For metal downpipes DN 100 (outside diameter 102 mm)

weiß RC 0520
grey RC 0521
brown RC 0522

Accessories for RainCatcher RC and RainCollector RS

Item No.

- Rainwater barrel connecting hose, 1 ¼".
Connects RainCatcher or RainCollector to a rainwater barrel, UV-resistant plastic spiral hose, length 42 cm (16.5 in.), with tension rin.

black 15803
white 15813
grey 15823
brown 15833



GARDEN RAINWATER COLLECTOR (GRS)



With automatic overflow protection, frost-proof, made of stainless steel.

Specially designed for garden rainwater barrels. For installation in rainwater downspouts/downpipes. Made entirely of stainless steel. Outlet to rainwater barrel: DN 50. Drainage safety according to DIN EN 12056 / EN 752, complies with DIN 1989.

- Available with or without filter insert (mesh size 0.44 mm (0.017 in.))
Extremely low-maintenance filter insert. Can simply be cleaned in a dishwasher.

Garden rainwater barrel

Item No.

For metal downspouts / downpipes

- with filter insert, height 10.5 cm (4 in.)

GRS 100 VA for nominal size	DN 100 (3.9 in.)	15711
GRS 87 VA for nominal size	DN 87 (3.4 in.)	15712
GRS 80 VA for nominal size	DN 80 (3.1 in.)	15713
GRS 76 VA for nominal size	DN 76 (2.9 in.)	15714
- without filter insert

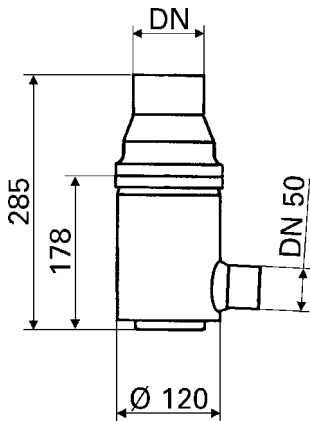
GRS 100 VA for nominal size	DN 100 (3.9 in.)	15701
GRS 87 VA for nominal size	DN 87 (3.4 in.)	15702
GRS 80 VA for nominal size	DN 80 (3.1 in.)	15703
GRS 76 VA for nominal size	DN 76 (2.9 in.)	15704

For plastic downspouts / downpipes

- with filter insert, height 10.5 cm (4 in.)

GRS 110 VA for nominal size DN 100 (3.9 in.), with outside diameter 110 mm (4.3 in.)	15715
GRS 76 VA for nominal size DN 70 (2.8 in.), with outside diameter 75 mm (3 in.)	15714
- without filter insert

GRS 110 VA for nominal size DN 100 (3.9 in.), with outside diameter 110 mm (4.3 in.)	15705
GRS 76 VA for nominal size DN 70 (2.8 in.), with outside diameter 75 mm (3 in.)	15704

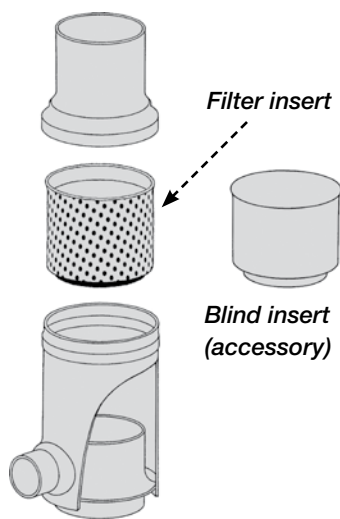


Spare Parts and Accessories

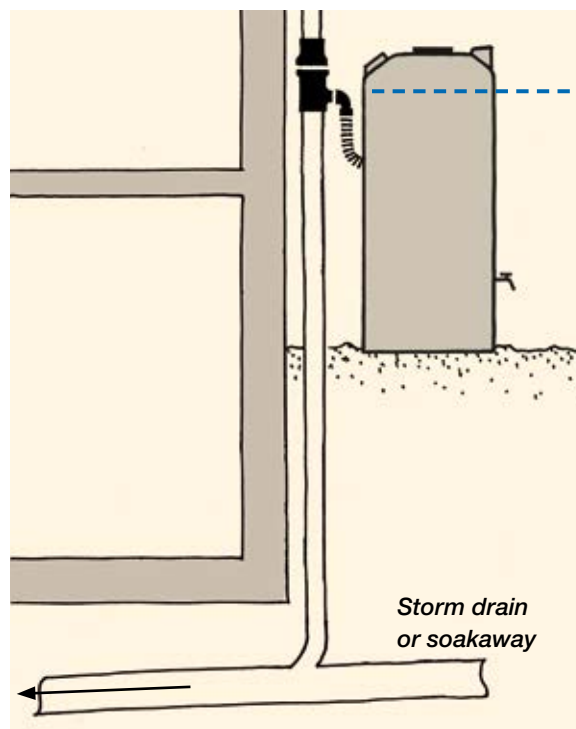
Item No.

- Filter insert of stainless steel, fits all nominal sizes.
Filters the rainwater from the roof. Height 10.5 cm (4 in.)
Mesh size 0.44 mm (0.017 in.) 15801
- Blind insert of stainless steel, fits all nominal sizes.
Ensures direct flow of rainwater into storm drain. 15802

Upper housing



Housing pot



With automatic overflow protection



For collecting rainwater. Tanks manufactured without seams from environmentally friendly and physiologically harmless polyethylene.

The solid wall thickness guarantees long life and frost resistance.

The storage volume of a Stabilix barrel of 500 l (US: 132 gallons) can be enlarged by connecting an optional number of Stabilix rainwater barrels to form one unit. The opaque colour (dark green) prevents the formation of algae. *The cover closes tightly to prevent flying insects from laying eggs inside the barrel.*

The rainwater barrel has a connection for a watering can tap and a free standing external pump. Thanks to its compact dimensions (dia. 70 cm / 27.6 in.), the Stabilix garden rainwater barrel fits through any standard basement door and can be used in the utility area.

Stabilix rainwater barrel Item No.

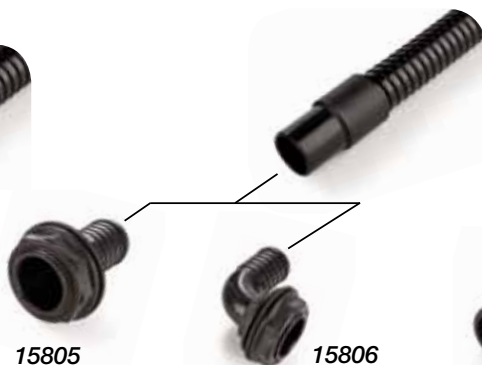
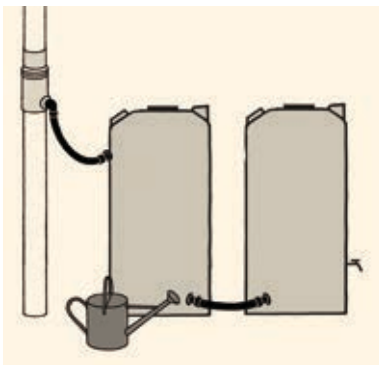
- **Stabilix rainwater barrel**
Rainwater collector inlet with seal for inlet connection 1 1/4", with blind plug, suitable for connecting hose 15803, pump connection/drain outlet 3/4" inside thread with 3/4" sealing plug, with prepared tap connection for watering can 3/4" (tap optional), rainwater barrel with screw cover DN 400 GT 5100

Accessories for Stabilix rainwater barrel Item No.

- 3/4" drain tap ZH 0402
- Rainwater barrel connecting hose, 1 1/4".
Connects the garden rainwater filter/collector with a rainwater barrel. UV-resistant plastic spiral hose, length 42 cm (12.5 in.), with tension ring. 15803
- Rainwater barrel link hose, 1 1/4".
For connecting two rainwater barrels. UV-resistant plastic spiral hose, length 42 cm (12.5 in.). 15804

Connecting parts for rainwater barrels Item No.

- Tank connector, 1 1/4", for connecting the hose directly to the barrel.
Straight 15805
90° angle 15806
- Hose coupling, for connection of two hoses. 15807
- Tank connector, 1 1/4",
suitable for tank wall thickness of at least 7 mm.
For use with straight or angled adapters. 15808
- Adapters 1 1/4" for tank connector 15808.
Straight 15809
90° angle 15810



THE RAINWATER PEAR

NEW!

Rainwater barrel or storage container!

420 litre storage capacity. Made of high-quality PE material. Lid can be lifted off to fill watering cans. The Rainwater Pear can be connected directly to a downpipe filter. Oval shape makes cleaning easy. Made of UV-stabilized material for UV resistance. Can also be used as a storage container for sports equipment, balls, children's toys, etc., in or around the house.



Technical data:

- Storage capacity: about 420 litres
- Height: 1120 mm
- Diameter: 950 mm
- Weight: 16 kg

Accessories available:

Rainwater filter for installation in the downpipe with connection kit, garden pump, overflow elbow, inflow filter.

The Rainwater Pear

- The Rainwater Pear

Item No.

RB 0420

GARDEN RAINWATER SET



Garden rainwater set

consists of:

- Stabilix rainwater barrel
- Garden rainwater collector (GRS) DN 100 VA
- Rainwater barrel connecting hose
- Tap



Item No.

GT 5300

BETA SUBMERSIBLE GARDEN PUMP



Beta 1200



Beta 1000

with direct suction

A submersible pump for pumping clean water for garden and landscaping applications. Normal priming, multi-stage submersible pressure pump with integrated control system – a sensor monitors water requirements, controls the pump electronically and provides dry run protection. Models with 1" nozzle or 1 1/4" (inside thread) suction inlet for connecting floating suction filters. With 3 m (9.8 ft.) lifting strap and 15 m (49.2 ft.) connecting cable.

Beta	Maximum delivery rate	Maximum delivery head	Connection suction end	Connection discharge end
1000	95 l/min.	36 m (360 kPa)	Direct suction	1" inside thread/ UA*
1000T	95 l/min.	36 m (360 kPa)	1" nozzle	1" inside thread/ UA*
1000X	95 l/min.	36 m (360 kPa)	1 1/4" inside thread	1" inside thread/ UA*
1200	95 l/min.	48 m (480 kPa)	Direct suction	1" inside thread/ UA*
1200T	95 l/min.	48 m (480 kPa)	1" nozzle	1" inside thread/ UA*
1200X	95 l/min.	48 m (480 kPa)	1 1/4" inside thread	1" inside thread/ UA*

*UA = Universal connection (3/4" nozzle, 3/4" outside thread, 1" nozzle 1" outside thread)

The floating suction filter is ideal for use with the Beta pump



Floating fine suction filter SAFF

Beta submersible garden pump

Item No.

● Beta 1000	GP 5010
● Beta 1000T	GP 5050
● Beta 1000X	GP 5055
● Beta 1200	GP 6010
● Beta 1200T	GP 6050
● Beta 1200X	GP 6055

► **Accessories:** For suction connections and pressure hoses see page 59 and ff.
For fittings/spare parts see pages 62-64



Beta 1000X/1200X
With 1 1/4" inside thread for the connection of a floating suction filter.



Beta 1000T/1200T
With 1" nozzle for the connection of a floating suction filter.

Set with floating fine suction filter SAFF

Item No.

● Set for submersible pumps with 1" nozzle, SAFF 1", high-flexibility hose 1"	SS 9935
● Set for submersible pumps with 1 1/4" inside thread, SAFF 1", high-flexibility hose 1", with screw connection	SS 9931

Set with floating coarse suction filter SAGF

Item No.

● Set for submersible pumps with 1" nozzle, SAGF 1", high-flexibility hose 1"	SS 9905
● Set for submersible pumps with 1 1/4" inside thread, SAGF 1", high-flexibility hose 1", with screw connection	SS 9901

TERMS OF SALES, SUPPLY AND PAYMENT

1. General

Our supplies are solely based on the following terms of sales, supply and payment. Additions of a buyer only become effective with our explicit agreement.

2. Offer, conclusion of a contract, writing

2.1. All terms of a contract have to be specified finally in writing. Verbal special agreements do not become part of the contract.

2.2. Our offers are always without obligation. After the buyer places the order, the contract will be reached by the supply and/or by our written confirmation of order, if desired by the buyer.

3. Prices, terms of delivery

3.1. Supplies for which not expressly fixed prices are agreed upon, are charged in Euros at the list price which is valid on the day of the delivery.

3.2. Our prices and the supplies are ex works Kefenrod plus the value added tax prescribed by law. Packing and transport costs and other additional expenses are charged to the buyer.

4. Terms of payment, compensation, retention

4.1. Our invoices have to be paid within 30 days without any discount.

4.2. If the fixed payment periods are exceeded, we are entitled to claim default interest starting from first day of delay at rate of 5% over the respective basic interest rate of the European central bank and expenses without proof. The proof of further damage remains reserved to us.

4.3. Bills of exchange are taken by us only with a special agreement. All expenses and other costs are charged to the buyer. The taking in of bills of exchange and cheques takes place always only in execution.

4.4. If a substantial degradation of the financial circumstances of the buyer happens, we are entitled to refuse further supplies until all of our claims whether due or not, are paid or security for them is given.

4.5. If a substantial degradation of the financial circumstances of the buyer happens, we are entitled to quit all credits of goods and require the immediate payment of all unpaid goods deliveries. The same is valid if the buyer stops his payments, moves for a judicial agreement, files for bankruptcy proceedings, or if he asks for an agreement out of court. The same is valid if the buyer stops his payments, moves for a judicial agreement, files for bankruptcy proceedings, or if he asks for an agreement out of court.

4.6. The buyer can charge or withhold payments only on undisputed or juridical stated demands. In case of the refusal of payments the demand must be based on the same contractual relation.

5. Delivery and delivery times

5.1. Periods and dates for delivery are only approximate. We try to deliver as punctually as possible. No claim for damages is entitled to the buyer because of late supply. The execution of delivery presupposes the punctual issue of all necessary permissions and releases as well as the punctual receipt of all documents to be supplied by the buyer. If these conditions are not fulfilled without justifiable reasons, periods and dates extend accordingly.

5.2. The period and/or the date are considered set if the shipment is delivered to the dispatch within the agreed period and/or to the agreed date. If dispatching is delayed for reasons of the buyer's responsibility, the period is considered set if we announced the shipment is ready for delivery to the buyer within the agreed period.

5.3. If the non-compliance of one period or date is due to force majeure or to other unforeseeable obstacles concerning our factory, which are not justifiable from our side or which took place and/or we received knowledge of the situation after the contract conclusion, then the period and/or the date extend appropriately. This is valid also in cases of unforeseeable events, which have an effect on the enterprises of our pre-suppliers and which neither of them nor from us has to be justified.

5.4. If for reasons, which are not due to our responsibility, the delivery does not take place in time or the execution of the delivery is interrupted, disturbed or made more difficult, we can demand replacement of our costs which may result from this.

5.5. Partial deliveries are permissible if they are not expressly contradicted.

6. Guarantee

6.1. We guarantee that our deliveries are faultless at the time the transition of the risk in the sense of the legal requirements.

6.2. The rebuke of defect prescribed due to §§ 377 and 378 HGB (duty for investigation and rebuke) is to report in writing immediately, at the latest within 10 days after receipt of the goods at the place of destination.

6.3. In case of a rebuke of defect reported in time or a complaint and an entitled protest the defect products or not as agreed delivered commodities are taken back and replaced by perfect commodities at our expense or, due to our choice, the defects are repaired at our expense.

6.4. In case of absence of an assured characteristic the claim for damages is limited on the commodity value, unless rough fault or intent is given.

6.5. Further claims of guarantee in the sense of the legal requirements are excluded. In the context of the warranty in particular any costs of freight, packing and/or of the installation of the delivered articles are charged to the buyer.

6.6. Goods which are returned for reasons for which WISY bears no responsibility can be accepted after inspection of the returned goods only if the products are unused and are in a visually and technically perfect condition. WISY will always charge 30% of the invoice amount to cover the costs incurred in receiving returned goods.

7. Retention of title

We maintain possession of the sold goods (retention commodities) until complete payment is received, including future demands and additional expenses incurred from the current business relation with the buyer.

The buyer is authorized to resell and/or to process the retention commodities following proper business guidelines. For security purposes, the claims against others as a result of reselling are handed over to us by the buyer in total or at the height of the share of our co-ownership. For security purposes - in case of a delay of payment, a termination of payment, a judicial agreement or bankruptcy proceedings - claims against others from the resale at the height of the original invoice amounts are handed over to us, without demand for a special agreement in individual cases.

8. Folders, designs, models

8.1. The reproduction of our folders and designs as well as the rebuilding of our models, also partially, is only permitted with our written permission. For designs, models and other documents, excluded folders, we reserve ourselves the property and copyright. The data in the folders, designs and models concerning performances, load capacities, dimensions, weights and similar data are noncommittal approximate values. We reserve ourselves modifications in measurement and construction due to further technical development.

8.2. On the date of publication of the valid price list, all previous price lists are fully superseded and made invalid with respect to their pricing, technical descriptions, explanations and quantified data. Only the currently valid price list is legally valid with respect to the price list contents stated above.

9. Place of delivery, area of jurisdiction

9.1. The international competence of the German courts is agreed. Place of delivery is Kefenrod, place of jurisdiction is Friedberg. We reserve ourselves however the right to file a suit at the place of the buyer.

9.2. It is valid per the right of the Federal Republic of Germany.

10. Final clauses

10.1. In case of legal inefficacy of individual points, the contract remains obligatory in its remaining parts. Any ineffective regulation has to be replaced by new regulations, which join the desired economic success as good as possible.

10.2. All contractual agreements require writing. Confirmed correspondence is sufficient.

10.3. In case of doubt German Original Text shall prevail.

March 1st, 2017

Maracanã Stadium, Rio de Janeiro

18 Vortex Fine Filter WFF 300 are installed in the Maracanã Stadium, Rio de Janeiro. The stadium with a spectator capacity of 74,738 has been equipped with a WISY rainwater harvesting system since it hosted the Football World Cup in 2014. Since this system has been in operation, rainwater has been used to irrigate the playing turf and flush the toilets.



Haus der deutschen Wirtschaft („House of German Economy“), Berlin

The initiative shown by the central associations of German economy to invest in rainwater harvesting and rainwater utilisation is exemplary. After being cleansed in two Vortex Fine Filter WFF 300 the collected rainwater gets stored in a 280 m³ cistern and then used to flush the toilets and to guarantee the supply of water for the fire sprinkler system.



„Kiara Heights“ residential tower, Kuala Lumpur

Rainwater is removed by siphonic drainage from a roof area of 9,500 m² in size and conveyed down to the level 4 basement. Here, it is filtered by six WFF 300 vortex fine filters and stored in a 220 m³ underground tank. It is used to flush toilets and irrigate the gardens.





WISY AG

Filtration | Building Services | Rainwater

Oberdorfstraße 26
63699 Kefenrod-Hitzkirchen
Germany

Telephone +49 60 54 - 91 21-0
Telefax +49 60 54 - 91 21-29
Email info@wisy.de
Internet www.wisy.de

Sales

Telephone +49 60 54 - 91 21-33
Telefax +49 60 54 - 91 21-29

Ordering/Billing

Telephone +49 60 54 - 91 21-25
Telefax +49 60 54 - 91 21-28

Technical Support

Telephone +49 60 54 - 91 21-77
+49 60 54 - 91 21-78

**Made in Germany –
With WISY you choose quality and
long lasting utility!**

AHA049-E-V01-20170303 / Subject to changes



We reserve the right to make technical changes.