

INSTALLATION AND OPERATION

ADVANCED BILGE FEATURES

- ◆ Anti-Airlock
- ◆ Tough Nylon Housing
- ◆ Tinned 6' Wire Assembly
- ◆ Water Cooled Motor
- ◆ Submersible
- ◆ Ignition Protected
- ◆ ISO 8846, ABYC, NMMA Type
- ◆ Accepted, CE

MOUNTING

- ◆ Locate the pump in the deepest position in the bilge. Keep away from high heat source.
- ◆ Mount quick disconnect bracket to bulkhead or stringer with #10 S.S. screws. Do not drive screws through hull.
- ◆ Route smooth I.D. discharge tubing to a thru-hull fitting well above the water line. Avoid any sagging or loops in the tubing. Tubing must go up from the pump to the thru-hull fitting.

ELECTRICAL

Use 16GA wire for all circuits. If installation is over 20 feet, use 14GA wire. Brown pump wire must be hooked to positive power for maximum flow. Wire is tinned to prevent corrosion.

PANEL SWITCH

Attach all wires to UL Marine approved duty switch with auto-off-manual, rated at or above 15 amps.

FUSE

Install a fuse per pump label specifications.

CONNECTIONS

Wire connections should be made above the highest possible water level. Seal wire connections to prevent corrosion and electrolysis.

OPERATION

Do not run pump dry. Always test pump and switch before leaving dock.

MANUAL MODE

To turn pump on, turn manual power switch on. If pump does not turn on, turn switch off, check power, fuses, connections, wires. Retry. If pump does not turn on, check pump motor.

FLOW GPH [LPH]

FLOW GPH [LPH]						TECHNICAL DATA				
Name	Voltage	Model #	0' [0m]	3' [1m]	6' [2m]	Max. Head ft. [m]	Max. Amps	Fuse	Outlet Port	Dims.
1500	12V*	358-000-00	1800 [6813]	1700 [6434]	1600 [6056]	14 [4.27]	8	10	1-1/8"	7-1/4" x 6"
2000	12V*	358-010-00	2200 [8327]	2000 [7570]	1900 [7191]	18 [5.5]	10	15	1-1/8"	7-1/4" x 6"
1500	24V	358-100-00	1800 [6813]	1700 [6434]	1600 [6056]	14 [4.27]	4	6	1-1/8"	7-1/4" x 6"
2000	24V	358-110-00	2200 [8327]	2000 [7570]	1900 [7191]	18 [5.5]	5	6	1-1/8"	7-1/4" x 6"

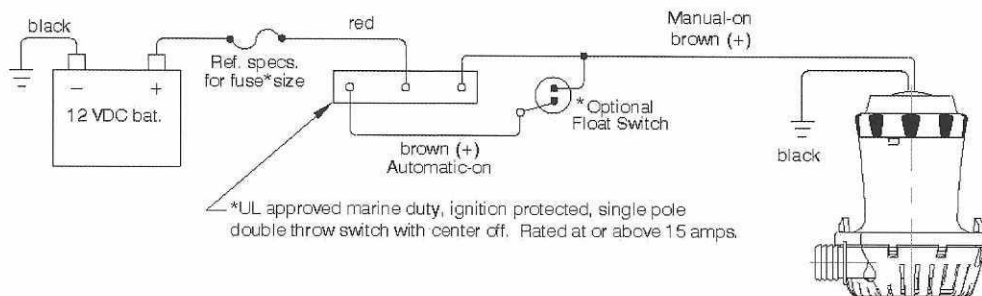
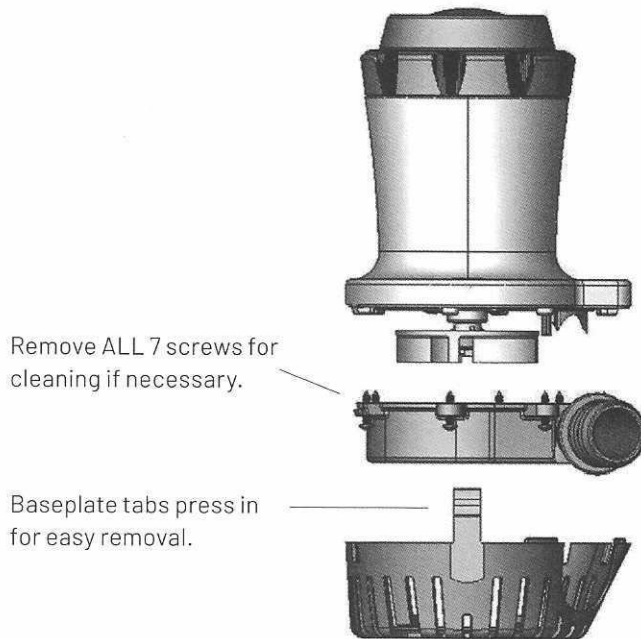
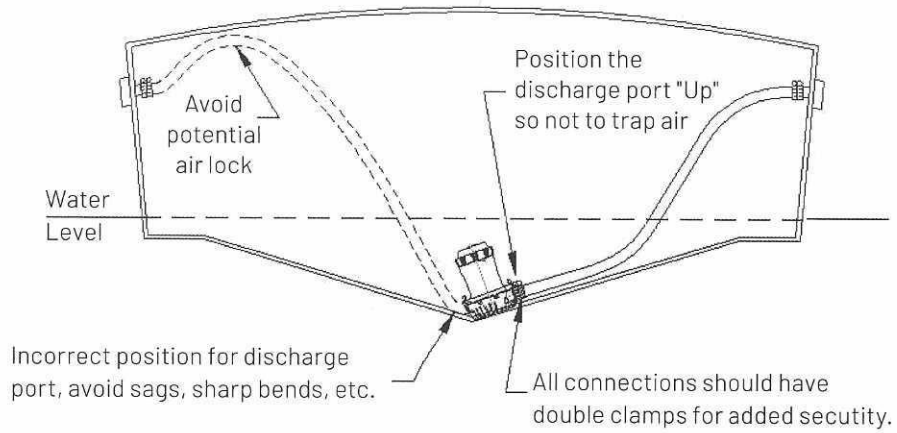
*Specifications given at design voltage 13.6 VDC per ABYC recommendations.

Pump Power leads: 6 ft. [1.8 M] #16 tinned stranded copper wire to minimize corrosion. Positive (+) brown; Ground (-) black.

Temperature limits: 33°F–140°F [0°C–60°C]. All models rated for continuous duty.

Approvals: Ignition Protected, ISO 8846, ABYC, NMMA Type Accepted, CE.

INSTALLATION AND OPERATION



NOTE: Typical circuit only, consult boat wiring diagram.

TROUBLESHOOTING

CONDITION	PROBABLE CAUSE
NO WATER PUMPED / PUMP NOT RUNNING	<ul style="list-style-type: none">◆ Blown fuse.◆ Wire connections.◆ Impeller or float switch plugged with debris.
REDUCTION IN WATER FLOW	<ul style="list-style-type: none">◆ Impeller/screen plugged with debris.◆ Pinch/clogged discharge tubing.◆ Discharge tubing sagging below pump causing air lock.◆ Tubing must go up from pump to thru-hull fitting.◆ Low voltage to pump; check battery/wire connections.
LOW FLOW	<ul style="list-style-type: none">◆ Polarity reversed; check wiring.◆ Use only smooth bore (I.D.) discharge tubing.◆ Is thru-hull fitting I.D. smaller than pump discharge port?