

# LEVEL PROBE

Data Sheet

## TECHNICAL FEATURES

Reed contract level switch sensor

Resistant to high temperature between -10 / + 80°C

Available in 3 configurations with wires to terminal block with BNC and SCREW connector.

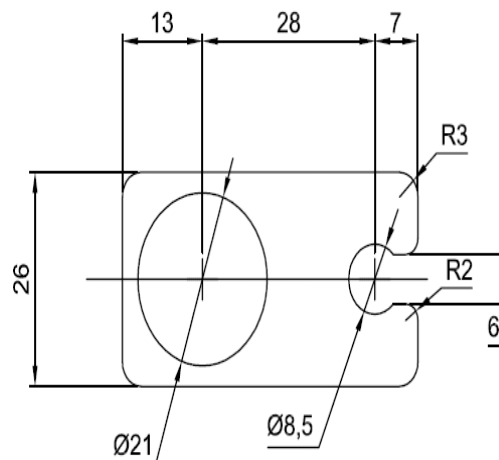
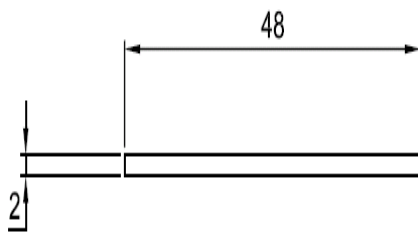
Support bracket available



“Wired” version

“BNC” version

“Screw” version

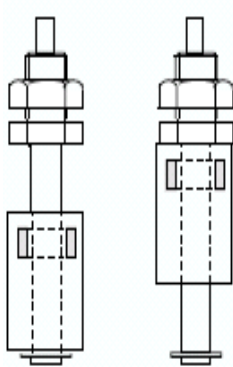


## SPECIFICATIONS

Max switching	50 VA	Current max switching	0,5 A
Max switching voltage	300 Vac	Withstand voltage	500 Vdc
Maximum current	2,5 A	Contact resistance	150 mΩ
Insulation Resistance	100 MΩ	Body	Polypropilene
O-ring	Silicone	Uses	water and acids
Weight	37 gr.	Cable	PVC 2 mt

# LEVEL PROBE

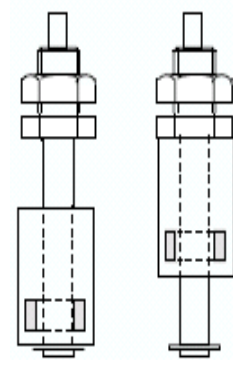
Data Sheet



Sensor low contact blocked

Sensor High contact open

Inversion of the function by turning the float



Sensor low contact open

Sensor high contact blocked

